

专业品质 值得信赖
Customer trust comes from quality



普林斯实业（香港）有限公司
Blince Industry (HK) Limited

东莞市普林斯机电设备有限公司
Dongguan Blince Machinery & Electronics Co., Ltd.

Tel : +86 0769-85156586 Mobile/Wechat : +86 18688626518

E-mail : david@blince.com 网址 : www.blince-hydraulic.com

地址 : 广东省东莞市长安镇沙头社区S358省道891号

ADD : No.891 Provincial Highway S358, Shatou Community, Chang' an,
Dongguan City, Guangdong

样本中产品在持续研发和改进，变更后恕不另行通知。
The manufacturer will change the specifications without notice in order to improve the products constantly.

制造与服务一体化

INTEGRATION OF MANUFACTURE AND SERVICE

ISO9001-2015质量体系认证企业

铝合金风冷式冷却器
Air Cooled Heat Exchanger

列管式换热器
Tube Heat Exchanger

不锈钢板式换热器
Plated Heat Exchanger



普林斯液压
BLINCE HYDRAULIC

Excellent Quality Is The Best Seller



东莞市普林斯机电设备有限公司
Dongguan Blince Machinery & Electronics Co., Ltd.



普林斯液压
BLINCE HYDRAULIC



让世界爱上中国造，我们一直在努力！
We could be your hydraulic oil cooling solution partner!

普林斯简介

WHAT WE DO?

东莞市普林斯机电设备有限公司创建于2004年，是一家专业研发、生产、销售液压元件的工贸一体型企业。公司紧跟时代潮流，06年便开始拓展互联网市场，迄今已经是国内专业的液压电商企业之一。近几年又与美国PARKER、意大利BREVINI等多家世界百强企业签署战略合作协议。如今普林斯已突破地理的局限，业务遍及全国，几乎可以为所有的工业领域提供专业的服务及产品，从机床、塑料机械、橡胶机械、冶金、汽车工业、木工机械到矿山机械、钻探机械、海事工程、建筑及农业机械、船舶等。为了更好的走出国门拓展国际业务，公司于12年成立普林斯实业（香港）有限公司。经过数年打拼，目前国际业务范围已经遍及东南亚、西欧和中东等地区。

Since 2004 years



OUR VALUE MESSAGE

使命：振兴民族工业，为中国液压走向世界而奋斗，让普林斯每一位家人都能衣锦还乡。
愿景：成为世界液压领域的新星，做幸福感最强的企业。
价值观：诚信、勤奋、信任、开拓、创新、共赢。

Quality is our culture



OUR MISSION

“BLINCE”品牌是普林斯实业（香港）有限公司与东莞市普林斯机电设备有限公司于12年在国家商标局申请注册通过的自主品牌。该品牌专注于产品的质量与售后服务，致力于改善中国液压产品在世界低价格、低质量、低技术的尴尬局面，为中国液压走向世界而奋斗。
定位：只做高品质液压件，只提供高质量服务。
“BLINCE”是实战派也是实力派，不参与市场混乱的价格竞争，不为一时的利益，脚踏实地的做好产品加工的每个环节，不做低质低价的产品，只做优商优品优服务。

We have a Chinese dream



生产流程



研发设计模型



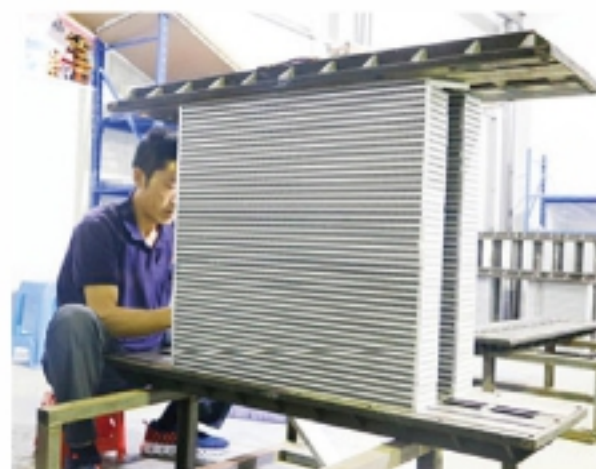
原材料准备



翅片成型



超声波清洗



芯体装配



钎焊炉



氩弧焊



测试泄露



质检



装配



包装入库

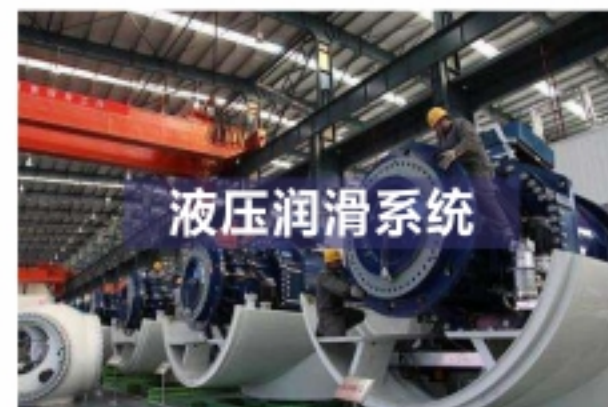


服务中心

往届参展



运用领域



目录 Contents

01 定制非标产品展示 Custom Products Display

- 01-02 定制非标液压系统 Customized Hydraulic System
- 03-04 定制非标工程机械换热器 Construction Machine Radiator

02 风冷式油冷却器 Air-Cooled Oil Cooler

- 05-07 AW系列 AW Series
- 08-16 AH系列 AH Series
- 17-21 AD系列 AD Series
- 22-26 HDC系列 HDC Series
- 27-53 DX系列 DX Series
- 54-59 H系列 H Series

03 管壳式换热器 Tube Heat Exchanger

- 60-61 OR系列 OR Series
- 62-63 DC系列 DC Series
- 64-65 HKDL-P系列 HKDL-P Series

04 工业油冷机 Industrial Oil Chiller

- 66-69 AKP系列 AKP Series

05 板式换热器 Plated Heat Exchanger

- 70-72 HBR系列 HBR Series

06 实用工具页 Utility Tool Page

- 73-74 如何选择换热器 How to Choose A Heat Exchanger
- 75 风冷的使用说明书 Instruction of Aired Oil Cooler
- 76 各国电压一览表 World Industrial Voltage Table
- 77-78 国际单位换算表 International Unit Converaing Table
- 79 流速表 Flowing Speed Table



风冷选型表 Selection Table of Air-Cooled Heat Exchanger

AW	额定流量 Rated Flow	工作压力 Working Pressure	风扇功率 Fan Power	风扇电压 Fan Voltage	牙口 Rc/PT"	尺寸 LxHxW(mm)	认证 Approval	页次 Page
AW0607T-CA	20L/min	≤2MPa	30W	380V/220V/12V/24V	G ½"	250x107x191mm	CE, ISO9001	06
AW1417T-CA	150L/min	≤2Mpa	75W-160W	380V/220V/24V	2-ZG1"	568x405x245mm	CE, ISO9001	07
AH	额定流量 Rated Flow	工作压力 Working Pressure	风扇功率 Fan Power	风扇电压 Fan Voltage	牙口 Rc/PT"	尺寸 LxHxW(mm)	认证 Approval	页次 Page
AH0608T-CA	60L/min	≤2MPa	30W	380V/220V/12V/24V	G ¾"	315x115x200mm	CE, ISO9001	08
AH0608TL-CA	60L/min	≤2Mpa	30Wx2	380V/220V/12V/24V	G ¾"	412x125x200mm	CE, ISO9001	09
AH1012T-CA	100L/min	≤2MPa	60W-120W	380V/220V/12V/24V	G1"	425x215x355mm	CE, ISO9001	10
AH1417T-CA	150L/min	≤2Mpa	140W-160W	380V/220V/12V/24V	G1"	570x433x340mm	CE, ISO9001	11
AH1470T-CA	200L/min	≤2MPa	140W-160W	380V/220V/12V/24V	2G1 ¼"	570x340x430mm	CE, ISO9001	12
AH1490T-CA	250L/min	≤2Mpa	140W-160W	380V/220V/12V/24V	2G1 ¼"	570x370x435mm	CE, ISO9001	13
AH1680T-CA	300L/min	≤2MPa	420W-450W	380V/220V	2G1 ½"	800x375x605mm	CE, ISO9001	14
AH2431T-CA	450L/min	≤2Mpa	700W-780W	380V/220V	2G1 ½"	900x400x710mm	CE, ISO9001	15
AH3818T-CA	600L/min	≤2MPa	900W	380W	3-G2"	930x510x995mm	CE, ISO9001	16
AD	额定流量 Rated Flow	工作压力 Working Pressure	风扇功率 Fan Power	风扇电压 Fan Voltage	牙口 Rc/PT"	尺寸 LxHxW(mm)	认证 Approval	页次 Page
AD1417T-CA	150L/min	≤2MPa	140W-160W	380V/220V/24V	ZG1"	470x335x550mm	CE, ISO9001	17
AD1470T-CA	200L/min	≤2Mpa	140W-160W	380V/220V/24V	ZG1 ¼"	470x350x550mm	CE, ISO9001	18
AD1490T-CA	250L/min	≤2MPa	140W-160W	380V/220V/24V	3-ZG1 ¼"	510x350x620mm	CE, ISO9001	19
AD1680T-CA	300L/min	≤2Mpa	180W	380V/220V	3-ZG1 ½"	510x365x620mm	CE, ISO9001	20
AD1890T-CA	350L/min	≤2MPa	250W	380V/220V	3-ZG1 ½"	660x400x740mm	CE, ISO9001	21
HDC	额定流量 Rated Flow	工作压力 Working Pressure	风扇功率 Fan Power	风扇电压 Fan Voltage	牙口 Rc/PT"	尺寸 LxHxW(mm)	认证 Approval	页次 Page
HDC80L-CA	80L/min	≤2MPa	50W-160W	380W/220V/24V	G1"	425x160x355mm	CE, ISO9001	22
HDC120L-CA	120L/min	≤2Mpa	50W-160W	380W/220V/24V	G1"	495x365x160mm	CE, ISO9001	23
HDC200L-CA	200L/min	≤2MPa	50W-160W	380V/220V/24V	2-G1 ¼"	506x166x500mm	CE, ISO9001	24
HDC300L-A2	300L/min	≤2Mpa	75Wx2-160Wx2	380V/220V/24V	2-G1 ¼"	750x280x580mm	CE, ISO9001	25
HDC450L-A2	450L/min	≤2MPa	60Wx4-120Wx4	380V/220V/24V	2-G1 ¼"	860x260x760mm	CE, ISO9001	26
DX	最大流量 Max Flow	最高压力 Max Pressure	电机功率 Fan Power	使用电压 Fan Voltage	进出口螺纹 Inlet&Outlet Thread	测温口螺纹 Thermometric Thread	冷却能力 Cooling Capacity	页次 Page
DXB	100-1000L/min	25-35bar	0.55-4x2KW	380W/220V	G1"-G2"	G3/8"	12-260KW	27
DXC	50-600L/min	25-35bar	33-250x4W	380W	G ¼"-G1 ½"	G3/8"	5-80KW	30
DXD	50-700L/min	35bar	16-160x2W	12V/24V	G ¼"-G1 ½"	G3/8"	4-65KW	33
DXF	100-1000L/min	25-35bar	0.55-4x2KW	380V/415V/440V/660V	G1"-G2"	G3/8"	12-260KW	36
DXH	100-1000L/min	25-35bar	/	380V	G1"-G2"	G3/8"	12-260KW	39
DXDL/A	20-250L/min	25bar	0.55-4x2KW	380V/220V/415V/440V/660V	G1"-G2"	G3/8"	12-260KW	42
DXDL/B	10-75L/min	25bar	33-250x4W	380V/220V/415V/440V/660V	G ¼"-G1 ½"	G3/8"	3-80KW	45
DXZX	20-100L/min	25bar	0.75-5.5KW	380V/220V/415V/440V/660V	G1"-G1 ½"	G3/8"	12-120KW	48
DX	18-25L	25bar		24V/12V				51
H	最大流量 Max Flow	最高压力 Max Pressure	电机功率 Fan Power	使用电压 Fan Voltage	风扇转速 Fan Speed	噪音 Noice Level	冷却能力 Cooling Capacity	页次 Page
HT	1-55L/min	30bar	0.06-11KW	380V/220V/12V/24V	1000-3250rpm	57-100dB	1-260KW	54
HLK	200-500L/min	45bar	0.25-5KW	380V/12V/24V	2500-3000rpm	60-75dB	31-70KW	57

定制非标产品展示 Non-Standard Products Display

本系列产品特别选用重量轻、抗震强度佳、热交换效率高的铝合金材料制成。

在结构上，散热管内另有翅片，更大幅度地增大散热面积，加快热传递速度。在风扇作用下，以空气为冷却源，将热量强制带走，从而获得低成本、高效率的冷却效果，并符合节能、节水、环保的要求，是为市场上最为推崇的冷却器。

DONGXU hydraulic system is matched with metal calender, shearer, longitudinal shear machine, metal packing machine, keel shaping machine, metal forming machine, aluminum extrusion machine, aluminum straightening machine, aluminum tractor, aluminum cold bed, oil pressure cutting machine, elevator vulcanizing machine, CNC machine, plastic machinery, ship hydraulic pressure, woodworking machinery, shoe machine, foaming machine, broaching machine.

"Excellent quality is the best seller"

We only delivery the high-end products with our brand and I da believe it is a right way! Our DONGXU brand name is quality guarantee in the market!



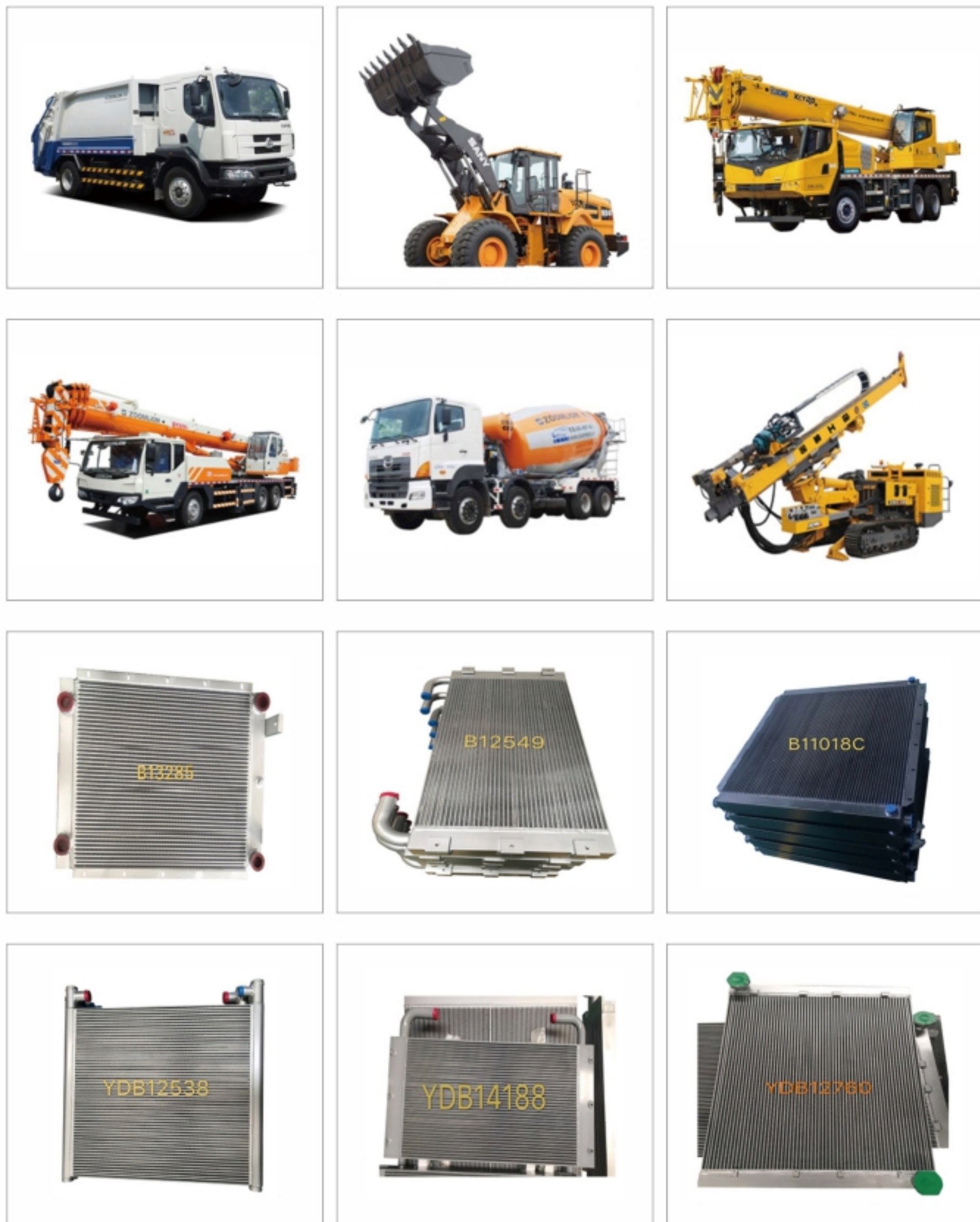
液压系统产品展示 Customized Hydraulic System Display

液压系统可支持定制，详情请联系本公司技术部
Support customized hydraulic system for your specific using, please directly contact us Tech Dept.



定制非标各种工程机械换热器展示

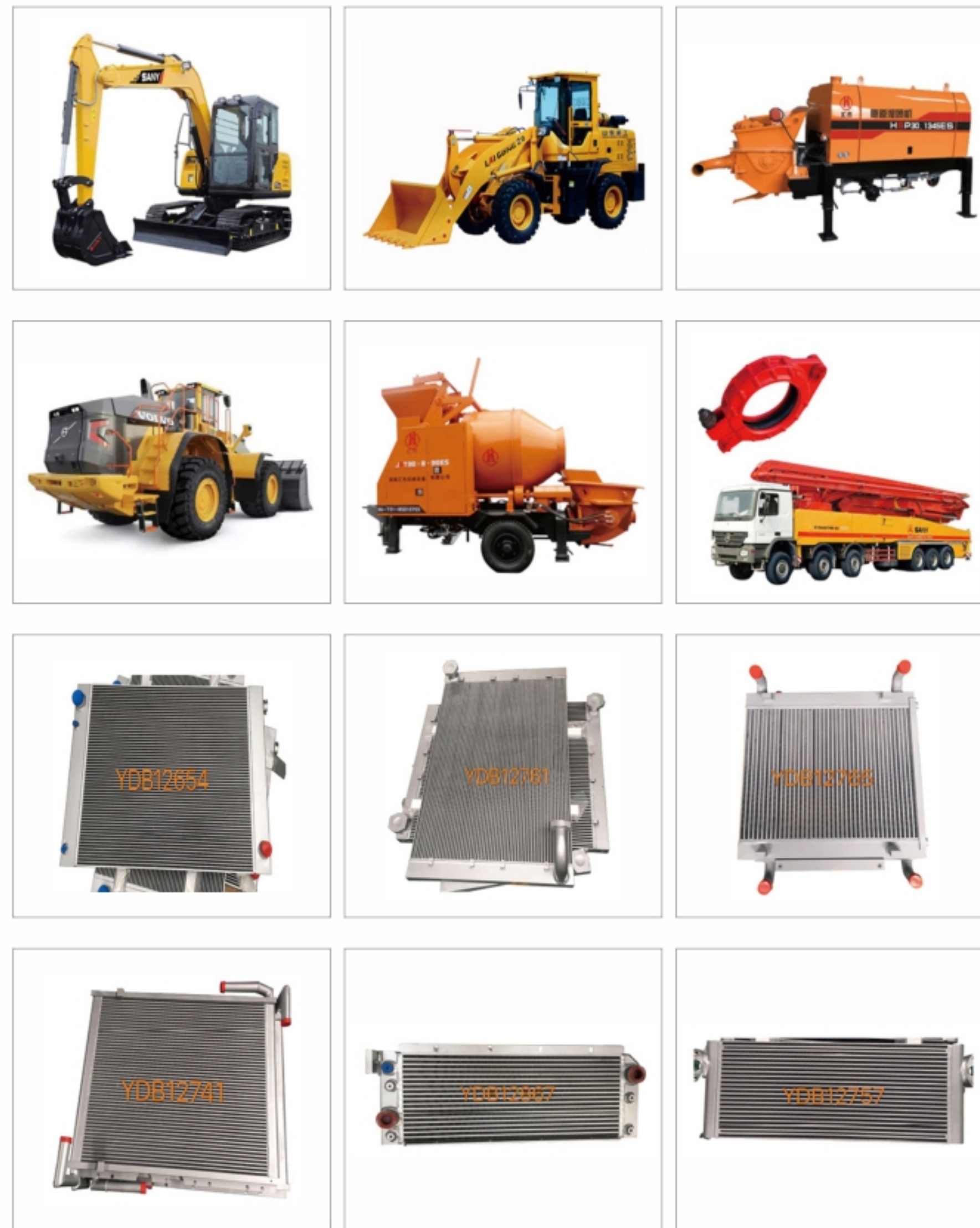
CUSTOMIZED NON-STANDARD VARIOUS ENGINEERING MECHINE HEAT EXCHANGERS DISPLAY



非标系列
Non-Standard Series

定制非标各种工程机械换热器展示

CUSTOMIZED NON-STANDARD VARIOUS ENGINEERING MECHINE HEAT EXCHANGERS DISPLAY



非标系列
Non-Standard Series

风冷式油冷却器 Air-Cooled Oil Cooler

概述 Introduction

本系列产品特别选用重量轻、抗震强度佳、热交换效率高的铝合金制成。在结构上，散热管内另有翅片，更大限度地增大散热面积，加快热传递速度。在风扇作用下，以空气为冷却源，将热量强制带走，从而获得低成本、高效率的冷却效果，并符合节能、节水、环保的要求，是为市场上最为推崇的冷却器。

优点 Advantages

1. 环保，节能，维护简单，运行成本低。
2. 结构紧凑，散热面积大，热交换效率高。
3. 使用寿命长、工作压力高、可用于系统的回油冷却、泄油冷却和独立回路冷却。
4. 操作简单，安装方便，故障率低。
5. 安全，万一发生冷却器破裂，不会像水冷却器那样造成水油混杂，对液压（润滑）系统造成致命的损坏。
6. 适用流体温度：10°C ~ 180°C，适应环境温度：-40°C ~ 100°C

“High performance ensures cooling experience”

We are keeping R&D more modular products in order to increase the heat dissipation area and speed up the heat transfer.



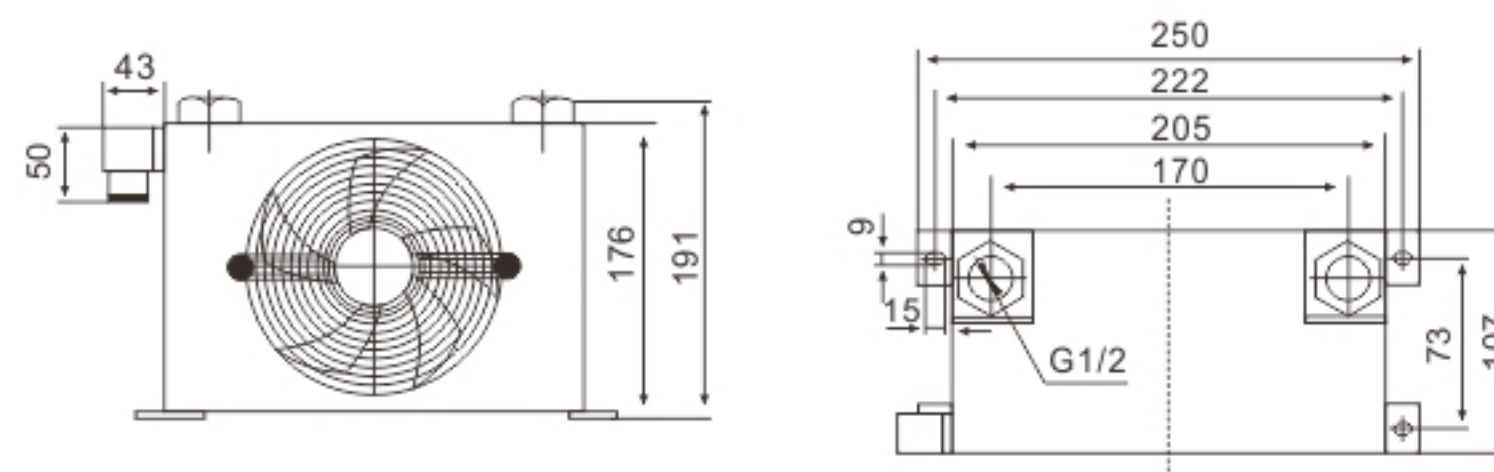
AW0607T-CA风冷式油冷却器 AW0607T-CA Air Cooled Heat Exchanger

产品规格 Product Specification

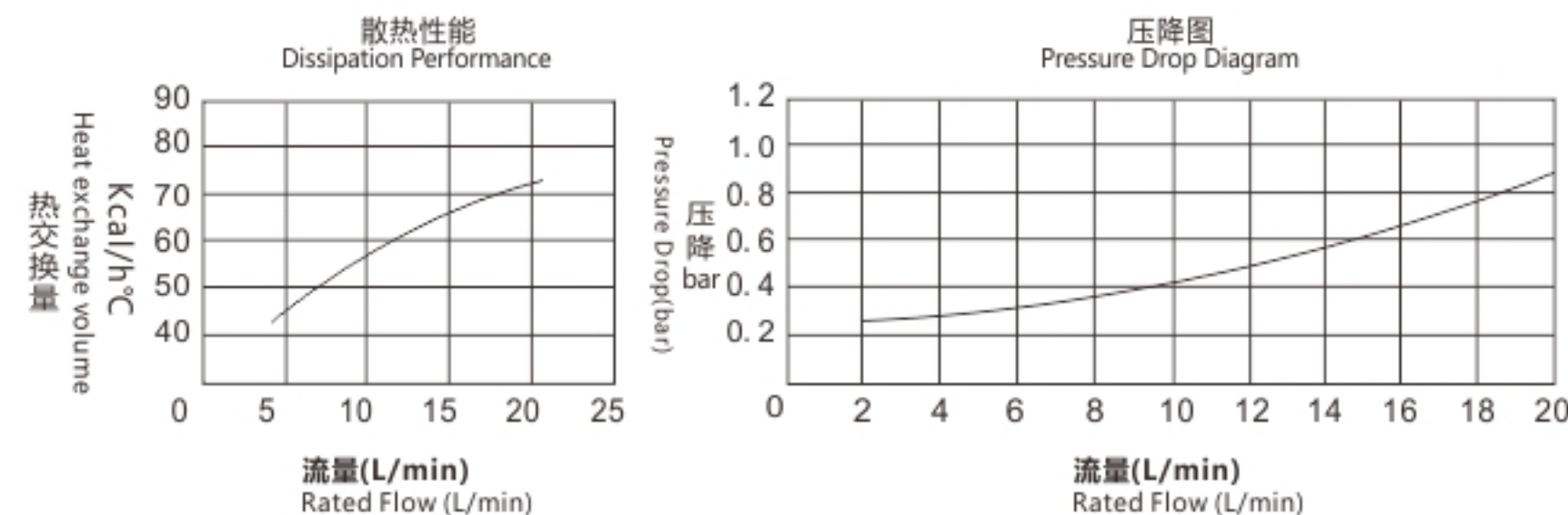


型号 Model NO	AW0607T-CA
额定流量 Rated Flow	20L/min
工作压力 Working Pressure	≤2.0MPa
风扇功率 Fan Power	30W
风扇电压 Fan Voltage	AC220V/380V DC12V/24V
散热面积 Dissipating Area	0.55m ²

尺寸图 Dimensions



性能图 Performance



冷却器用于定量泵系统回路时，必须加装旁通卸载回路防止系统启动时产生脉冲压力过高而损坏散热器。
When the cooler is used in the quantitative pump system loop, the bypass unloading circuit must be installed to prevent the pulse pressure from being too high to damage the radiator once the system starts.

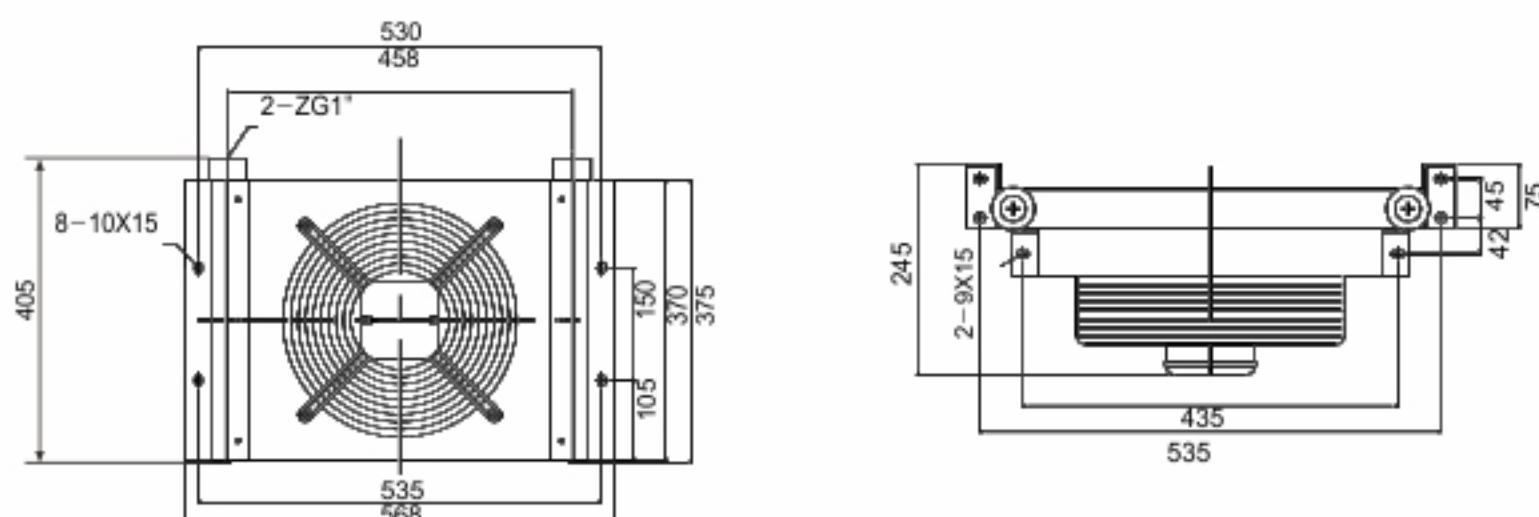
AW1417T-CA风冷式油冷却器 AW1417T-CA Air Cooled Heat Exchanger

产品规格 Product Specification

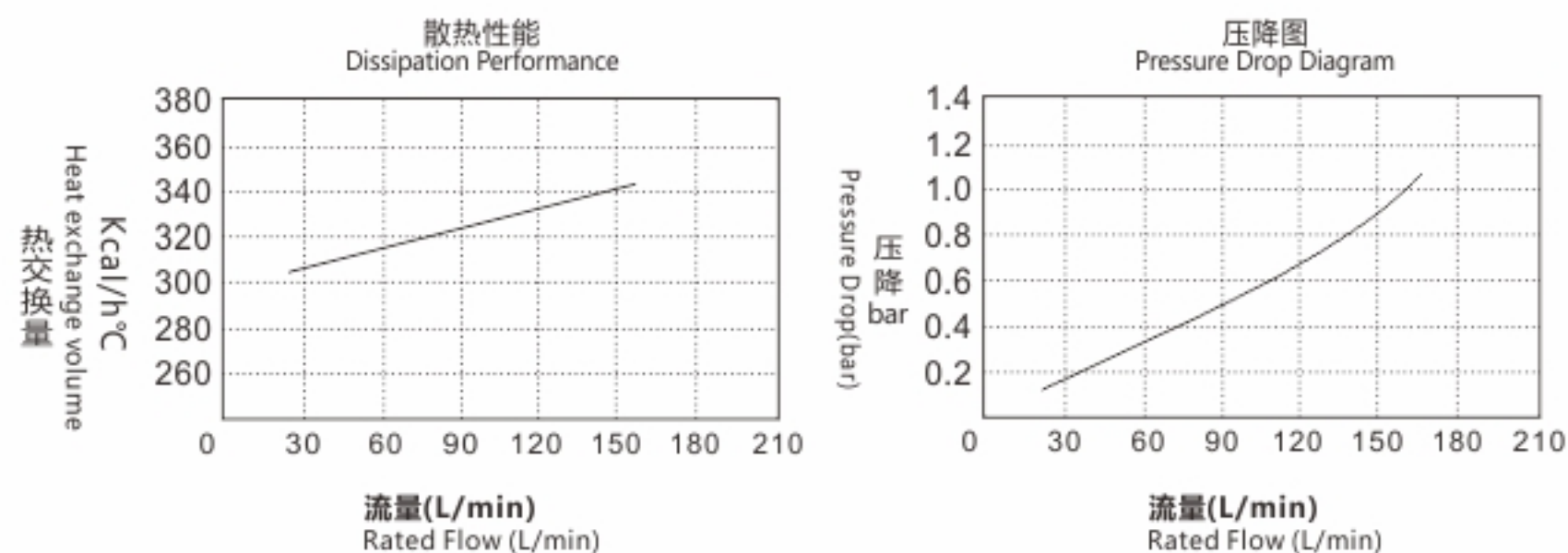


型号 Model NO	AW1417T-CA		
额定流量 Rated Flow	150L/min		
工作压力 Working Pressure	≤2.0MPa		
风扇功率 Fan Power	75W	85W	160W
风扇电压 Fan Voltage	380V	220V	24V

尺寸图 Dimensions



性能图 Performance



冷却器用于定量泵系统回路时，必须加装旁通卸载回路防止系统启动时产生脉冲压力过高而损坏散热器。
When the cooler is used in the quantitative pump system loop, the bypass unloading circuit must be installed to prevent the pulse pressure from being too high to damage the radiator once the system starts.

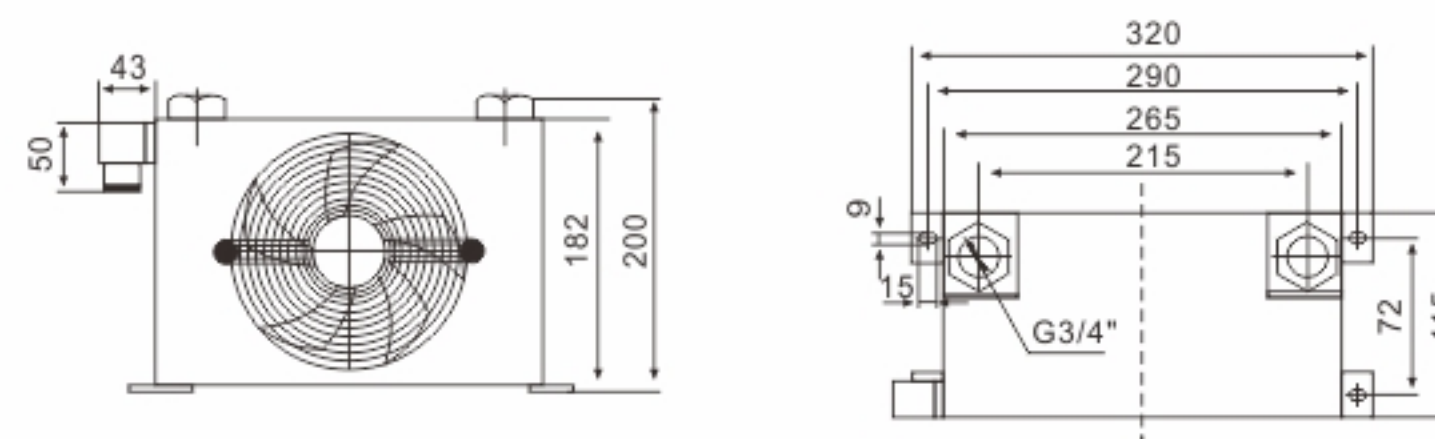
AH0608T-CA风冷式油冷却器 AH0608T-CA Air Cooled Heat Exchanger

产品规格 Product Specification

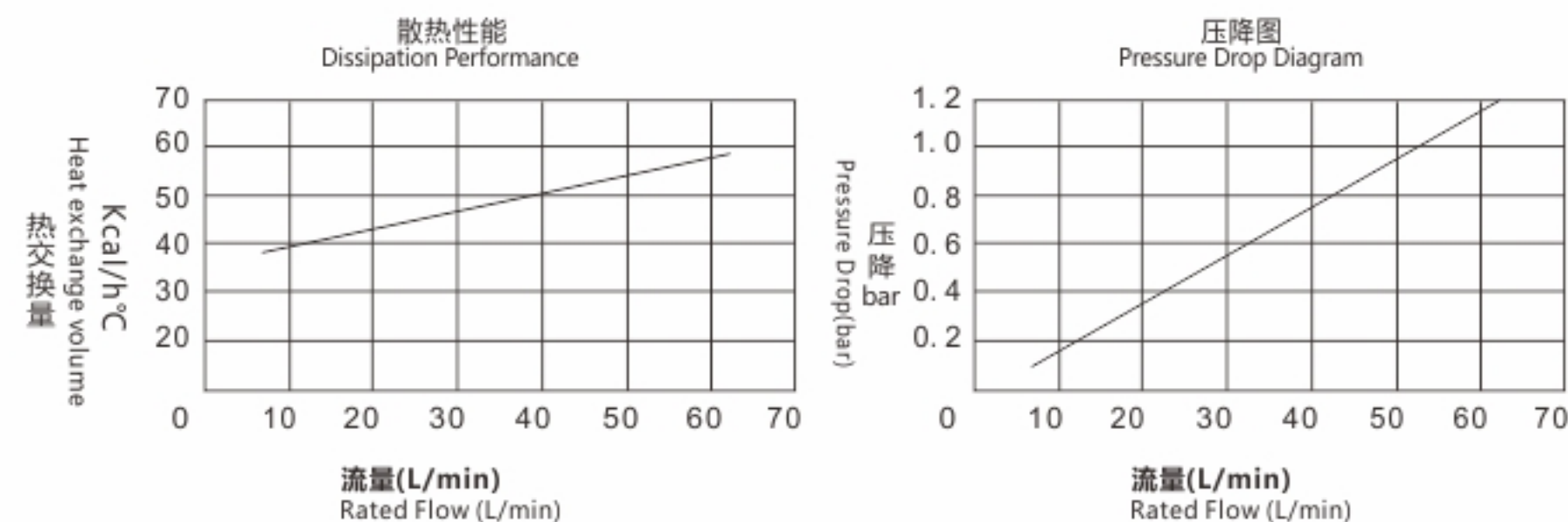


型号 Model NO	AH0608T-CA
额定流量 Rated Flow	60L/min
工作压力 Working Pressure	≤2.0MPa
风扇功率 Fan Power	30W
风扇电压 Fan Voltage	AC220V/380V DC12V/24V
散热面积 Dissipating Area	0.7m ²

尺寸图 Dimensions



性能图 Performance



冷却器用于定量泵系统回路时，必须加装旁通卸载回路防止系统启动时产生脉冲压力过高而损坏散热器。
When the cooler is used in the quantitative pump system loop, the bypass unloading circuit must be installed to prevent the pulse pressure from being too high to damage the radiator once the system starts.

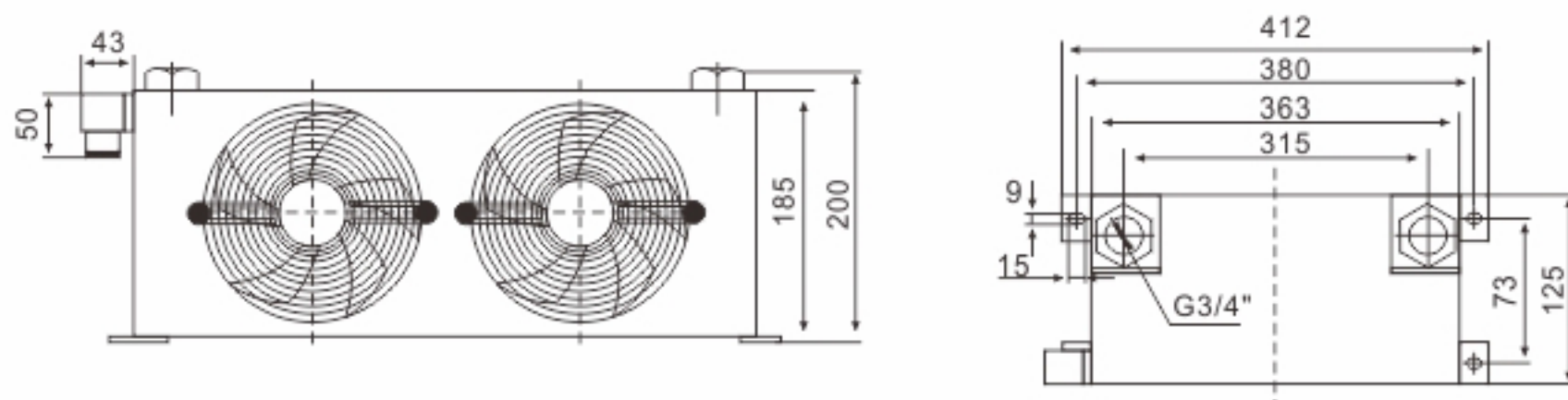
AH0608T-CA风冷式油冷却器 AH0608T-CA Air Cooled Heat Exchanger

产品规格 Product Specification

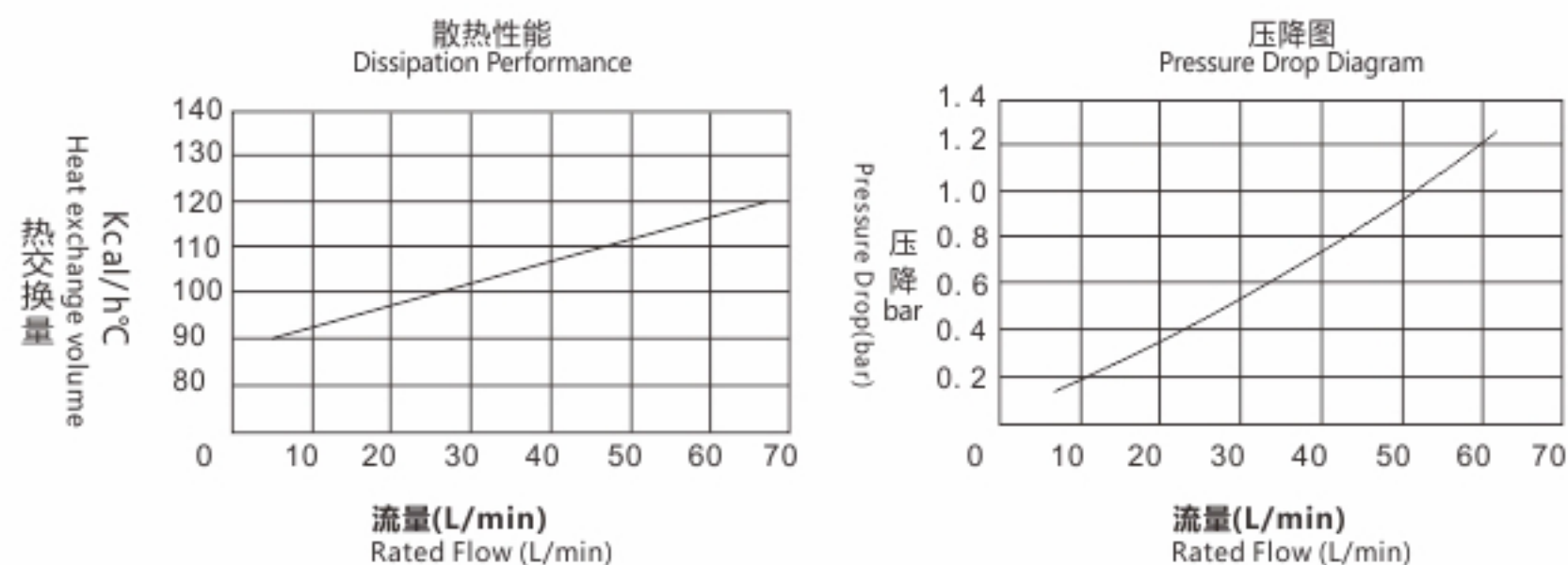


型号 Model NO	AH0608T-CA		
额定流量 Rated Flow	60L/min		
工作压力 Working Pressure	≤2.0MPa		
风扇功率 Fan Power	2x30W		
风扇电压 Fan Voltage	AC220V/380V DC12V/24V		
散热面积 Dissipating Area	1.2m ²		

尺寸图 Dimensions



性能图 Performance



冷却器用于定量泵系统回路时，必须加装旁通卸载回路防止系统启动时产生脉冲压力过高而损坏散热器。
When the cooler is used in the quantitative pump system loop, the bypass unloading circuit must be installed to prevent the pulse pressure from being too high to damage the radiator once the system starts.

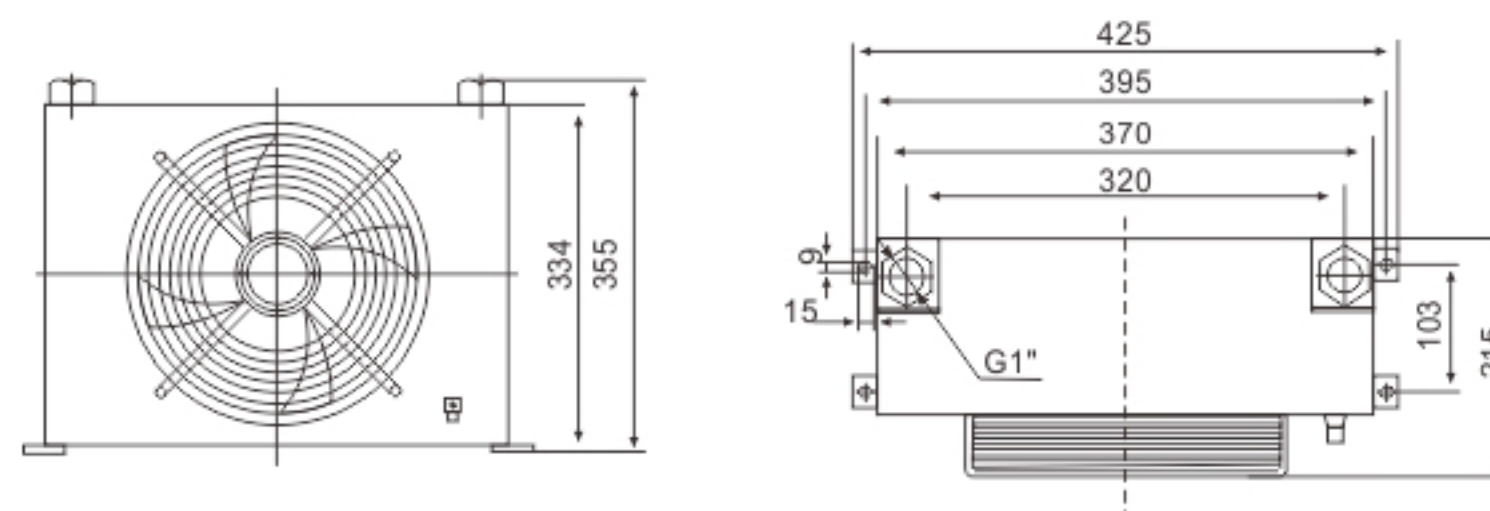
AH1012T-CA风冷式油冷却器 AH1012T-CA Air Cooled Heat Exchanger

产品规格 Product Specification

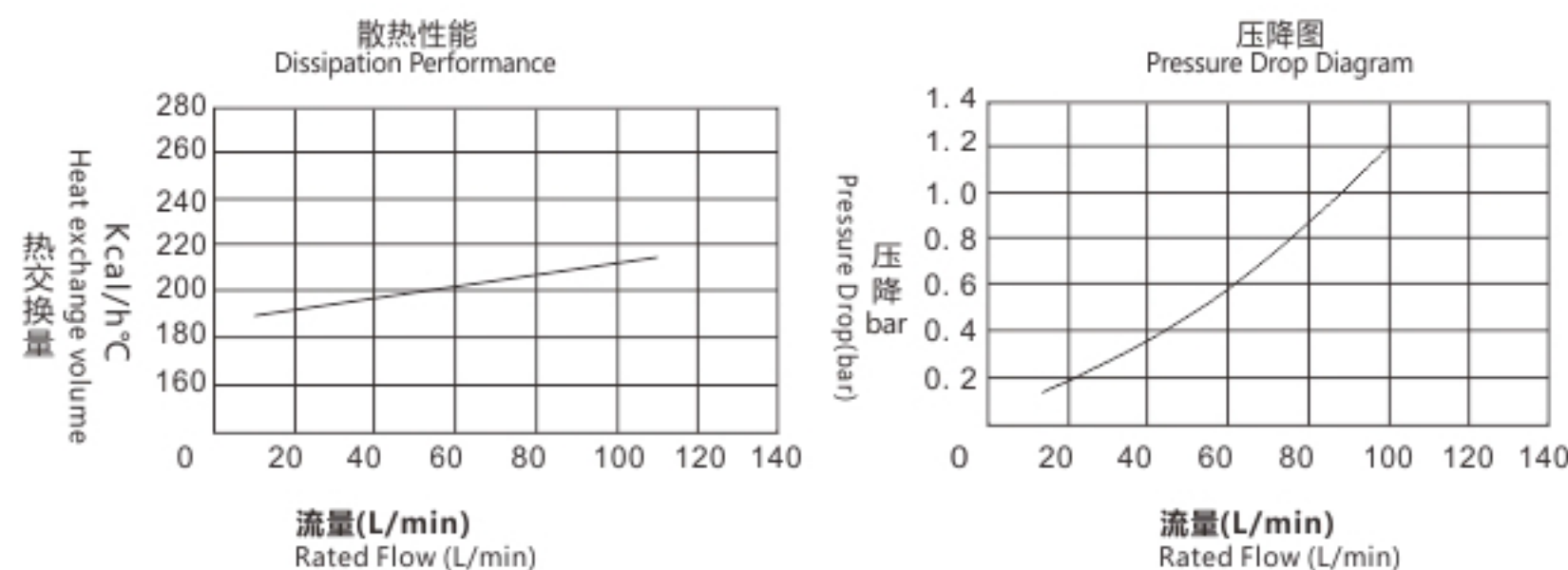


型号 Model NO	AH1012T-CA			
额定流量 Rated Flow	100L/min			
工作压力 Working Pressure	≤2.0MPa			
风扇功率 Fan Power	60W	50W	80W	160W
风扇电压 Fan Voltage	380V	220V	24V	12V
散热面积 Dissipating Area	2.6m ²			

尺寸图 Dimensions



性能图 Performance



冷却器用于定量泵系统回路时，必须加装旁通卸载回路防止系统启动时产生脉冲压力过高而损坏散热器。
When the cooler is used in the quantitative pump system loop, the bypass unloading circuit must be installed to prevent the pulse pressure from being too high to damage the radiator once the system starts.

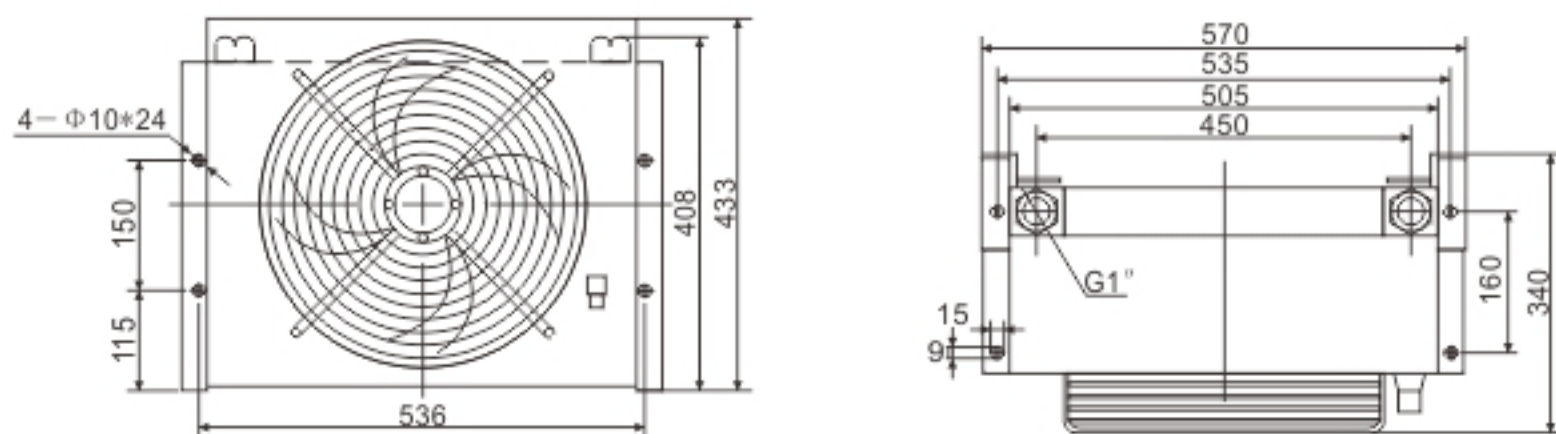
AH1417T-CA风冷式油冷却器 AH1417T-CA Air Cooled Heat Exchanger

产品规格 Product Specification

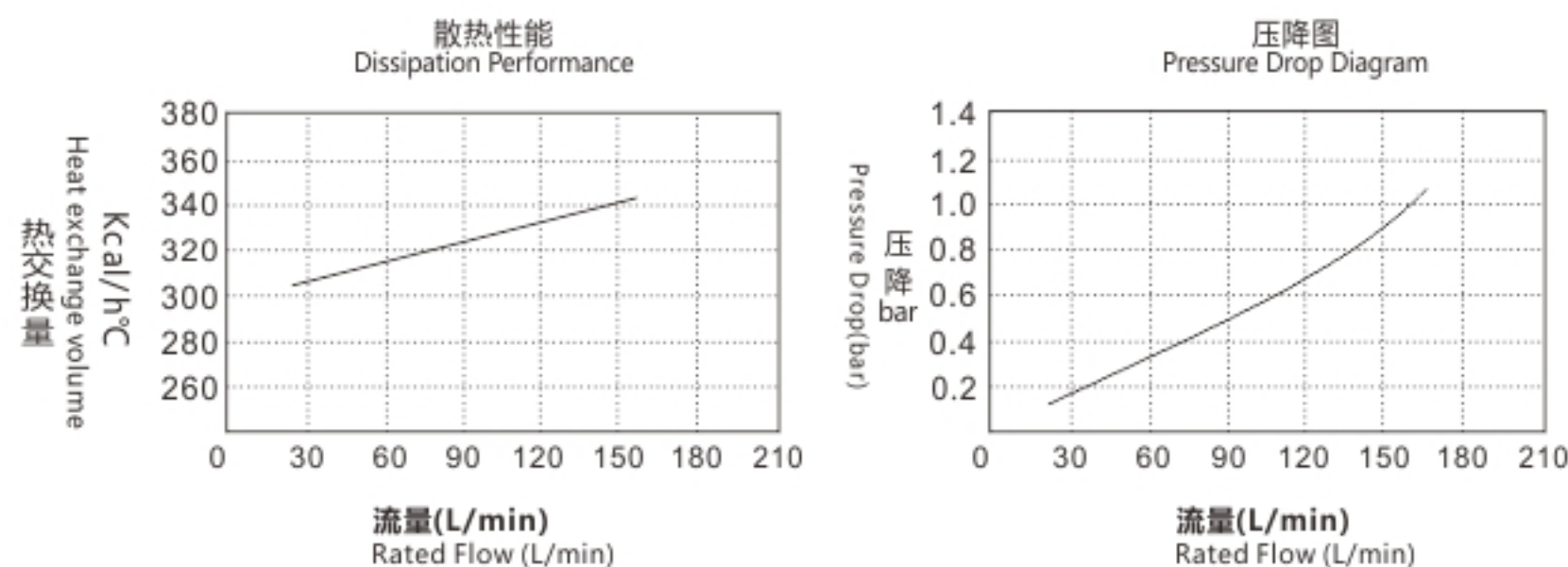


型号 Model NO	AH1417T-CA			
额定流量 Rated Flow	150L/min			
工作压力 Working Pressure	≤2.0MPa			
风扇功率 Fan Power	140W	140W	160W	160W
风扇电压 Fan Voltage	380V	220V	24V	12V
散热面积 Dissipating Area	4.5m ²			

尺寸图 Dimensions



性能图 Performance



冷却器用于定量泵系统回路时，必须加装旁通卸载回路防止系统启动时产生脉冲压力过高而损坏散热器。
When the cooler is used in the quantitative pump system loop, the bypass unloading circuit must be installed to prevent the pulse pressure from being too high to damage the radiator once the system starts.

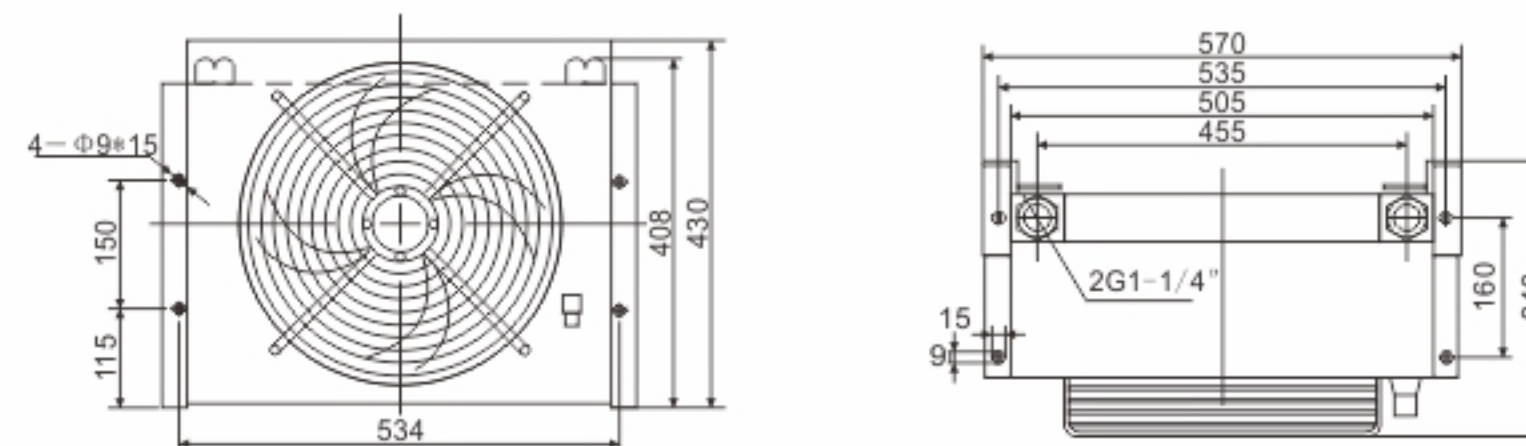
AH1470T-CA风冷式油冷却器 AH1470T-CA Air Cooled Heat Exchanger

产品规格 Product Specification

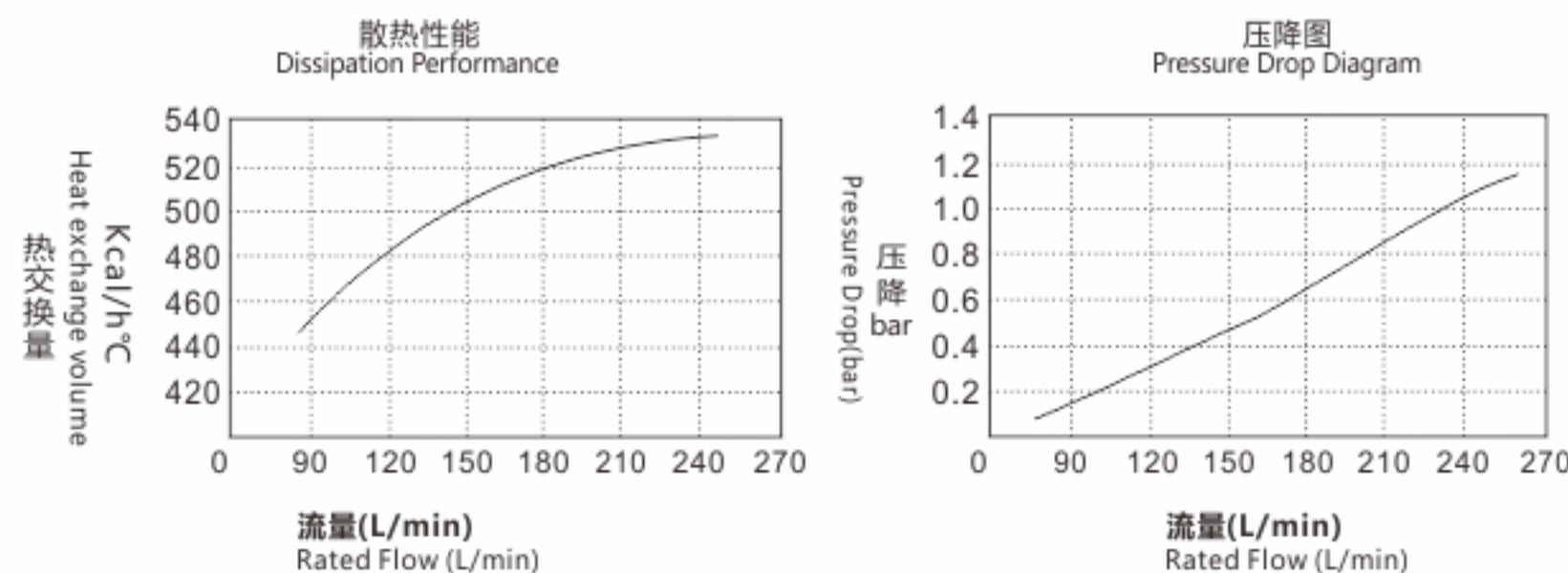


型号 Model NO	AH1470T-CA			
额定流量 Rated Flow	200L/min			
工作压力 Working Pressure	≤2.0MPa			
风扇功率 Fan Power	140W	140W	160W	160W
风扇电压 Fan Voltage	380V	220V	24V	12V
散热面积 Dissipating Area	7m ²			

尺寸图 Dimensions



性能图 Performance



冷却器用于定量泵系统回路时，必须加装旁通卸载回路防止系统启动时产生脉冲压力过高而损坏散热器。
When the cooler is used in the quantitative pump system loop, the bypass unloading circuit must be installed to prevent the pulse pressure from being too high to damage the radiator once the system starts.

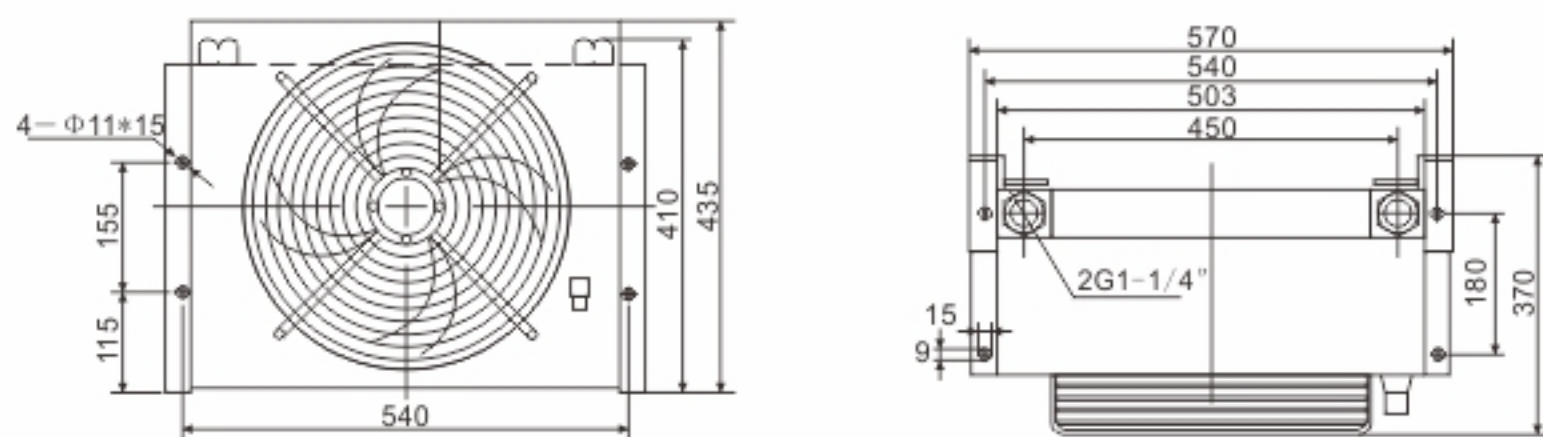
AH1490T-CA风冷式油冷却器 AH1490T-CA Air Cooled Heat Exchanger

产品规格 Product Specification

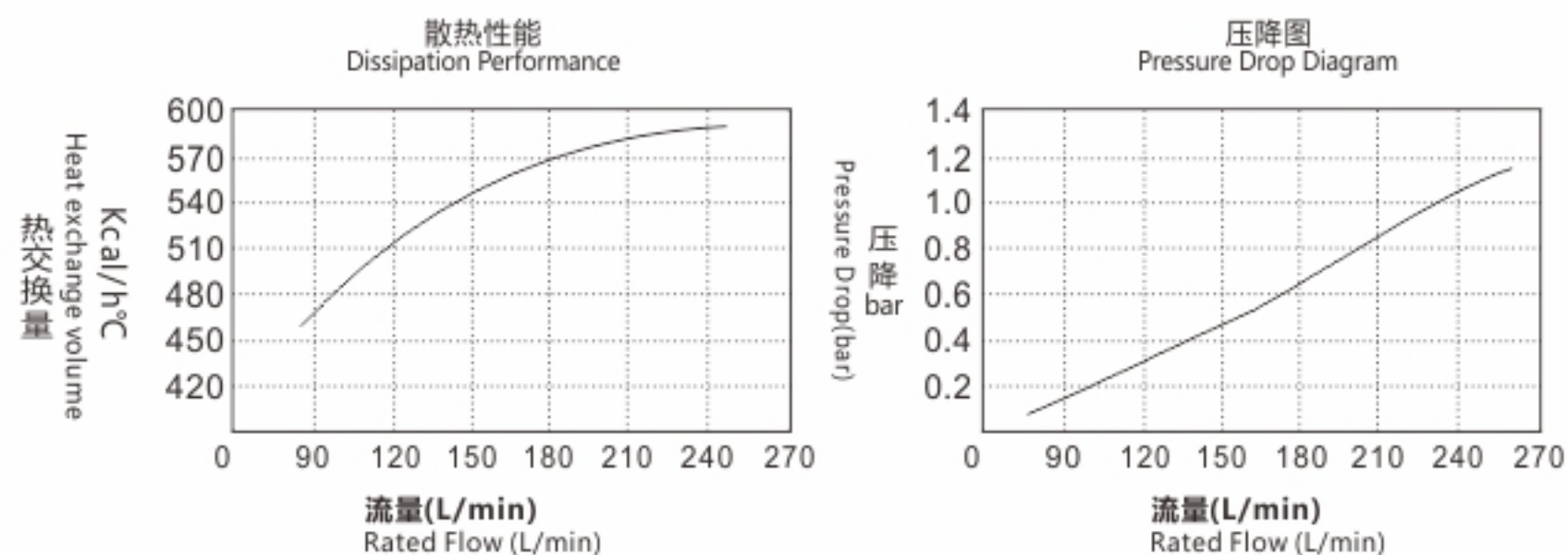


型号 Model NO	AH1490T-CA			
额定流量 Rated Flow	250L/min			
工作压力 Working Pressure	≤2.0MPa			
风扇功率 Fan Power	140W	140W	160W	160W
风扇电压 Fan Voltage	380V	220V	24V	12V
散热面积 Dissipating Area	9.3m ²			

尺寸图 Dimensions



性能图 Performance



冷却器用于定量泵系统回路时，必须加装旁通卸载回路防止系统启动时产生脉冲压力过高而损坏散热器。
When the cooler is used in the quantitative pump system loop, the bypass unloading circuit must be installed to prevent the pulse pressure from being too high to damage the radiator once the system starts.

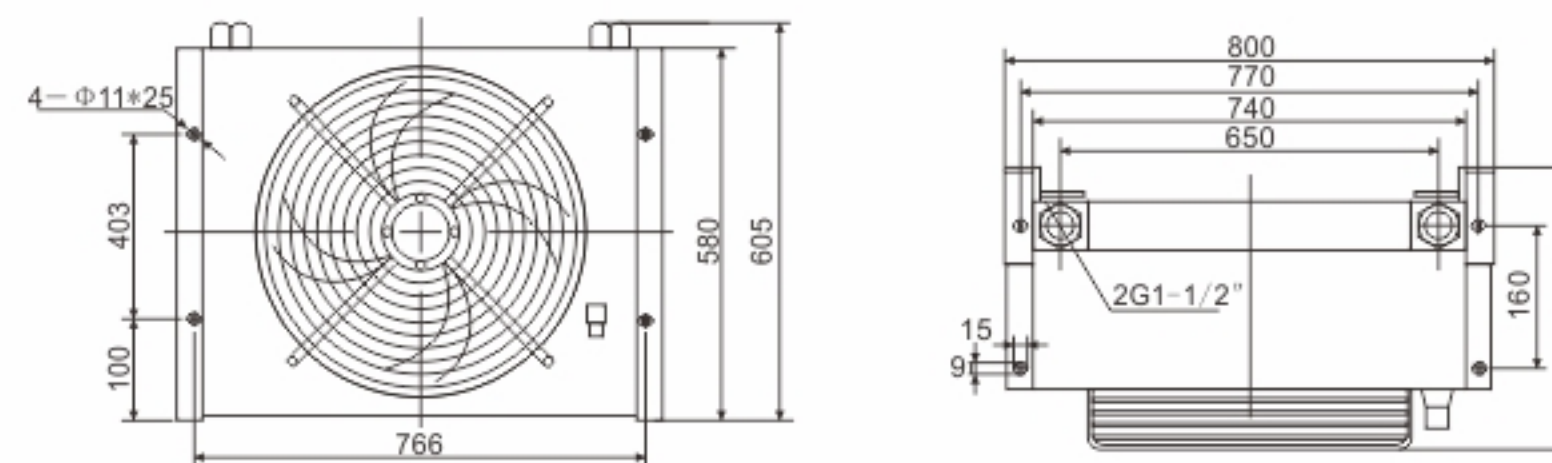
AH1680T-CA风冷式油冷却器 AH1680T-CA Air Cooled Heat Exchanger

产品规格 Product Specification

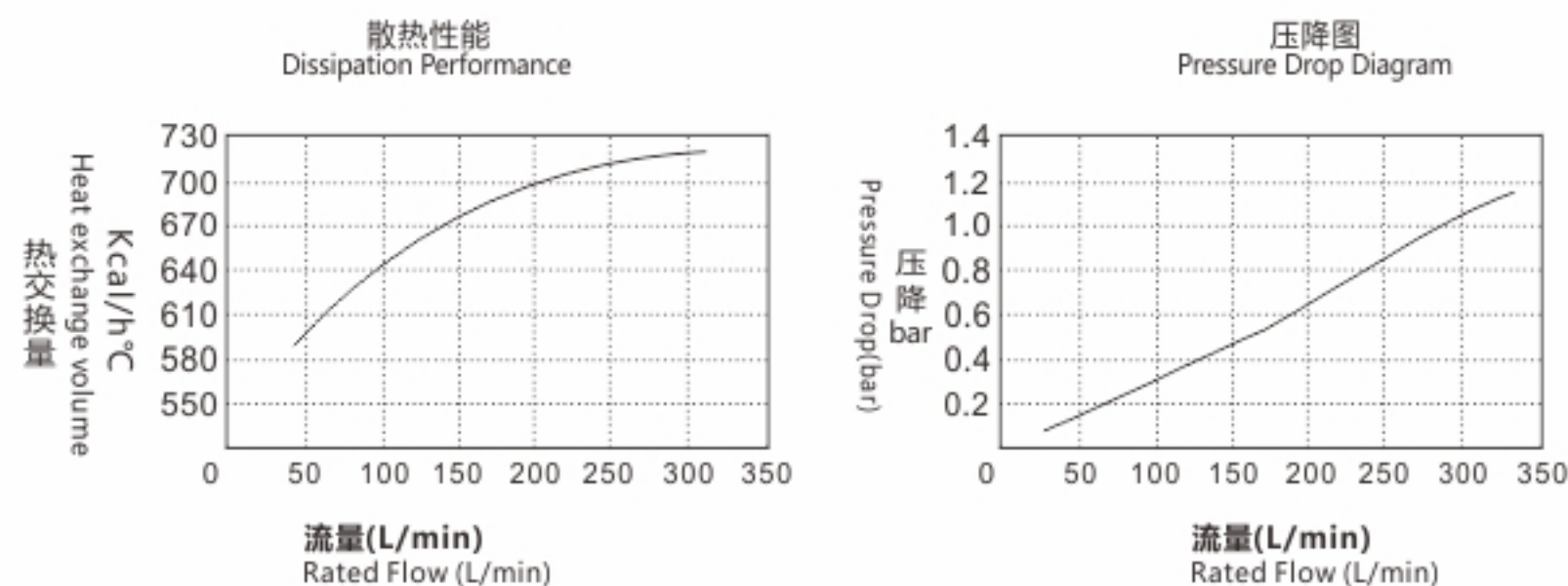


型号 Model NO	AH1680T-CA	
额定流量 Rated Flow	300L/min	
工作压力 Working Pressure	≤2.0MPa	
风扇功率 Fan Power	450W	420W
风扇电压 Fan Voltage	380V	220V
散热面积 Dissipating Area	14m ²	

尺寸图 Dimensions



性能图 Performance



冷却器用于定量泵系统回路时，必须加装旁通卸载回路防止系统启动时产生脉冲压力过高而损坏散热器。
When the cooler is used in the quantitative pump system loop, the bypass unloading circuit must be installed to prevent the pulse pressure from being too high to damage the radiator once the system starts.

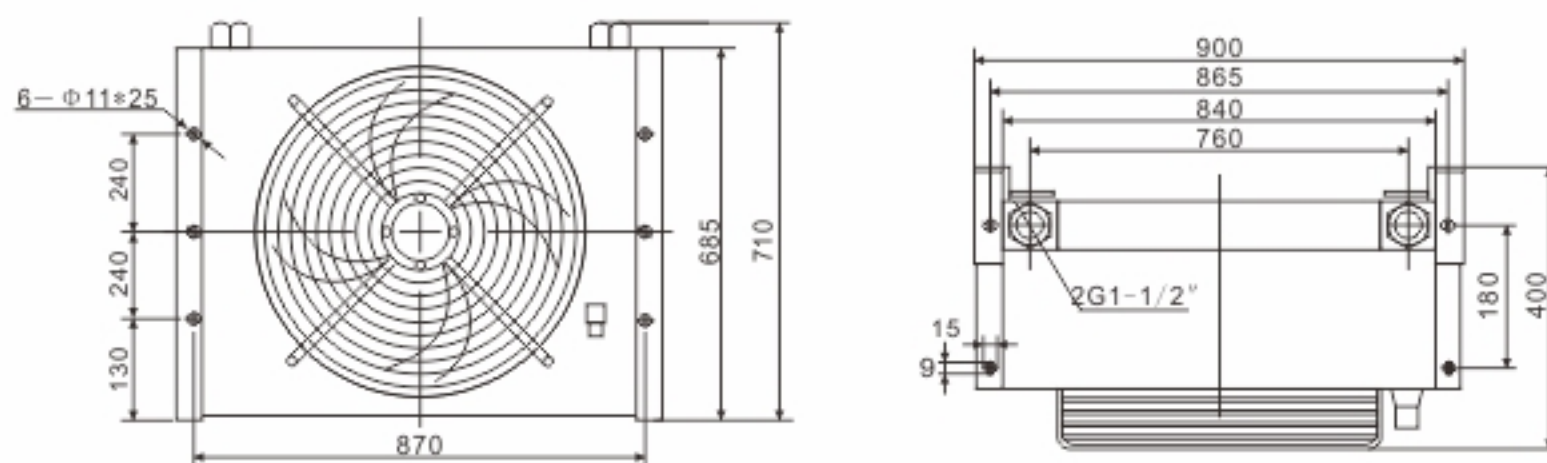
AH2431T-CA风冷式油冷却器 AH2431T-CA Air Cooled Heat Exchanger

产品规格 Product Specification

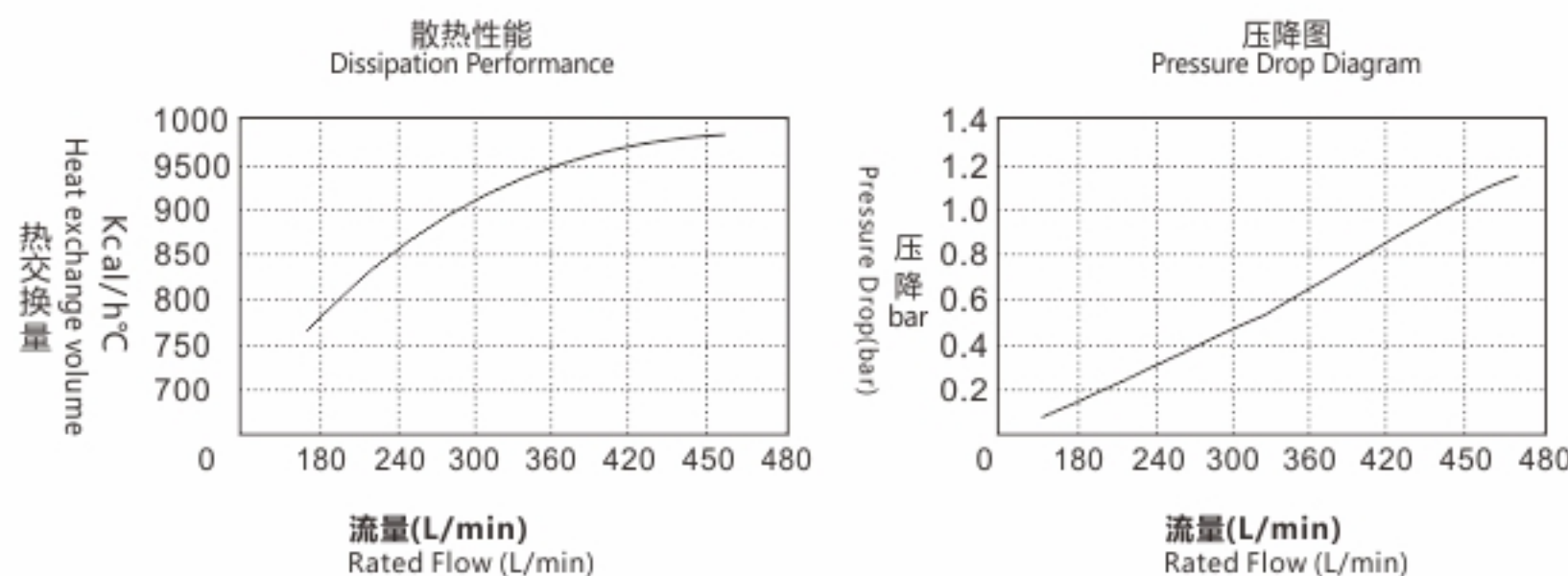


型号 Model NO	AH2431T-CA	
额定流量 Rated Flow	450L/min	
工作压力 Working Pressure	≤2.0MPa	
风扇功率 Fan Power	780W	700W
风扇电压 Fan Voltage	380V	220V

尺寸图 Dimensions



性能图 Performance



冷却器用于定量泵系统回路时，必须加装旁通卸载回路防止系统启动时产生脉冲压力过高而损坏散热器。
When the cooler is used in the quantitative pump system loop, the bypass unloading circuit must be installed to prevent the pulse pressure from being too high to damage the radiator once the system starts.

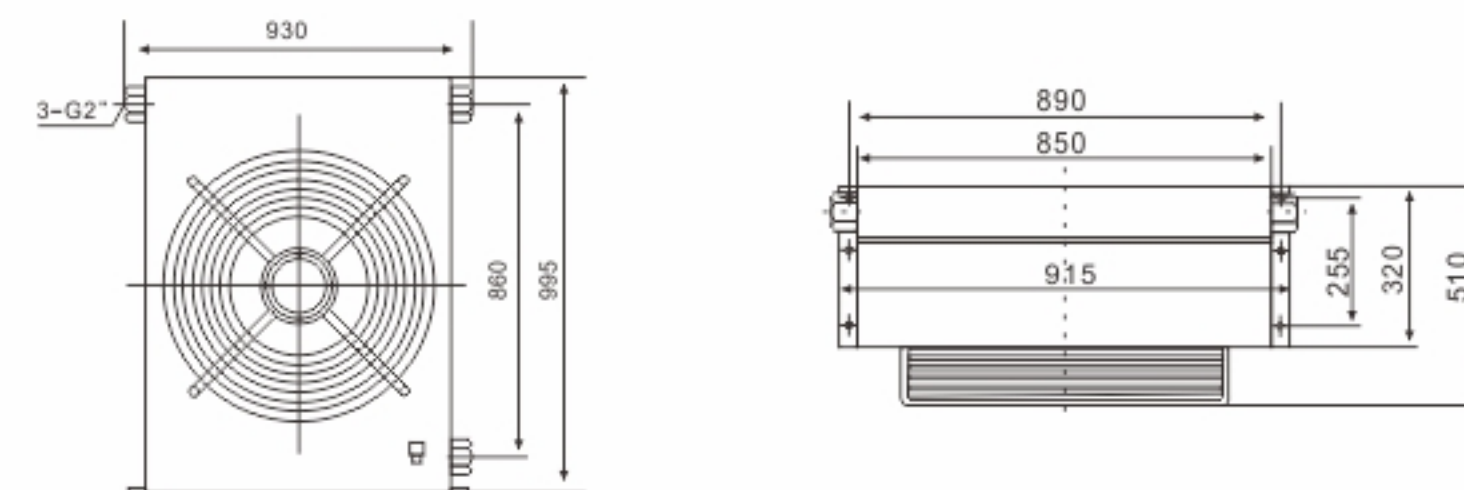
AH3818T-CA风冷式油冷却器 AH3818T-CA Air Cooled Heat Exchanger

产品规格 Product Specification

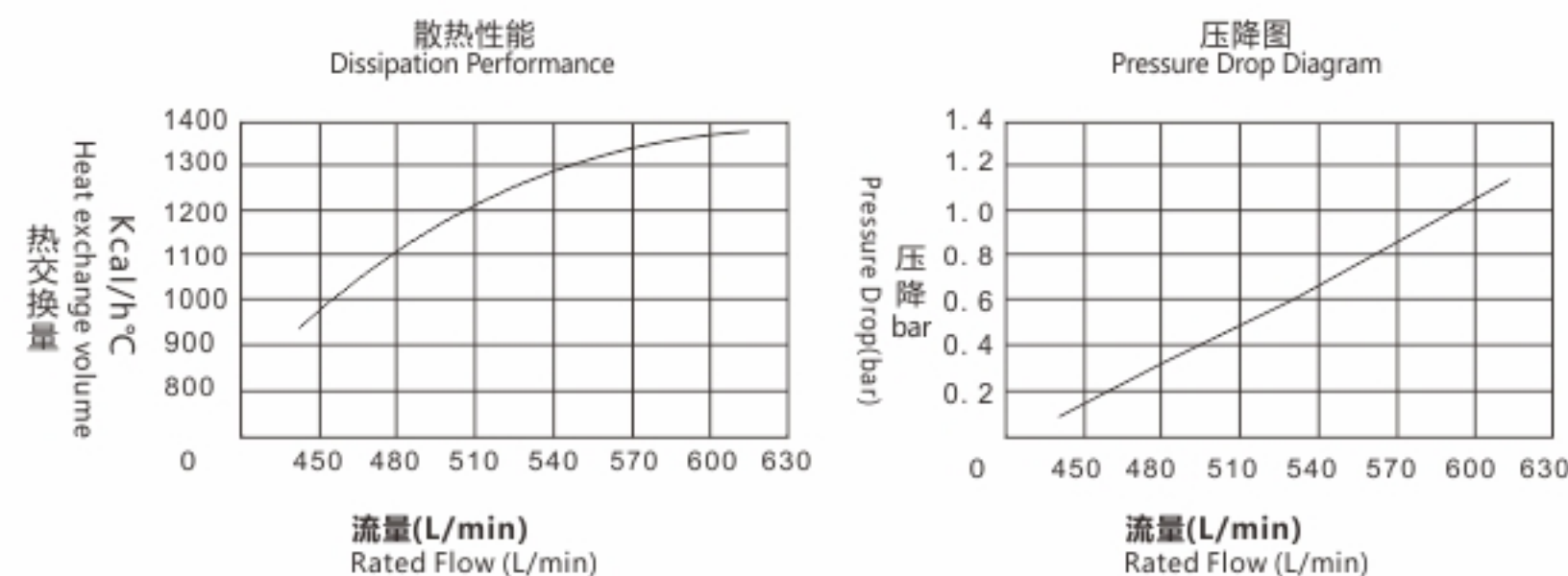


型号 Model NO	AH3818T-CA	
额定流量 Rated Flow	600L/min	
工作压力 Working Pressure	≤2.0MPa	
风扇功率 Fan Power	900W	
风扇电压 Fan Voltage	380V	

尺寸图 Dimensions



性能图 Performance



冷却器用于定量泵系统回路时，必须加装旁通卸载回路防止系统启动时产生脉冲压力过高而损坏散热器。
When the cooler is used in the quantitative pump system loop, the bypass unloading circuit must be installed to prevent the pulse pressure from being too high to damage the radiator once the system starts.

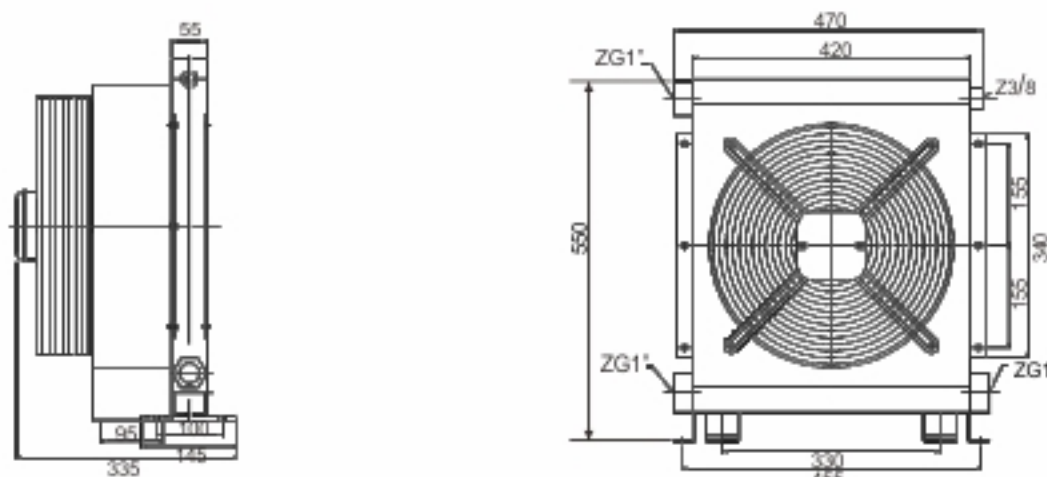
AD1417T-CA风冷式油冷却器 AD1417T-CA Air Cooled Heat Exchanger

产品规格 Product Specification

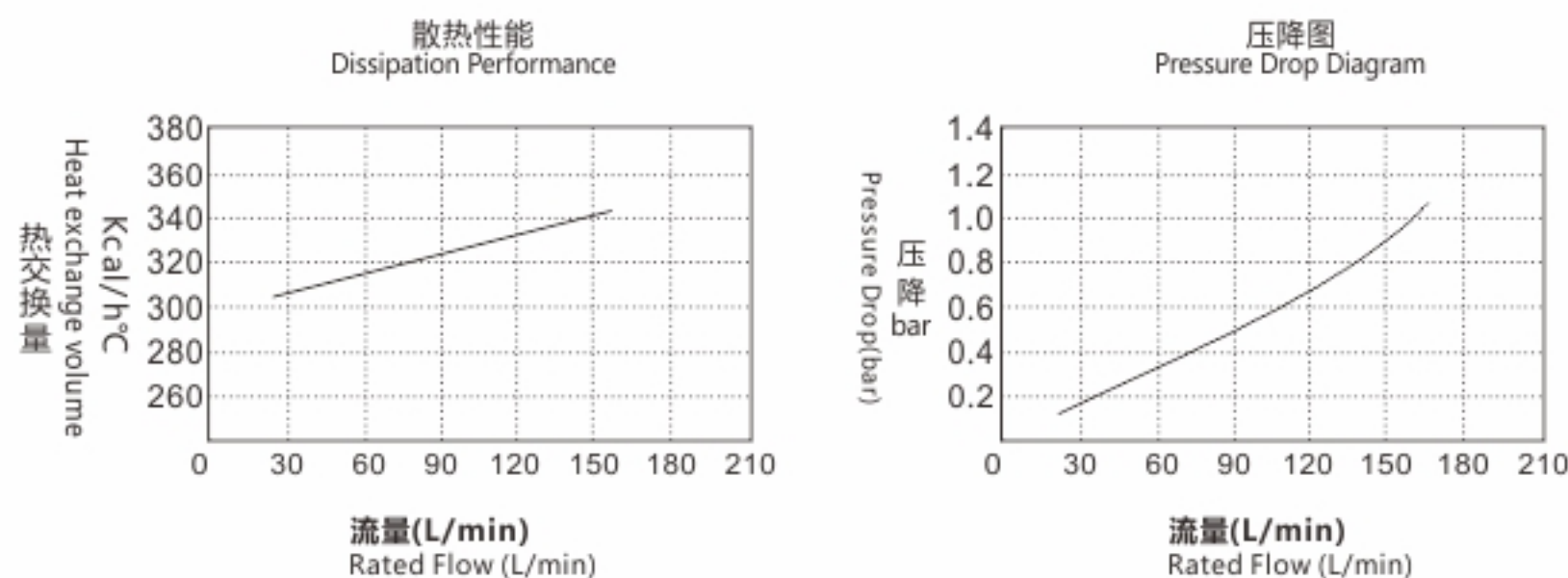


型号 Model NO	AD1417T-CA		
额定流量 Rated Flow	150L/min		
工作压力 Working Pressure	≤2.0MPa		
风扇功率 Fan Power	140W	140W	160W
风扇电压 Fan Voltage	380V	220V	24V

尺寸图 Dimensions



性能图 Performance



冷却器用于定量泵系统回路时，必须加装旁通卸载回路防止系统启动时产生脉冲压力过高而损坏散热器。
When the cooler is used in the quantitative pump system loop, the bypass unloading circuit must be installed to prevent the pulse pressure from being too high to damage the radiator once the system starts.

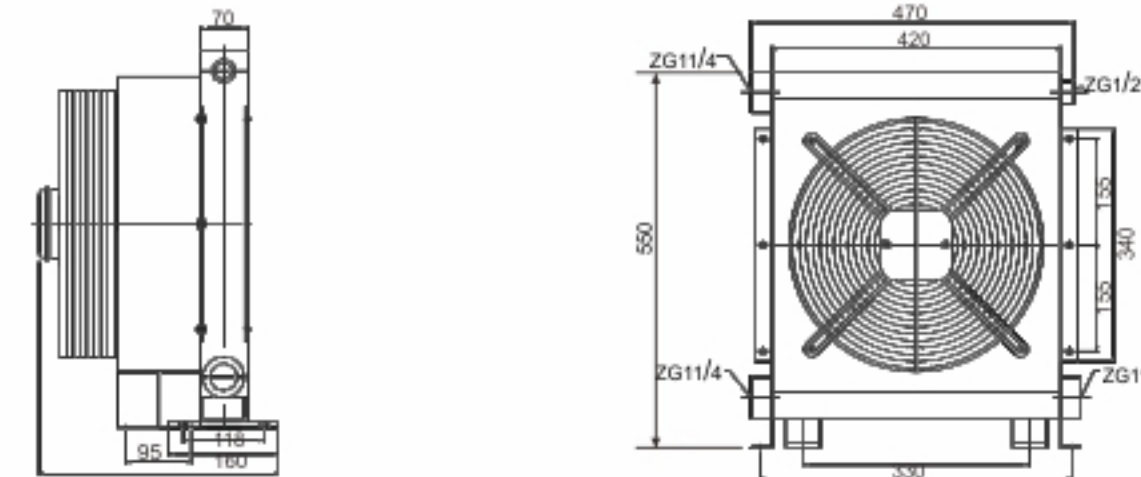
AD1470T-CA风冷式油冷却器 AD1470T-CA Air Cooled Heat Exchanger

产品规格 Product Specification

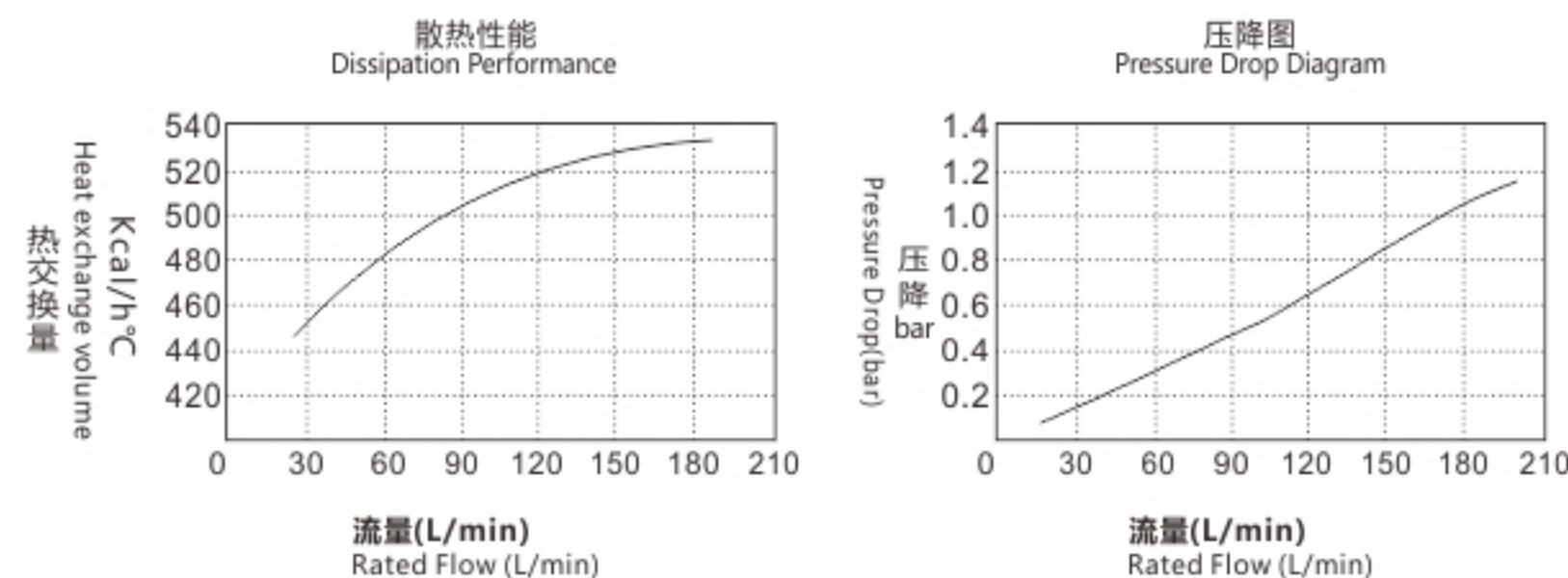


型号 Model NO	AD1470T-CA		
额定流量 Rated Flow	200L/min		
工作压力 Working Pressure	≤2.0MPa		
风扇功率 Fan Power	140W	140W	160W
风扇电压 Fan Voltage	380V	220V	24V

尺寸图 Dimensions



性能图 Performance



冷却器用于定量泵系统回路时，必须加装旁通卸载回路防止系统启动时产生脉冲压力过高而损坏散热器。
When the cooler is used in the quantitative pump system loop, the bypass unloading circuit must be installed to prevent the pulse pressure from being too high to damage the radiator once the system starts.

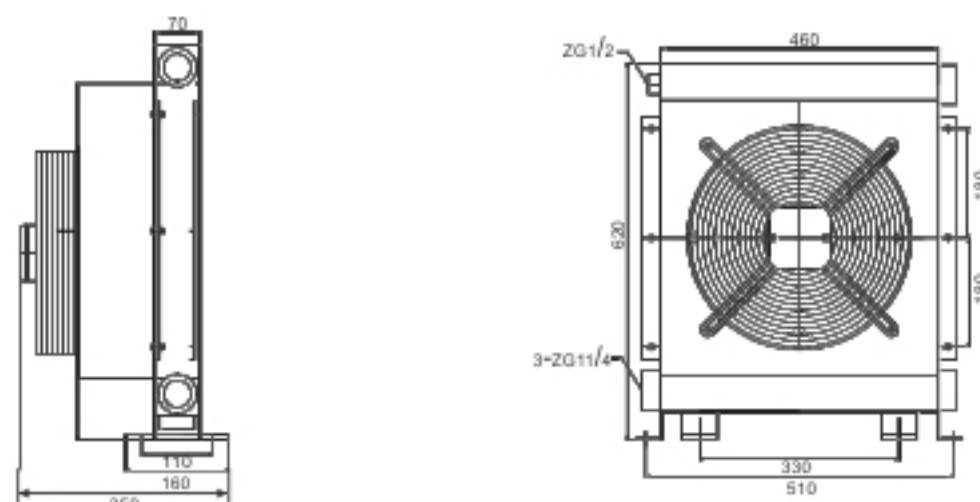
AD1490T-CA风冷式油冷却器 AD1490T-CA Air Cooled Heat Exchanger

产品规格 Product Specification

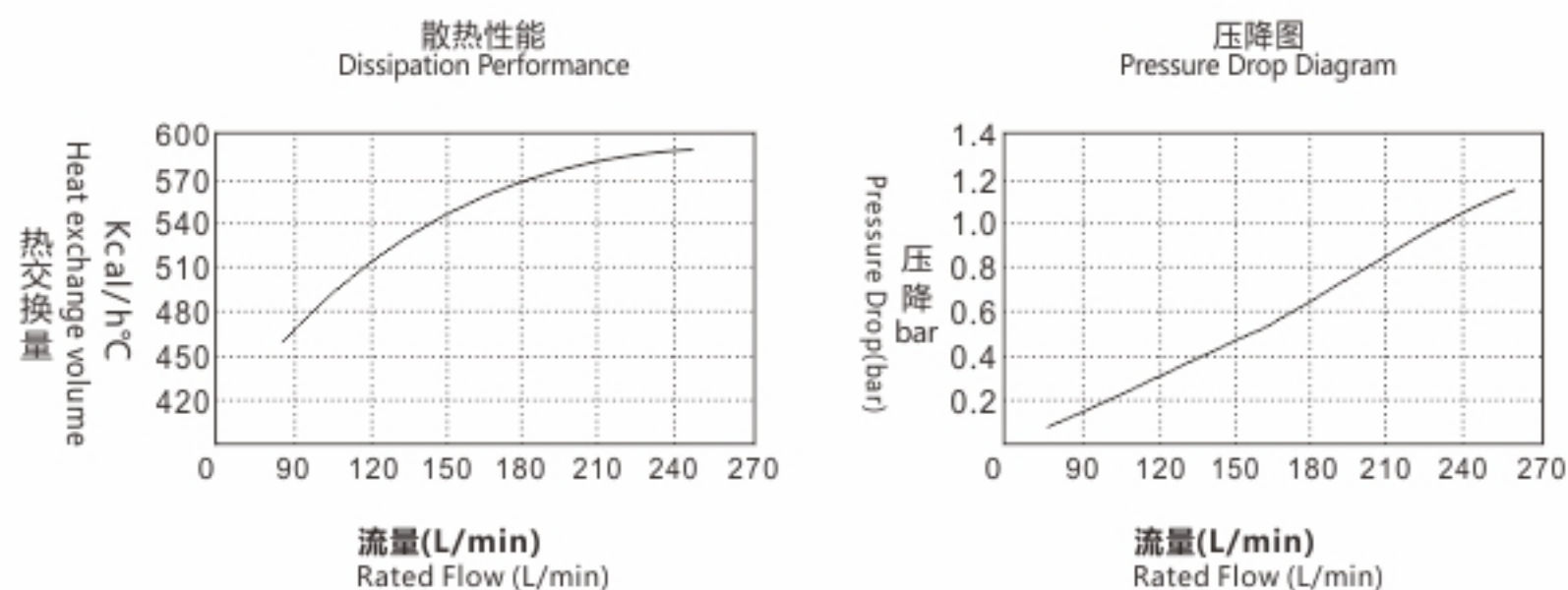


型号 Model NO	AD1490T-CA		
额定流量 Rated Flow	250L/min		
工作压力 Working Pressure	≤2.0MPa		
风扇功率 Fan Power	180W	180W	160W
风扇电压 Fan Voltage	380V	220V	24V

尺寸图 Dimensions



性能图 Performance



冷却器用于定量泵系统回路时，必须加装旁通卸载回路防止系统启动时产生脉冲压力过高而损坏散热器。
When the cooler is used in the quantitative pump system loop, the bypass unloading circuit must be installed to prevent the pulse pressure from being too high to damage the radiator once the system starts.

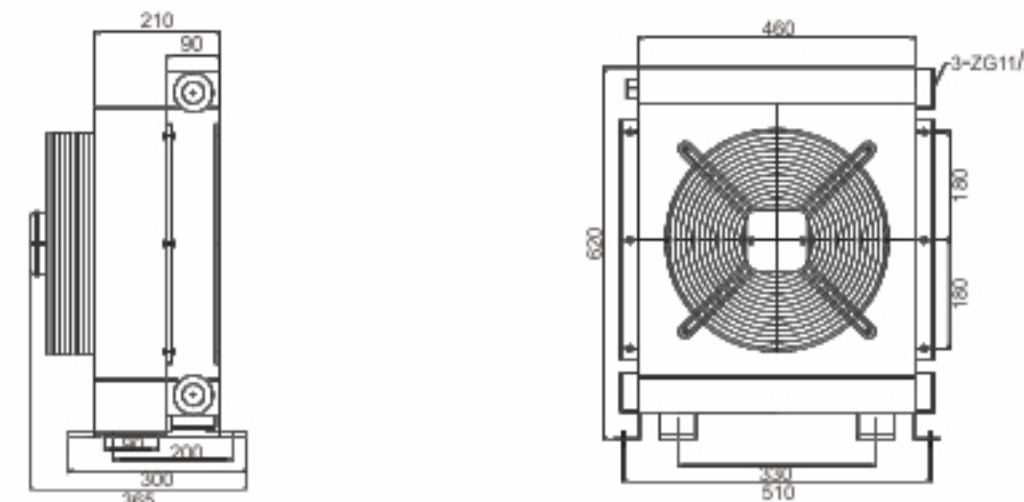
AD1680T-CA风冷式油冷却器 AD1680T-CA Air Cooled Heat Exchanger

产品规格 Product Specification

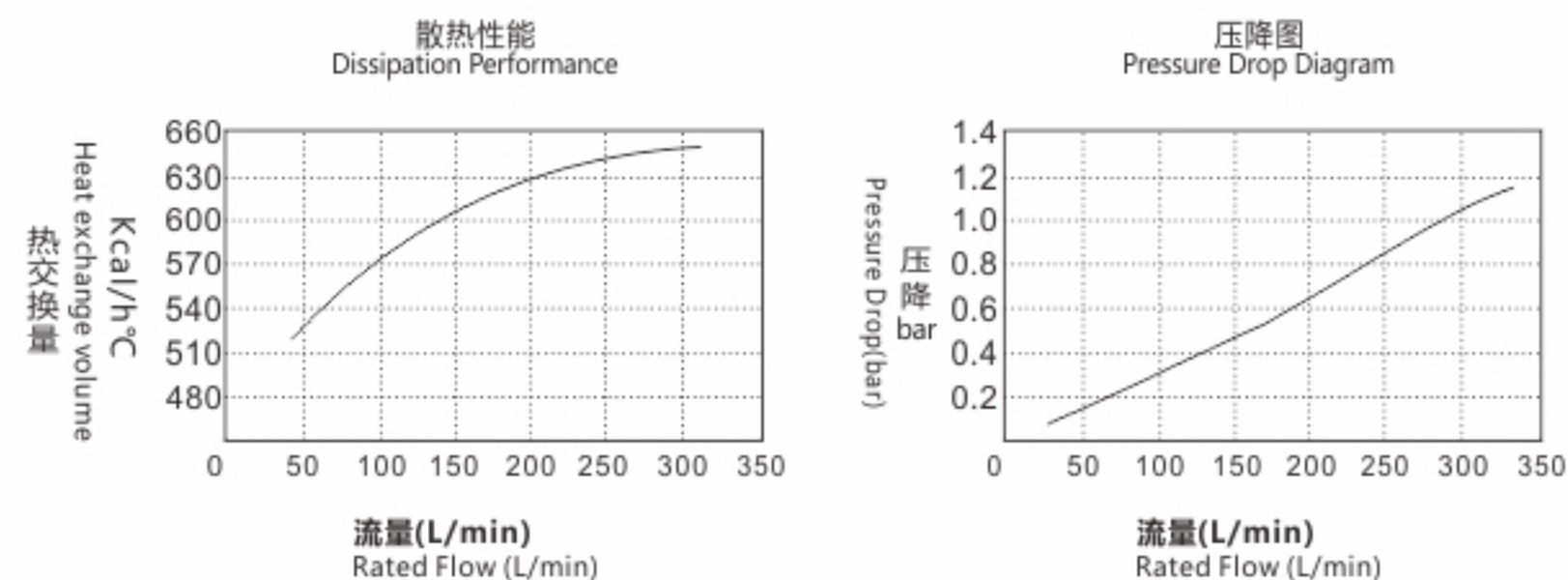


型号 Model NO	AD1680T-CA	
额定流量 Rated Flow	300L/min	
工作压力 Working Pressure	≤2.0MPa	
风扇功率 Fan Power	180W	180W
风扇电压 Fan Voltage	380V	220V

尺寸图 Dimensions



性能图 Performance



冷却器用于定量泵系统回路时，必须加装旁通卸载回路防止系统启动时产生脉冲压力过高而损坏散热器。
When the cooler is used in the quantitative pump system loop, the bypass unloading circuit must be installed to prevent the pulse pressure from being too high to damage the radiator once the system starts.

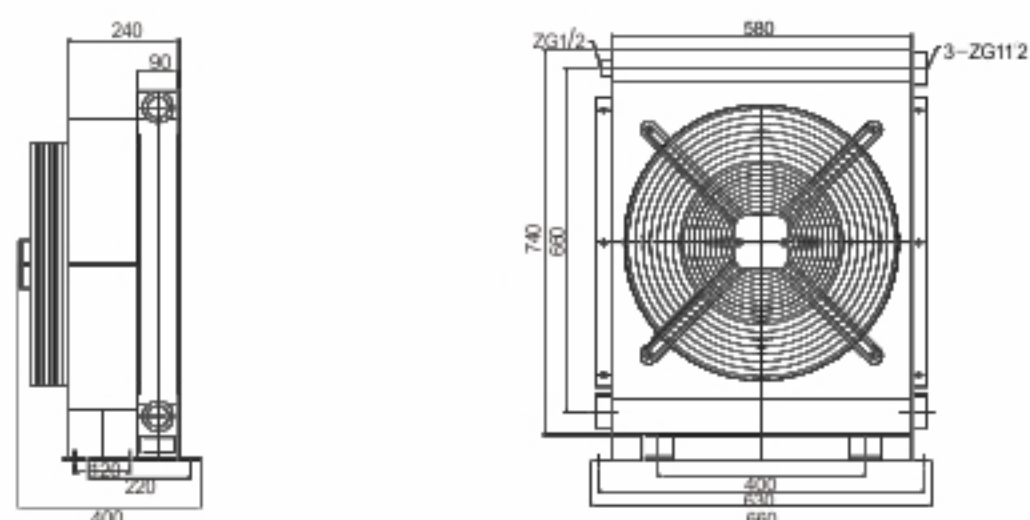
AD1890T-CA风冷式油冷却器 AD1890T-CA Air Cooled Heat Exchanger

产品规格 Product Specification

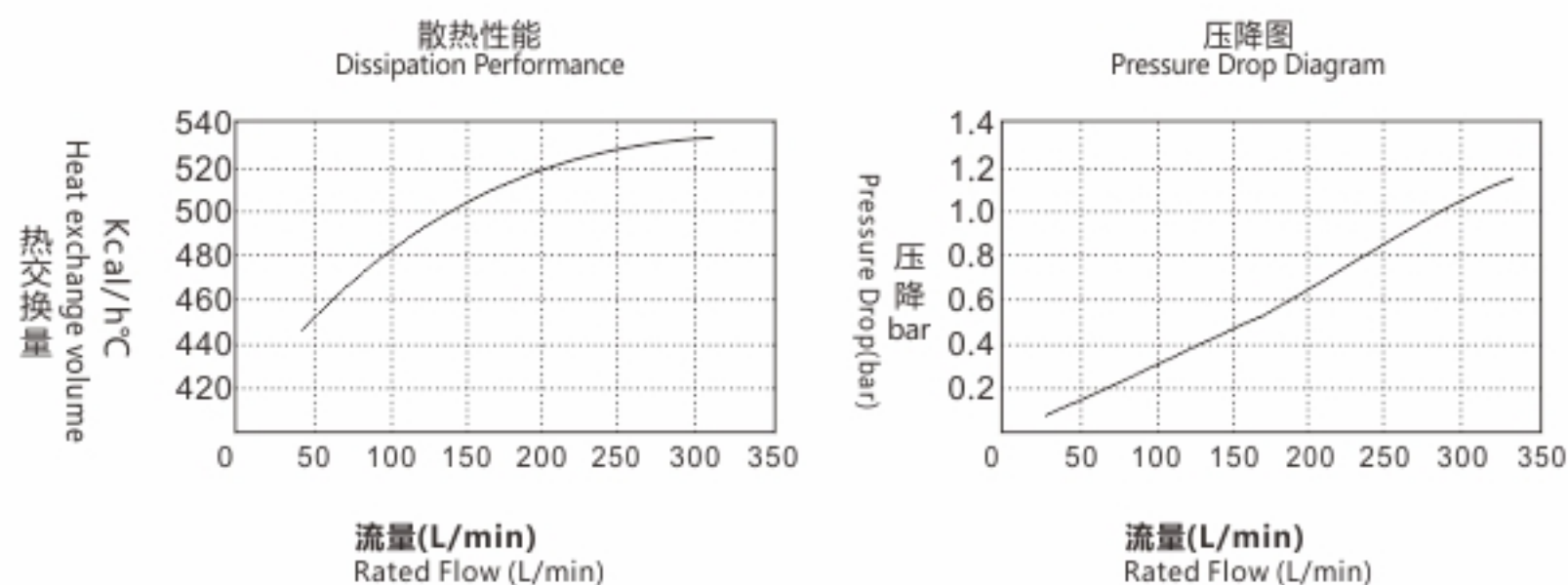


型号 Model NO	AD1890T-CA	
额定流量 Rated Flow	350L/min	
工作压力 Working Pressure	≤2.0MPa	
风扇功率 Fan Power	250W	250W
风扇电压 Fan Voltage	380V	220V

尺寸图 Dimensions



性能图 Performance



冷却器用于定量泵系统回路时，必须加装旁通卸载回路防止系统启动时产生脉冲压力过高而损坏散热器。
When the cooler is used in the quantitative pump system loop, the bypass unloading circuit must be installed to prevent the pulse pressure from being too high to damage the radiator once the system starts.

HDC80L-CA风冷式油冷却器 HDC80L-CA Air Cooled Heat Exchanger

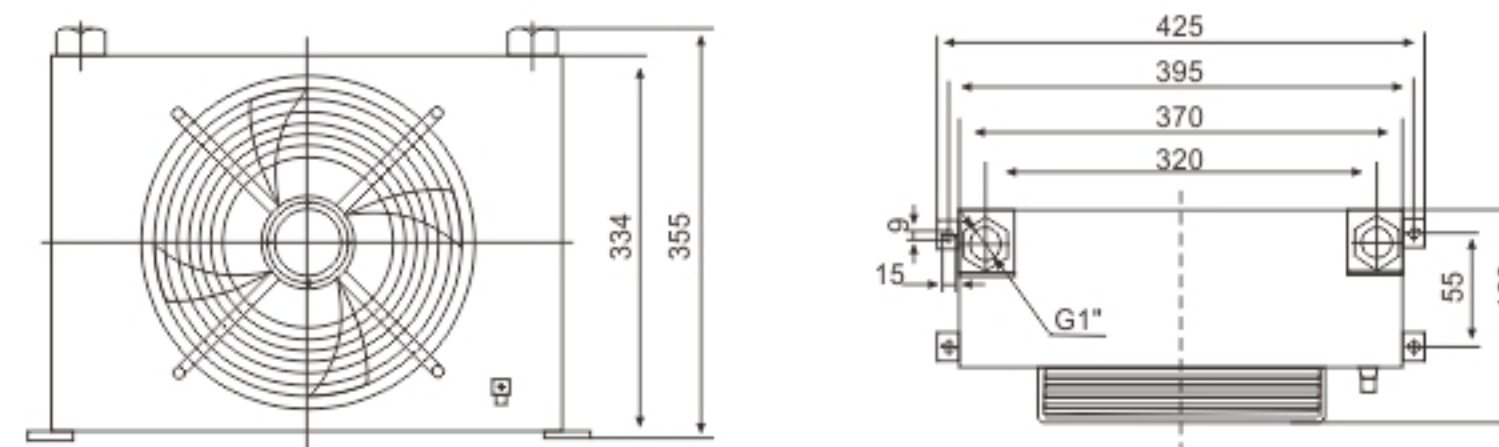
工程机械型
Construction Machinery Model

产品规格 Product Specification

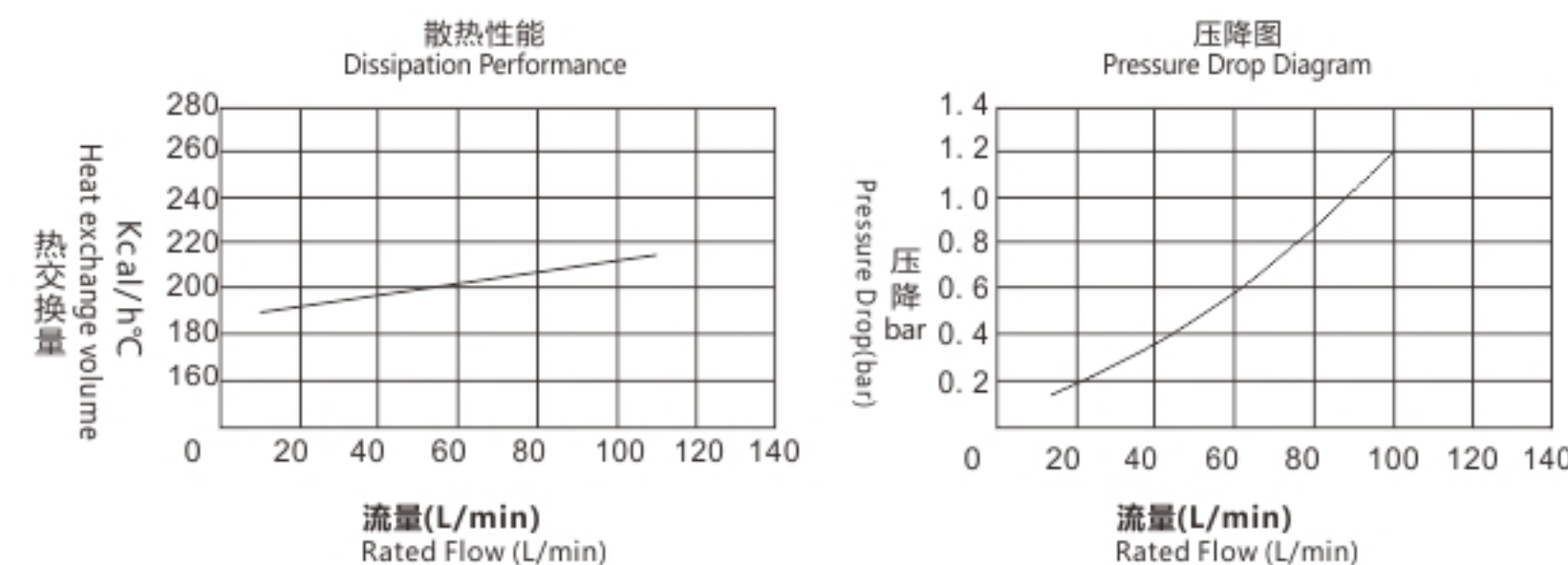


型号 Model NO	HDC80L-CA		
额定流量 Rated Flow	80L/min		
工作压力 Working Pressure	≤2.0MPa		
风扇功率 Fan Power	60W	50W	160W
风扇电压 Fan Voltage	380V	220V	24V

尺寸图 Dimensions



性能图 Performance



冷却器用于定量泵系统回路时，必须加装旁通卸载回路防止系统启动时产生脉冲压力过高而损坏散热器。
When the cooler is used in the quantitative pump system loop, the bypass unloading circuit must be installed to prevent the pulse pressure from being too high to damage the radiator once the system starts.



风冷AD系列
Air-Cooled AH Series



风冷HDC系列
Air-Cooled HDC Series

HDC120L-CA风冷式油冷却器 HDC120L-CA Air Cooled Heat Exchanger

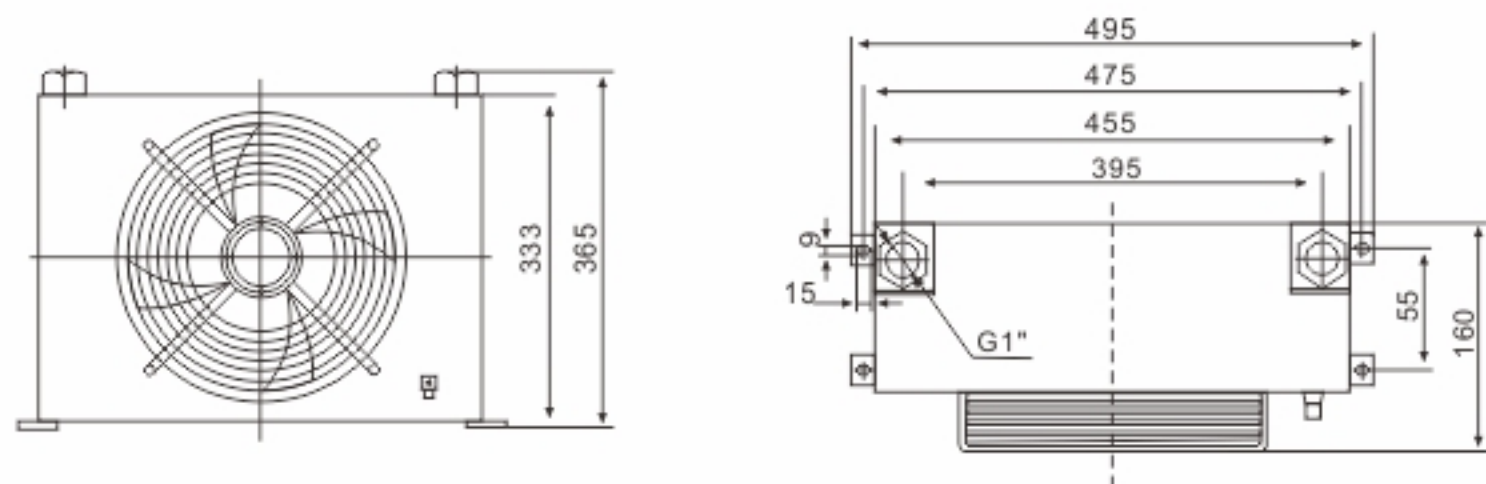
工程机械型
Construction Machinery Model

产品规格 Product Specification

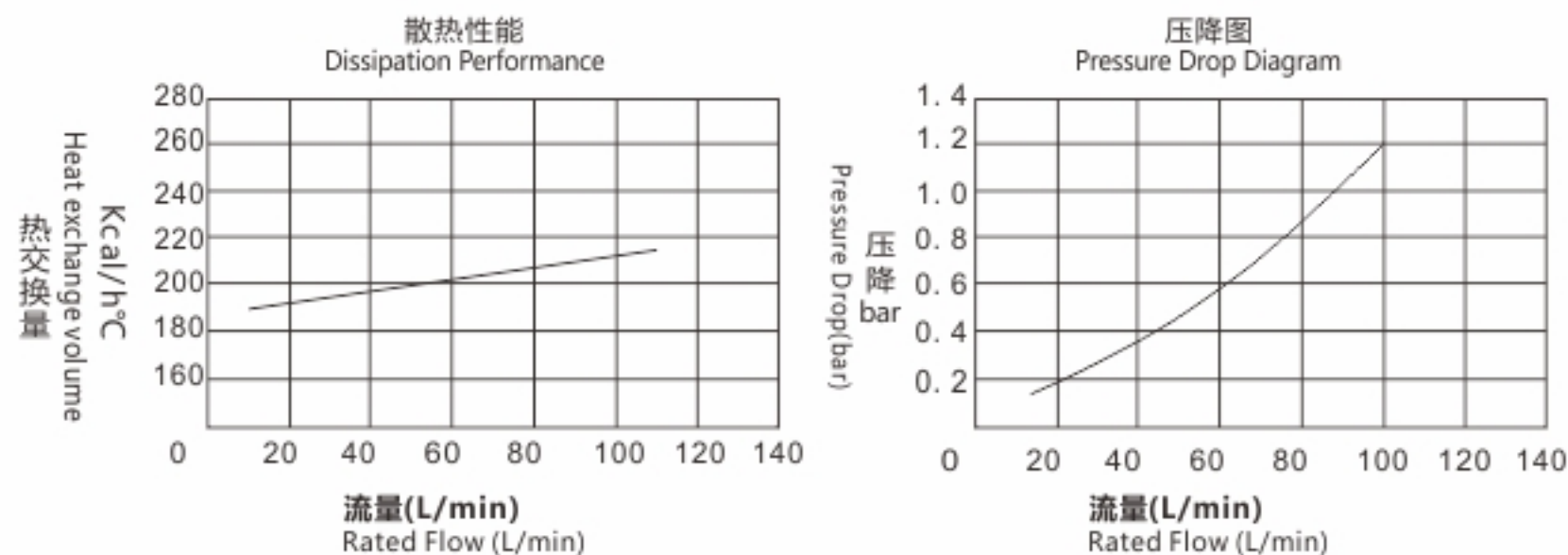


型号 Model NO	HDC120L-CA		
额定流量 Rated Flow	120L/min		
工作压力 Working Pressure	≤2.0MPa		
风扇功率 Fan Power	60W	50W	160W
风扇电压 Fan Voltage	380V	220V	24V
散热面积 Dissipating Area	2.6m ²		

尺寸图 Dimensions



性能图 Performance



冷却器用于定量泵系统回路时，必须加装旁通卸载回路防止系统启动时产生脉冲压力过高而损坏散热器。
When the cooler is used in the quantitative pump system loop, the bypass unloading circuit must be installed to prevent the pulse pressure from being too high to damage the radiator once the system starts.

HDC200L-CA风冷式油冷却器 HDC200L-CA Air Cooled Heat Exchanger

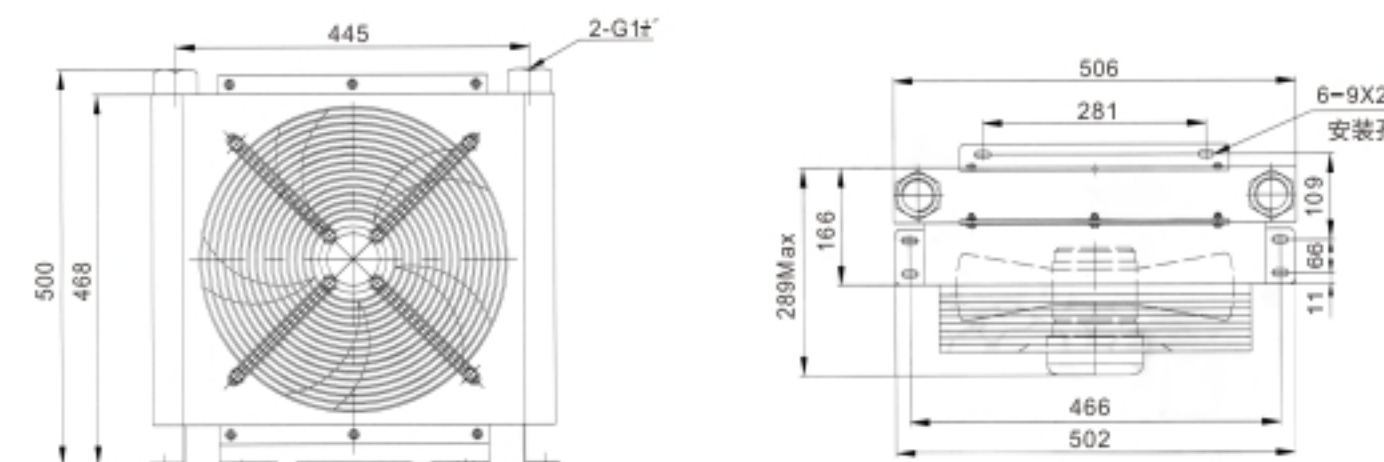
工程机械型
Construction Machinery Model

产品规格 Product Specification

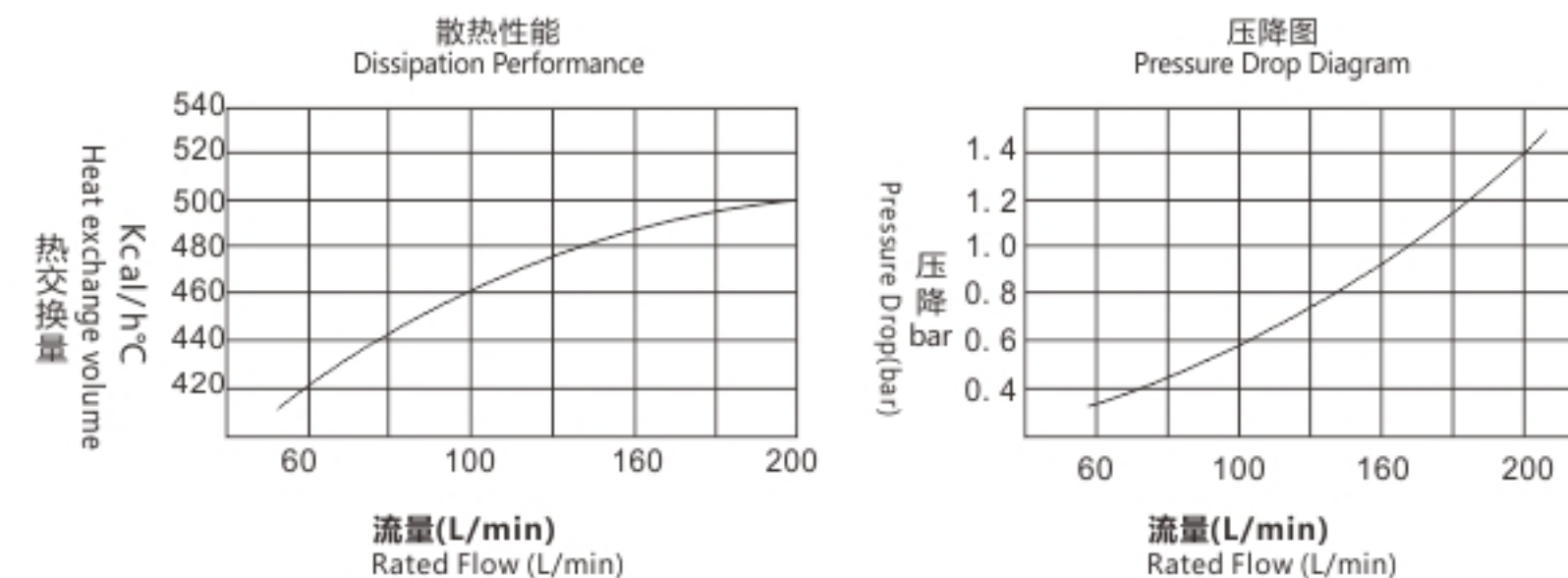


型号 Model NO	HDC200L-CA		
额定流量 Rated Flow	200L/min		
工作压力 Working Pressure	≤2.0MPa		
风扇功率 Fan Power	60W	50W	160W
风扇电压 Fan Voltage	380V	220V	24V

尺寸图 Dimensions



性能图 Performance



冷却器用于定量泵系统回路时，必须加装旁通卸载回路防止系统启动时产生脉冲压力过高而损坏散热器。
When the cooler is used in the quantitative pump system loop, the bypass unloading circuit must be installed to prevent the pulse pressure from being too high to damage the radiator once the system starts.



HDC300L-A2风冷式油冷却器 HDC300L-A2 Air Cooled Heat Exchanger

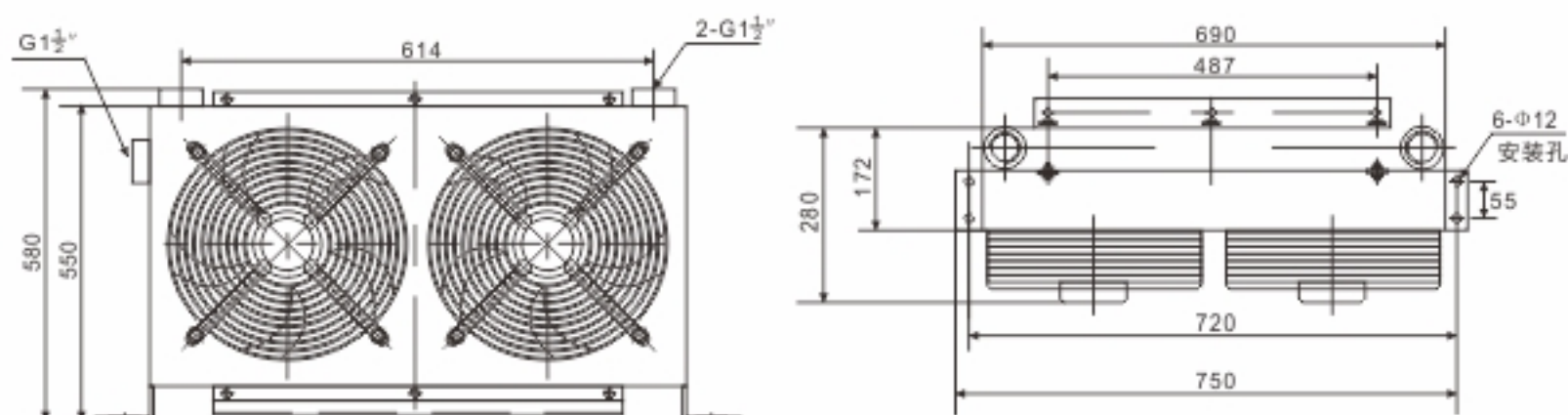
工程机械型
Construction Machinery Model

产品规格 Product Specification

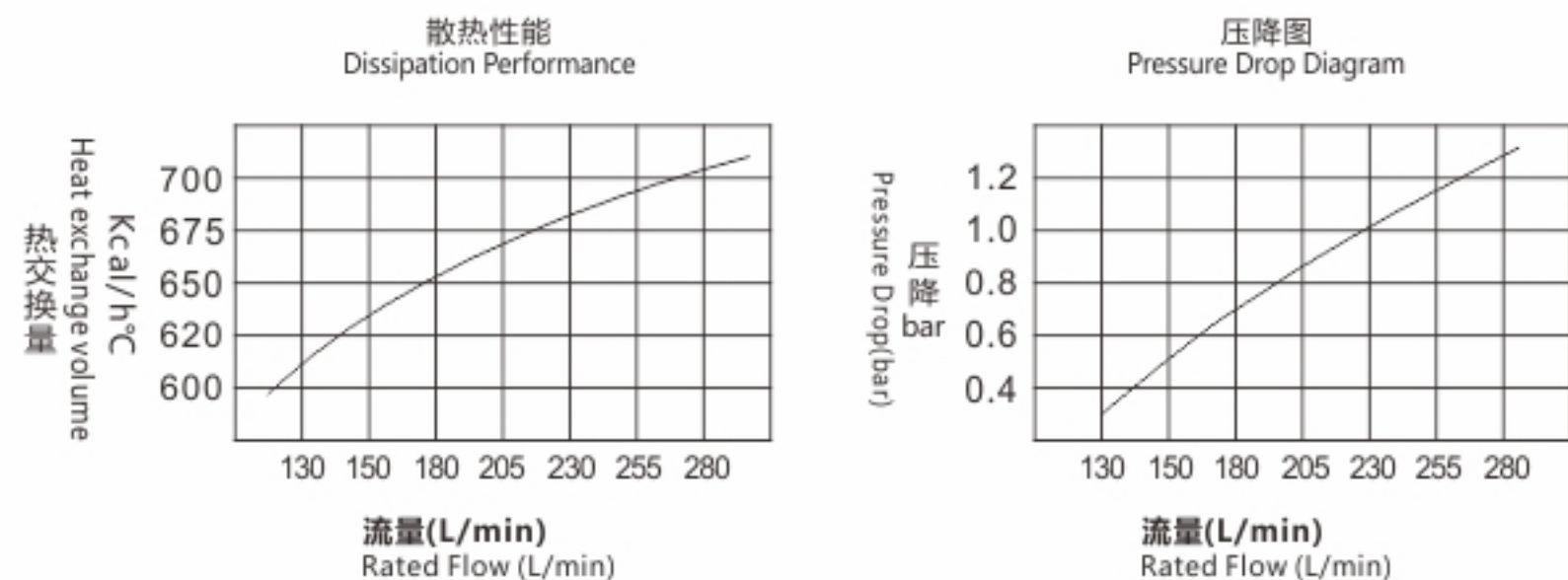


型号 Model NO	HDC300L-A2		
额定流量 Rated Flow	300L/min		
工作压力 Working Pressure	≤2.0MPa		
风扇功率 Fan Power	75Wx2	85Wx2	160Wx2
风扇电压 Fan Voltage	380V	220V	24V
散热面积 Dissipating Area	14m ²		

尺寸图 Dimensions



性能图 Performance



冷却器用于定量泵系统回路时，必须加装旁通卸载回路防止系统启动时产生脉冲压力过高而损坏散热器。
When the cooler is used in the quantitative pump system loop, the bypass unloading circuit must be installed to prevent the pulse pressure from being too high to damage the radiator once the system starts.

HDC450L-A2风冷式油冷却器 HDC450L-A2 Air Cooled Heat Exchanger

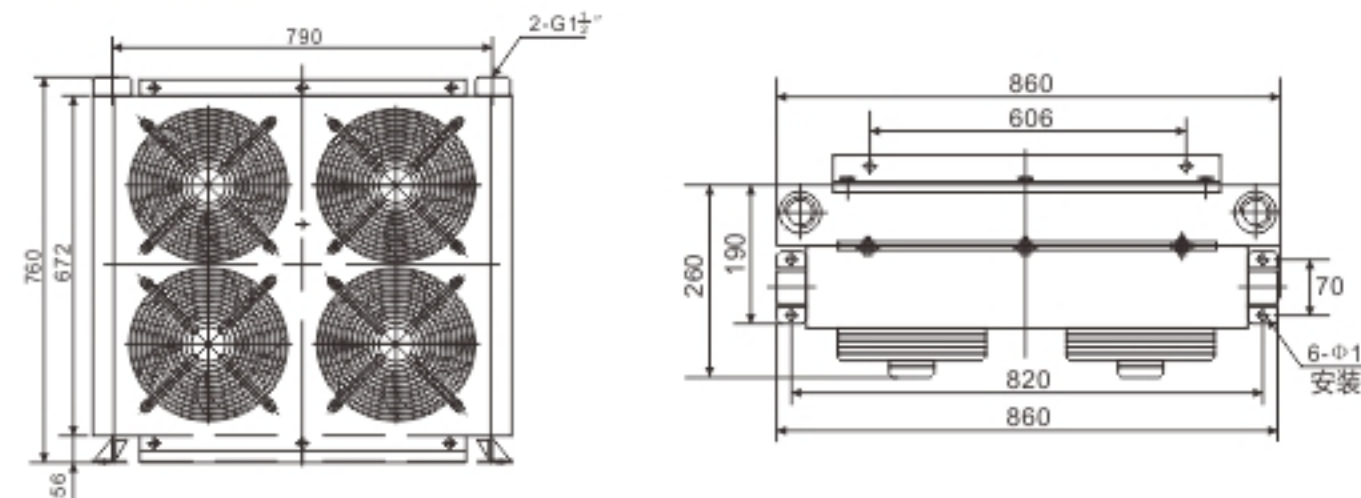
工程机械型
Construction Machinery Model

产品规格 Product Specification

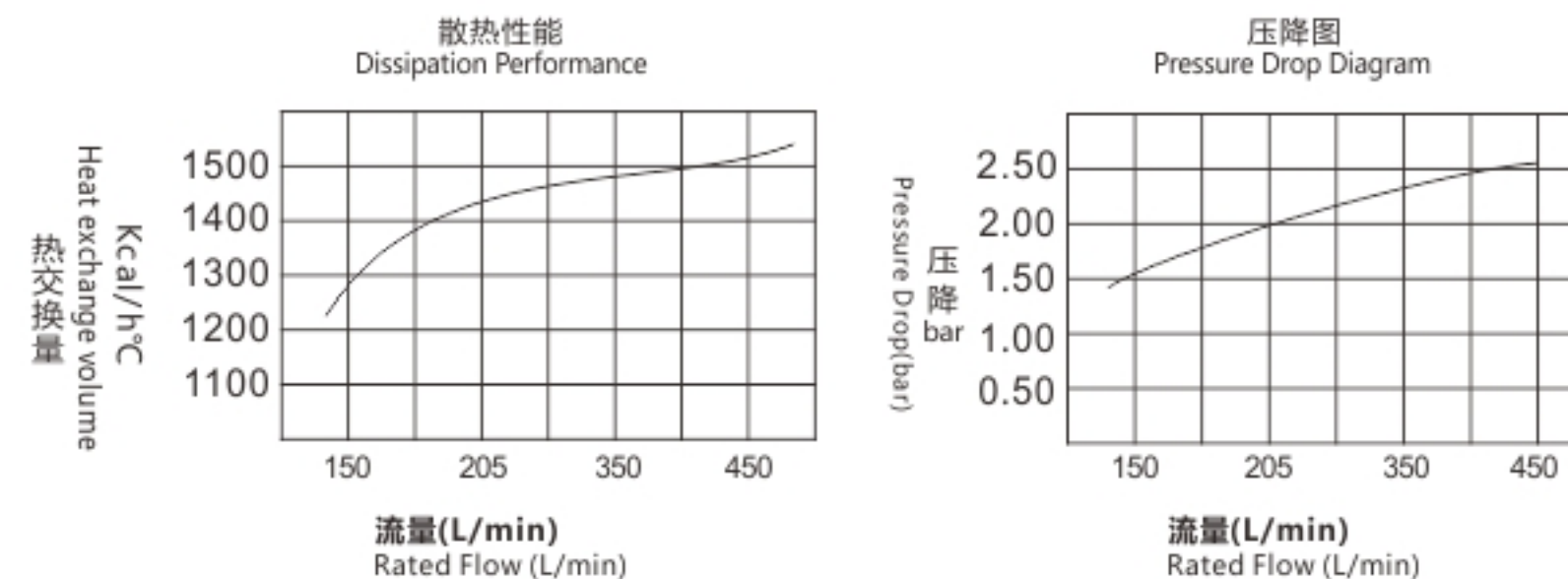


型号 Model NO	HDC450L-A2		
额定流量 Rated Flow	450L/min		
工作压力 Working Pressure	≤2.0MPa		
风扇功率 Fan Power	60Wx4	50Wx4	120Wx4
风扇电压 Fan Voltage	380V	220V	24V
散热面积 Dissipating Area	28.0m ²		

尺寸图 Dimensions



性能图 Performance



冷却器用于定量泵系统回路时，必须加装旁通卸载回路防止系统启动时产生脉冲压力过高而损坏散热器。
When the cooler is used in the quantitative pump system loop, the bypass unloading circuit must be installed to prevent the pulse pressure from being too high to damage the radiator once the system starts.



风冷HDC系列
Air-Cooled HDC Series



风冷HDC系列
Air-Cooled HDC Series

DXB系列高效电机型风冷却器

DXB Series High Efficiency Motor Type Aired Oil Cooler

产品应用与特点 Application & Features



应用领域 Application

适用于液压系统、液压泵站、稀油润滑泵站、风力发电齿轮箱、矿山机械、数控机床、工程机械、减速机压力润滑冷却等大型液压设备油散热冷却。

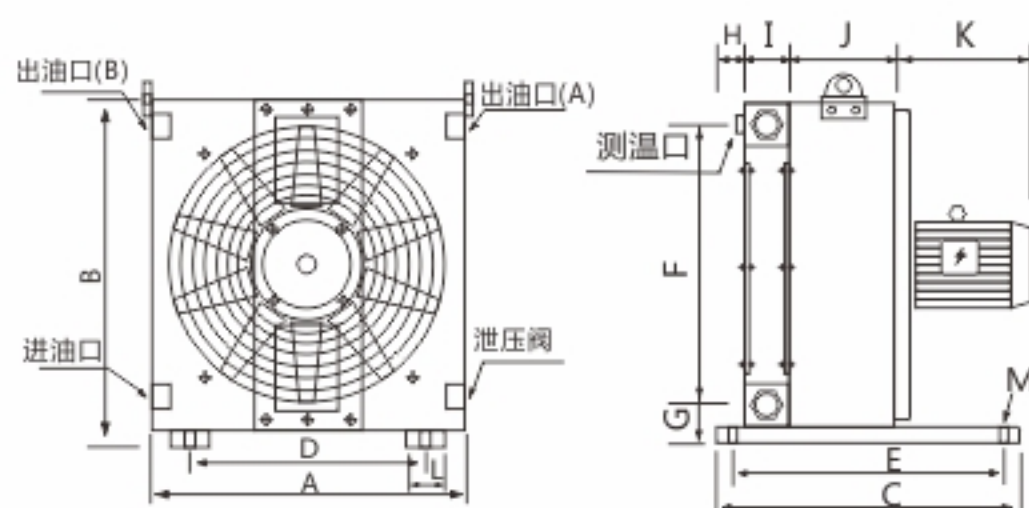
It widely applies in hydraulic system, hydraulic pump station, thin oil lubricating pump station, wind power generation gear box, mine machinery, CNC machine tool engineering machinery, pressure lubrication cooling of reducer and other large hydraulic equipment.

应用特点 Features

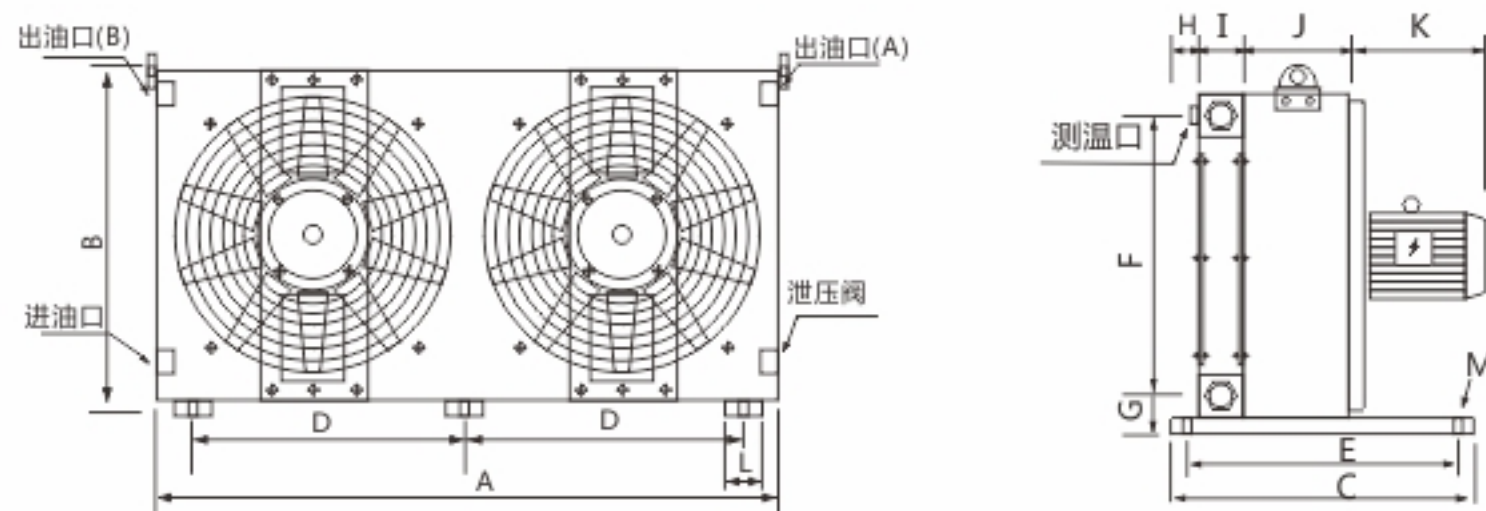
本系列产品设计采用高效节能电机驱动高强度玻璃纤维风叶和铝合金真空钎焊板翅式换热器组合而成，能够满足各种液压系统润滑系统的油温散热冷却要求。

As to the design of this series of products, we adopt a combination of high-effective and energy-saving motors with driving enhanced glass fiber wind blades and aluminum alloy vacuum brazing plate fin heat exchanger, which can meet the hydraulic oil temperature cooling requirements of lubrication systems.

产品尺寸图 Dimensions



DXB-3~DXB-11



DXB-12~DXB-15

型号参数表 Model Data Sheet

参数	型号	DXB-3	DXB-4	DXB-5	DXB-6	DXB-7	DXB-8	DXB-9	DXB-10	DXB-11	DXB-12	DXB-13	DXB-14	DXB-15
冷却能力(KW)		12	18	25	35	50	65	80	100	120	140	170	220	260
最大流量(L/min)		100	150	200	250	300	350	400	500	600	700	800	900	1000
最高压力(bar)		35	35	35	35	35	35	35	25	25	25	25	25	25
电机功率(KW)		0.55	0.75	1.1	1.5	1.5	2.2	3	3	4	2.2x2	3x2	3x2	4x2
使用电压(V)		380	380	380	380	380	380	380	380	380	380	380	380	380
进出口螺纹		G1"	G1-1/4"	G1-1/4"	G1-1/4"	G1-1/4"	G1-1/2"	G1-1/2"	G1-1/2"	G1-1/2"	G2"	G2"	G2"	G2"
测温口螺纹		G3/8"	G3/8"	G3/8"	G3/8"	G3/8"	G3/8"	G3/8"	G3/8"	G3/8"	G3/8"	G3/8"	G3/8"	G3/8"
A		385	490	545	590	590	710	795	930	1050	1400	1600	1800	2000
B		460	525	560	585	585	725	880	1020	1170	725	880	1020	1170
C		350	350	350	450	450	450	500	600	600	450	500	600	600
D		290	390	450	490	490	560	645	700	700	560	645	700	800
E		310	310	310	400	400	400	450	550	550	400	450	550	550
F		384	434	475	495	495	634	780	920	1070	575	720	900	1050
G		45	50	50	50	50	50	55	70	70	90	90	90	90
H		40	40	40	50	50	50	50	50	50	50	50	50	50
I		50	70	70	70	90	90	90	90	110	110	110	110	110
J		120	120	120	150	150	150	180	180	180	180	180	180	180
K		260	260	275	300	300	330	330	330	360	330	330	330	360
L		35	40	40	40	40	40	45	50	50	50	50	50	50
M		12x18	12x18	12x18	12x18	12x18	12x18	12x18	18x25	18x25	18x25	18x25	18x25	18x25

i

- 冷却能力：在 $\Delta T=40$ 时的冷却功率。
不同的电压有不同的消耗功率，本表仅以AC380V为例。
(其他定制电压有AC220V/415V/440V/660V)
- 电机防护等级：IP44 (其他定制产品还有IP55, IP56, IP65)。
- 电机绝缘等级：F级，符合国际CE标准。
- 冷却介质：液压油、润滑油、齿轮油和其他符合DIN51524标准的矿物油等，允许液体最大粘2000mm²/s。
上述表格无法满足选型需求时，请致电本公司技术部。

- Cooling capacity: cooling power at $\Delta T=40$.
Different voltages have different power consumption. This table only takes AC380V as an example.
(Other customized voltage is AC220V/415V/440V/660V).
- Motor protection level: IP44 (other customized products are IP55, IP56 and IP65).
- Motor insulation level: F level, in line with international CE standards.
- Cooling medium: hydraulic oil, lubrication oil, gear oil and other mineral oils that meet the DIN51524 standard, The MAK. viscosity of the liquid is 2000mm²/s.
If the above table is not enough for your need, please directly contact us Tech Dept.

型号标注说明 How to Order

DXB 8 A3 5 N C X 0 0

防护装置 Protective Device

C=防尘网 S=防石网 Z=整体防护 0=无防护装置

温度控制器 Temp.Controller

4=40°C 温度开关 6=数显式温度传感器
5=50°C 温度开关 0=无温度传感器

风向 Wind Direction

X=吸风型 ◀标准品 C=吹风型

油口方向接管方式 Oil Joint Direction

C=侧进侧出 ◀标准品 S=上进上出

压力保护 Pressure Protection

N=内置压力保护阀 ◀标准品 W=外置压力保护阀

频率 Frequency

5=50HZ ◀标准品 6=60HZ ◀订制品

使用电压 Voltage

A3=AC380V ◀标准品 A2=AC220V
A4=AC415V A5=AC440V A6=AC660V

散热片规格 Plate Pieces

3/4/5/6/7/8/9/10/11/12/13/14/15

冷却器类型 Cooler Type

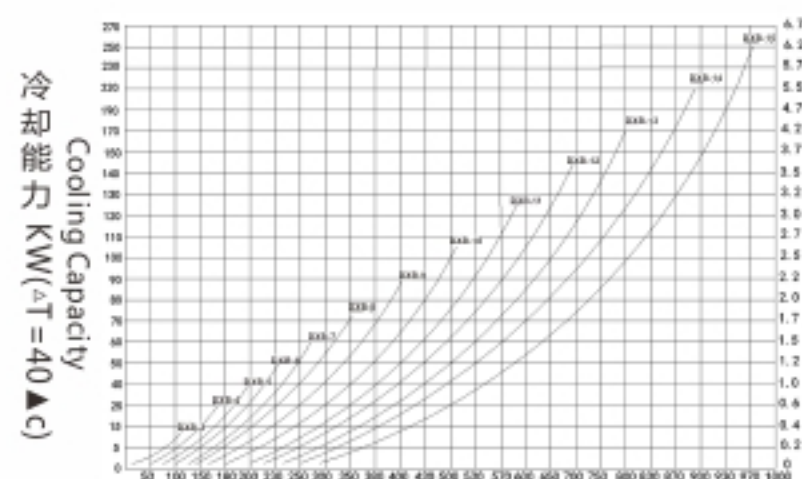
DXB 系列高效电机型风冷却器



风冷DX系列
Air-Cooled DX Series

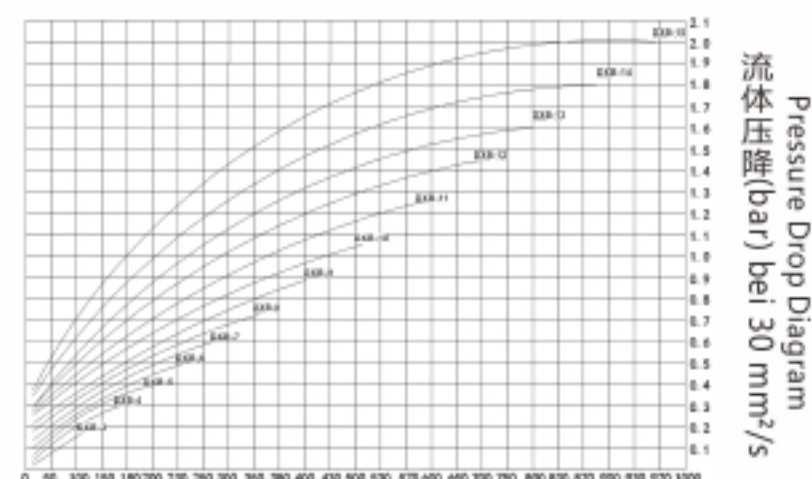
性能图 Performance

※ 冷却性能曲线图 Dissipation Performance Diagram



流量 L/min
Ranted Flow(L/min)

※ 压降曲线图 Pressure Drop Diagram



流量 L/min
Ranted Flow(L/min)

DXC系列轴流风机型风冷却器

DXC Series Axial Flow Fan Type Aired Oil Cooler

产品应用与特点 Application & Features



应用领域 Application

适用于机床液压系统、液压机、液压泵站、成型机械、注塑机械、螺杆压缩机、混凝土机械等液压系统油冷却。

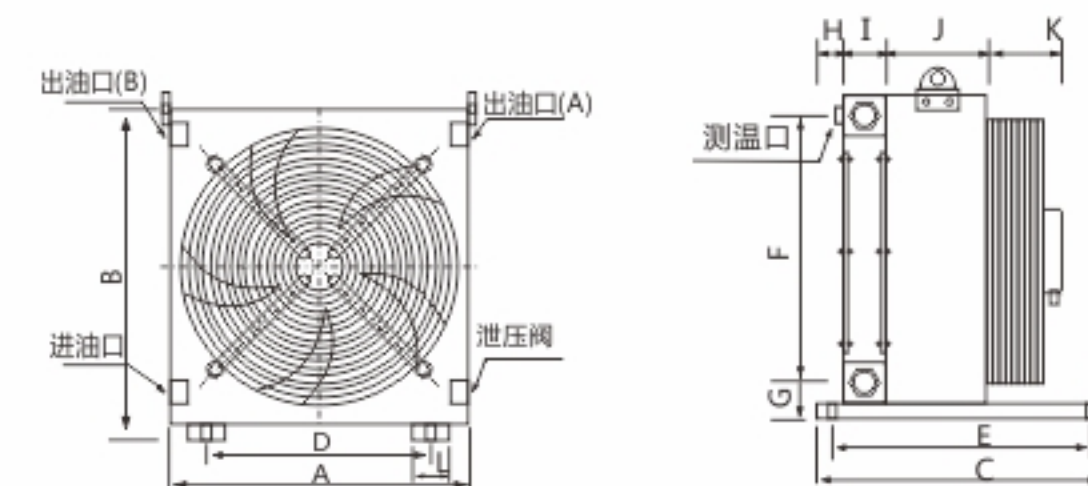
It applies in the hydraulic system of machine tool, hydraulic machine, hydraulic pump station, molding machine, injection machine, screw compressor, concrete machinery and other hydraulic system oil cooling.

应用特点 Features

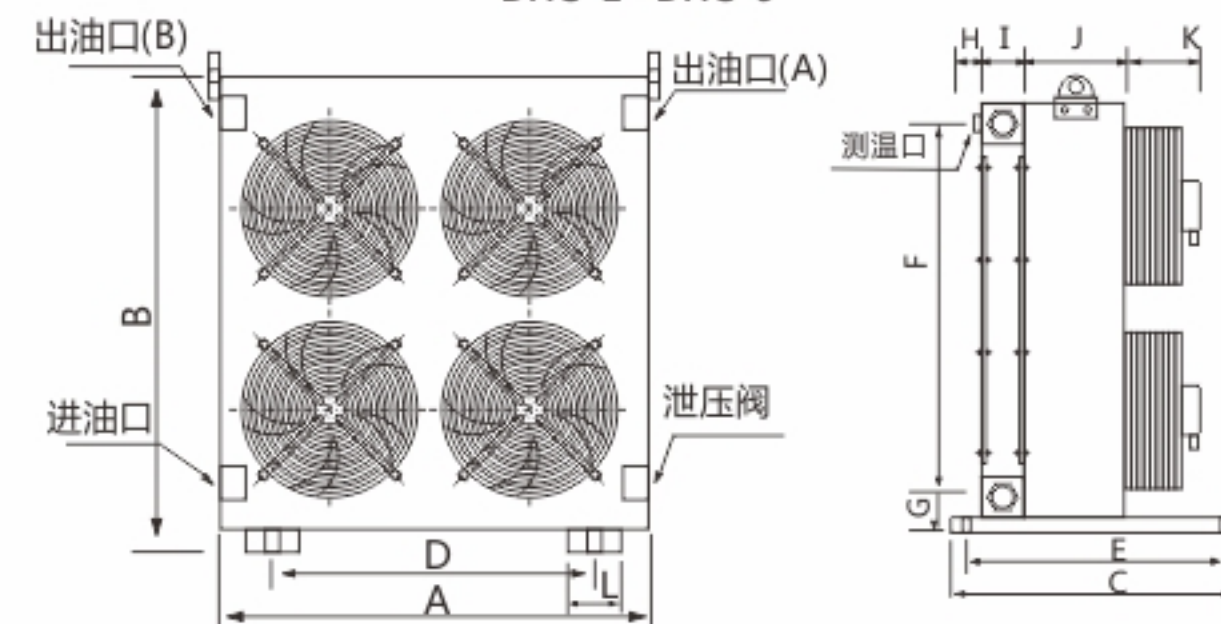
本系列产品设计采用外转子高速轴流风机和铝合金真空钎焊翅片换热器组合而成。产品设计原理是空气/油热交换冷却，在风扇的作用下使低温气流穿过散热器的外传热翅片，从而将热量强制性冷却。散热器油液通道内部也设计有传热翅片，极大地增加了其散热效率。

The design of this series is composed of outer-rotor high speed axial flow fan and aluminum alloy vacuum brazed plate fin heat exchanger. The principle of product design is exchanging air and oil heat to cool, that means, the low temperature air flow is passed through the heat transfer fins of the radiator to compulsively cool the heat under the fan operation. Heat transfer fins are also added into the radiator oil channel, which greatly increases its heat dissipation efficiency.

产品尺寸图 Dimensions



DXC-1~DXC-9



DXC-10~DXC-11



风冷DX系列
Air-Cooled DX Series

DXC系列轴流风机型风冷却器 DXC Series Axial Flow Fan Type Aired Oil Cooler

型号参数表 Model Data Sheet

参数	型号	DXC-1	DXC-2	DXC-3	DXC-4	DXC-5	DXC-6	DXC-7	DXC-8	DXC-9	DXC-10	DXC-11
冷却能力(KW)		5	10	15	20	25	30	40	50	60	70	80
最大流量(L/min)		50	80	100	150	200	250	300	350	400	500	600
最高压力(bar)		35	35	35	35	35	35	35	35	35	35	25
电机功率(KW)		33/38	50/55	129/129	180/180	180/180	250/250	250/250	480/500	520/550	180x4	250x4
使用电压(V)		220/380	220/380	220/380	220/380	220/380	220/380	220/380	220/380	220/380	220/380	220/380
进出口螺纹		G3/4"	G3/4"	G1"	G1-1/4"	G1-1/4"	G1-1/4"	G1-1/4"	G1-1/2"	G1-1/2"	G1-1/2"	G1-1/2"
测温口螺纹		G3/8"	G3/8"	G3/8"	G3/8"	G3/8"	G3/8"	G3/8"	G3/8"	G3/8"	G3/8"	G3/8"
A		250	330	385	490	545	590	590	710	795	930	1050
B		265	340	460	525	560	585	585	725	880	1020	1170
C		250	250	250	260	300	300	330	400	400	400	400
D		150	230	290	390	450	490	490	560	645	700	700
E		210	210	210	220	260	260	280	350	350	350	350
F		210	296	384	434	475	495	495	634	780	920	1070
G		40	40	45	50	50	50	50	50	55	70	70
H		40	40	40	40	40	40	40	50	50	50	50
I		50	50	50	70	70	70	90	90	90	90	110
J		80	80	100	100	120	120	120	150	150	150	150
K		-	70	90	100	100	100	100	110	120	100	100
L		35	35	40	40	40	40	40	45	50	50	50
M		12x18	12x18	12x18	12x18	12x18	12x18	12x18	12x18	18x25	18x25	18x25

风冷DX系列
Air-Cooled DX Series

- i**
- 冷却能力：在 $\Delta T=40$ 时的冷却助率。
不同的电压有不同的消耗功率，本表仅以AC220/380V为例。
(其他定制电压有AC110V/415V/440V/660V)
 - 电机防护等级：IP44/55。
 - 电机绝缘等级：B/F级，符合国际CE标准。
 - 冷却介质：液压油、润滑油、齿轮油和其他符合DIN51524标准的矿物油等，允许液体最大粘2000mm²/s。
上述表格无法满足选型需求时，请致电本公司技术部。
 - Cooling capacity: cooling power at $\Delta T=40$.
Different voltages have different power consumption. This table only takes AC220/380V as an example.
(Other customized voltage is AC110V/415V/440V/660V).
 - Motor protection level: IP44/55.
 - Motor insulation level: F level, in line with international CE standards.
 - Cooling medium: hydraulic oil, lubrication oil, gear oil and other mineral oils that meet the DIN51524 standard, The MAK. viscosity of the liquid is 2000mm²/s.
If the above table is not enough for your need, please directly contact us Tech Dept.

型号标注说明 How to Order

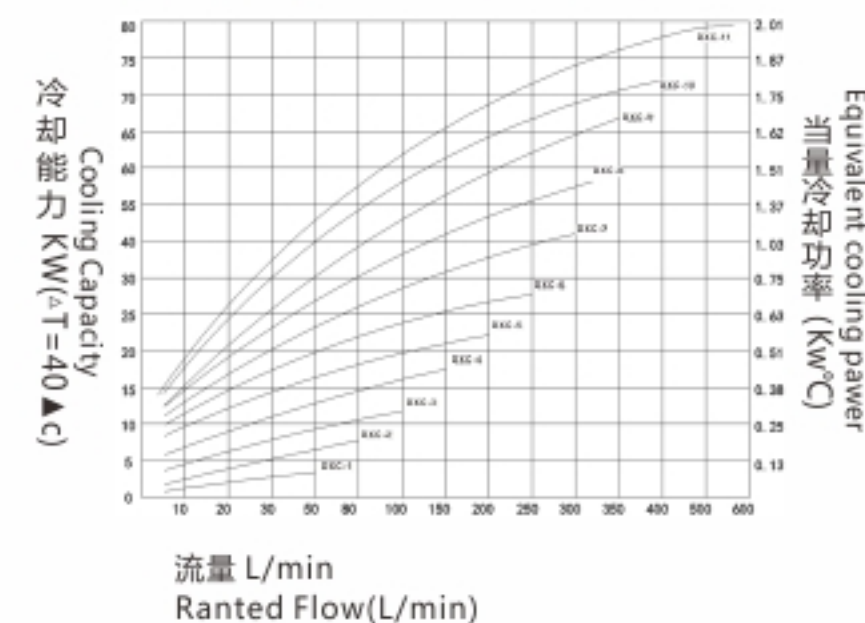
DXC 8 A3 5 N C X 0 0

- 防护装置 Protective Device**
C=防尘网 S=防石网 Z=整体防护 0=无防护装置
- 温度控制器 Temp.Controller**
4=40°C 温度开关 6=数显式温度传感器
5=50°C 温度开关 0=无温度传感器
- 风向 Wind Direction**
X=吸风型 ◀标准品 C=吹风型
- 油口方向接管方式 Oil Joint Direction**
C=侧进侧出 ◀标准品 S=上进上出
- 压力保护 Pressure Protection**
N=内置压力保护阀 ◀标准品 W=外置压力保护阀
- 频率 Frequency**
5=50HZ ◀标准品 6=60HZ ◀订制品
- 使用电压 Voltage**
A3=AC380V ◀标准品 A4=AC415V
A1=AC110V A2=AC220V A5=AC440V
- 散热片规格 Plate Pieces**
1/2/3/4/5/6/7/8/9/10/11
- 冷却器类型 Cooler Type**
DXC 系列轴流风机型风冷却器

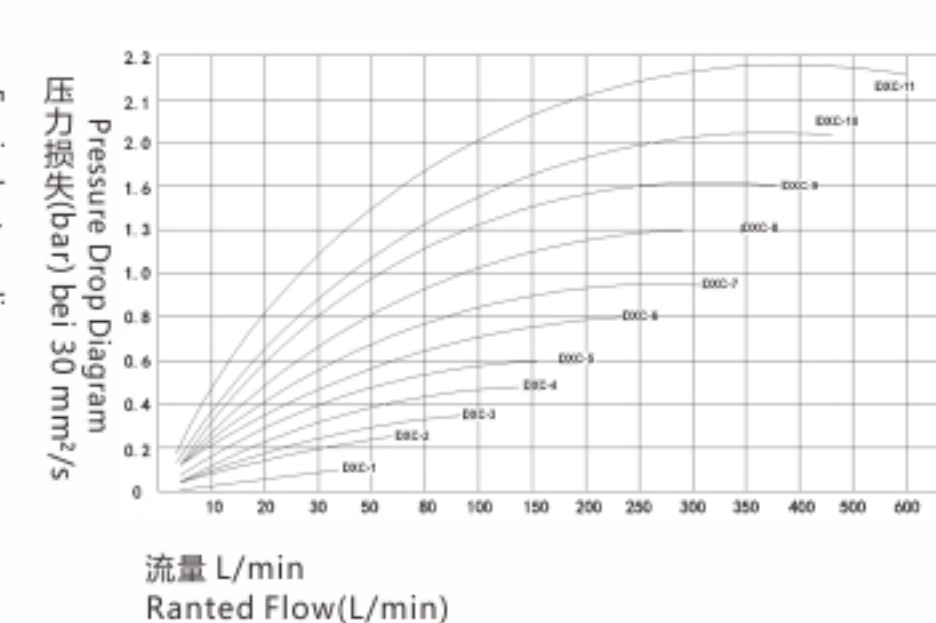
风冷DX系列
Air-Cooled DX Series

性能图 Performance

※ 冷却性能曲线图 Dissipation Performance Diagram



※ 压降曲线图 Pressure Drop Diagram



DXD系列直流风机型风冷却器 DXD Series Direct Current Fan Type Aired Oil Cooler

产品应用与特点 Application & Features



应用领域 Application

适用于各种工程机械，行走机械，公路机械，环卫机械，建筑机械，机床液压机械，液压泵站等各种液压机械移动机械油温散热冷却。

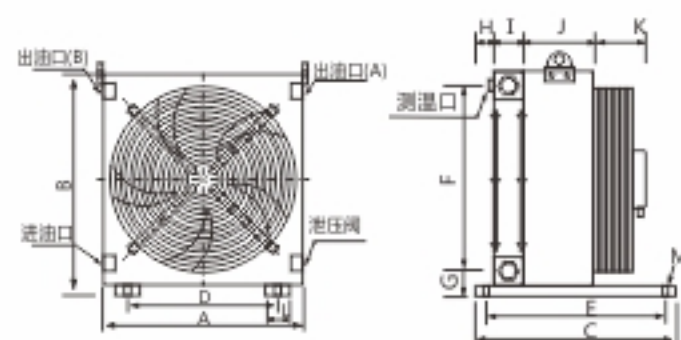
It applies in various kinds of engineering machinery, walking machinery, highway machinery, environmental sanitation machinery, construction machinery, machine tool hydraulic machinery, hydraulic pump station and other kinds of hydraulic aulic vehicles machinery oil temperature cooling.

应用特点 Features

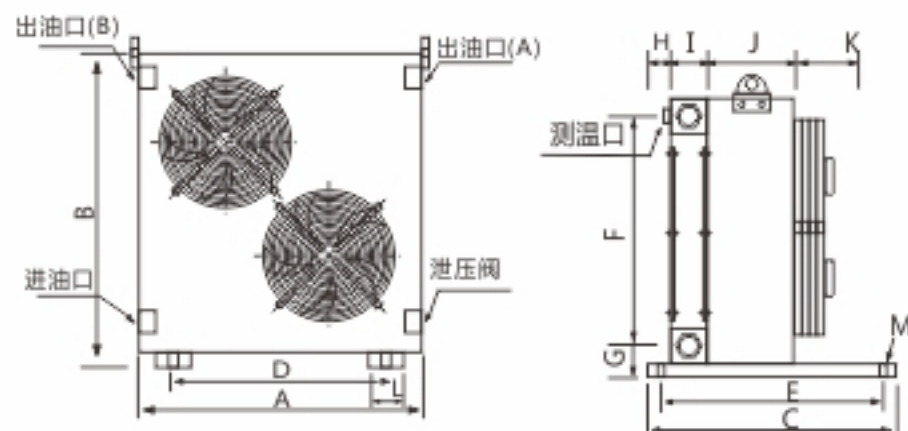
本系列产品设计外形紧凑，配置高速直流风扇，直流电机使用电压分为12V，24V，有刷电机使用寿命16000小时以上，无刷电机使用寿命30000小时以上，能够满足各种工程机械，行走机械液压系统油温散热冷却要求。

This series of products is compact in design, equipped with high speed direct current fans, direct current motors are divided into 12V and 24V voltage. The service life of the brush motor is more than 16000 hours, and the one of the brush-less motor is more than 30000 hours, which can meet the hydraulic system oil temperature cooling requirements of various engineering machines and walking machines.

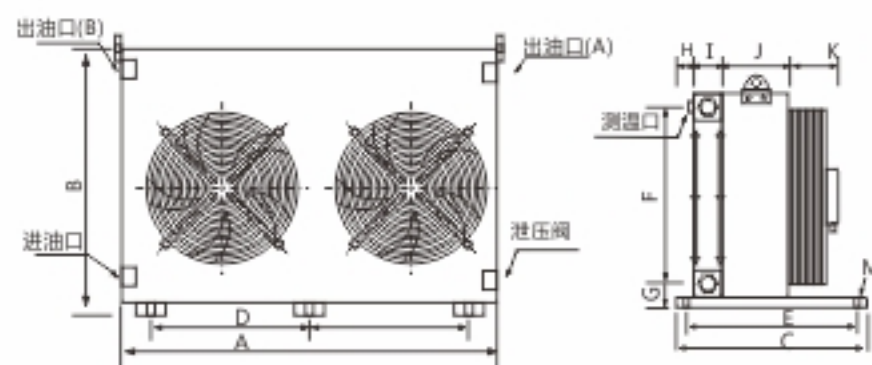
产品尺寸图 Dimensions



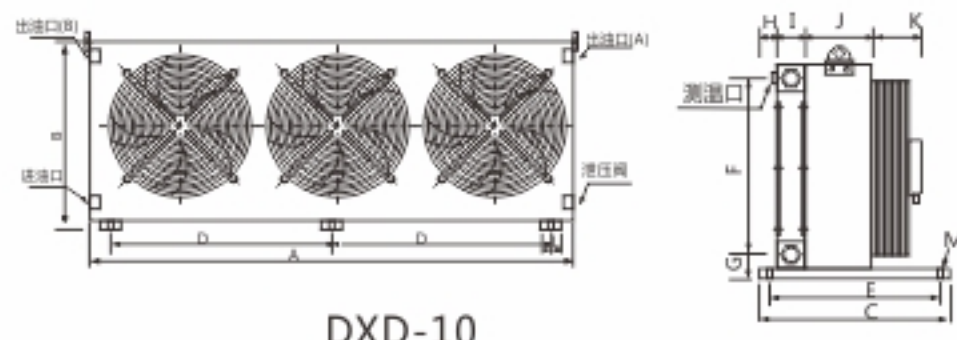
DXD-1~DXD-4



DXD-5~DXD-8



DXD-9



DXD-10

型号参数表 Model Data Sheet

参数	型号	DXD-1	DXD-2	DXD-3	DXD-4	DXD-5	DXD-6	DXD-7	DXD-8	DXD-9	DXD-10
冷却能力(KW)		4	8	13	18	22	30	40	45	55	65
最大流量(L/min)		50	80	100	150	200	250	300	350	500	700
最高压力(bar)		35	35	35	35	35	35	35	35	35	35
电机功率(KW)		16	80	80	160	80x2	80x2	160x2	160x2	160x2	160x2
使用电压(V)		24	24	24	24	24	24	24	24	24	24
进出口螺纹		G3/4"	G3/4"	G1"	G1-1/4"	G1-1/4"	G1-1/4"	G1-1/4"	G1-1/2"	G1-1/2"	G2"
测温口螺纹		G3/8"	G3/8"	G3/8"	G3/8"	G3/8"	G3/8"	G3/8"	G3/8"	G3/8"	G3/8"
A		250	330	385	490	545	590	590	710	900	1350
B		265	340	460	525	560	585	585	725	525	525
C		250	250	250	260	260	260	260	300	300	300
D		150	230	290	390	450	490	490	560	390	500
E		210	210	210	220	220	220	220	260	260	260
F		210	296	384	434	475	495	495	634	435	435
G		40	40	45	50	50	50	50	50	70	70
H		40	40	40	40	40	40	40	40	40	40
I		50	50	50	70	70	70	90	90	90	90
J		60	60	60	60	60	60	60	60	60	60
K		-	45	45	45	45	45	45	45	45	45
L		35	35	40	40	40	40	40	45	50	50
M		12x18	12x18	12x18	12x18	12x18	12x18	12x18	12x18	18x25	18x25



- 冷却能力：在 $\Delta T=40$ 时的冷却功率。
不同的电压有不同的消耗功率，本表仅以DC24V为例。
(其他定制电压有DC12V)
- 电机防护等级：IP68。
- 电机绝缘等级：F级，符合国际CE标准。
- 冷却介质：液压油、润滑油、齿轮油和其他符合DIN51524标准的矿物油等，允许液体最大粘2000mm²/s。
上述表格无法满足选型需求时，请致电本公司技术部。

- Cooling capacity: cooling power at $\Delta T=40$.
Different voltages have different power consumption. This table only takes DC24V as an example.
(Other customized voltage is DC12V).
- Motor protection level: IP68.
- Motor insulation level: F level, in line with international CE standards.
- Cooling medium: hydraulic oil, lubrication oil, gear oil and other mineral oils that meet the DIN51524 standard, The MAK. viscosity of the liquid is 2000mm²/s.
If the above table is not enough for your need, please directly contact us Tech Dept.

型号标注说明 How to Order

DXD 8 A3 5 N C X 0 0

防护装置 Protective Device
C=防尘网 S=防石网 Z=整体防护 0=无防护装置

温度控制器 Temp.Controller
4=40°C 温度开关 6=数显式温度传感器
5=50°C 温度开关 0=无温度传感器

风向 Wind Direction
X=吸风型 ◀标准品 C=吹风型

油口方向接管方式 Oil Joint Direction
C=侧进侧出 ◀标准品 S=上进上出

压力保护 Pressure Protection
N=内置压力保护阀 ◀标准品 W=外置压力保护阀

频率 Frequency
5=50HZ

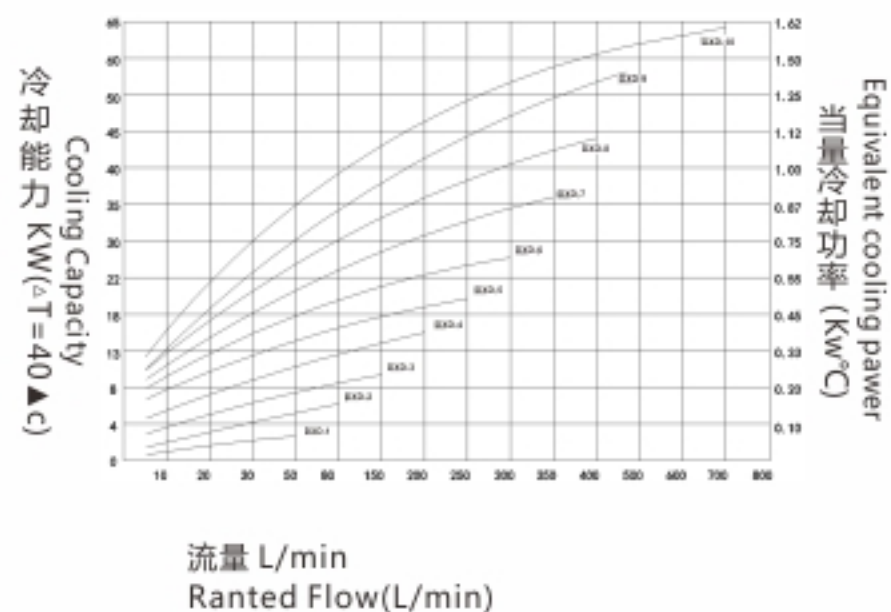
使用电压 Votage
A3=AC380V ◀标准品 A2=AC220V
A4=AC415V A5=AC440V A6=AC660V

散热片规格 Plate Pieces
3/4/5/6/7/8/9/10/11/12/13/14/15

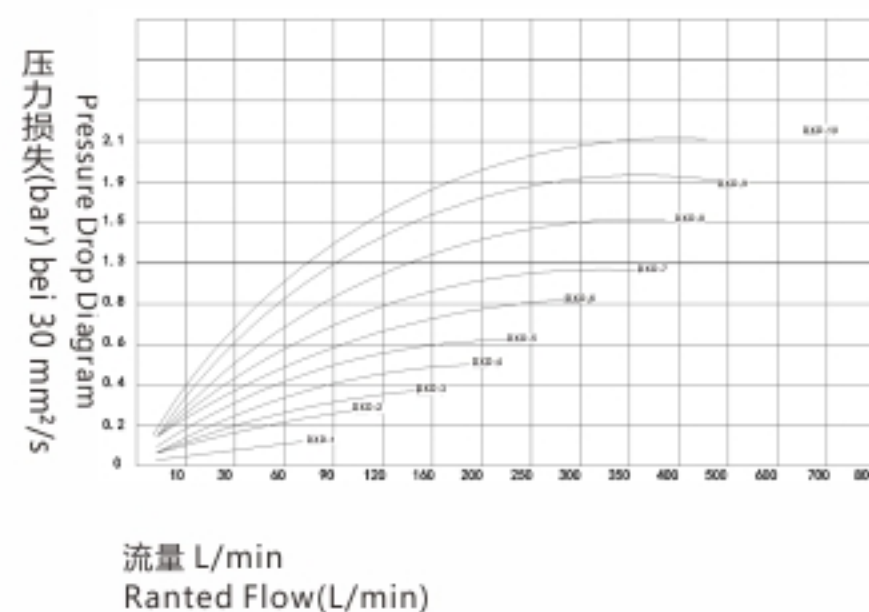
冷却器类型 Cooler Type
DXD 系列高效电机型风冷却器

性能图 Performance

※ 冷却性能曲线图 Dissipation Performance Diagram



※ 压降曲线图 Pressure Drop Diagram



DXF系列防爆电机型风冷却器 DXF Series Explosion-proof Motor Type Aired Oil Cooler

产品应用与特点 Application & Features



应用领域 Application

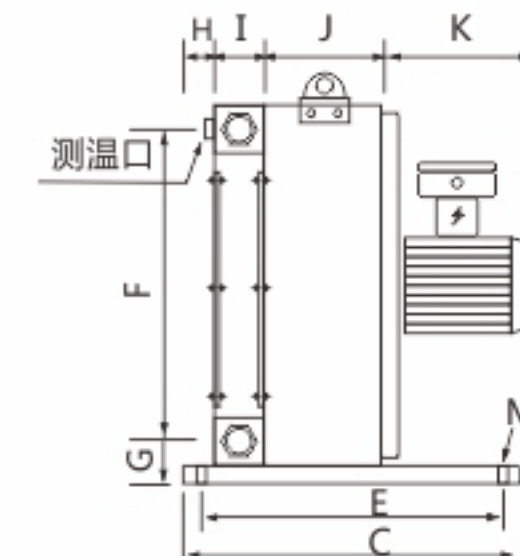
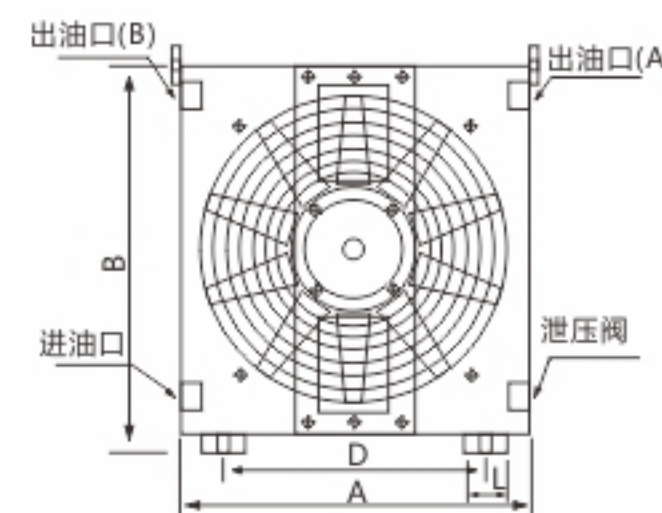
适用于防爆液压系统，防爆液压泵站，防爆润滑系统，煤矿机械，隧道设备，化工设备，油气田设备，粉尘防爆，气体防爆，瓦斯等易燃易爆场合。 It applies in explosion-proof hydraulic system, explosion-proof hydraulic pump station, explosion-proof lubrication system, coal mine machinery, tunnel equipent, chemical equipment, oil and gas field equipment, dust explosion, gas explosion, gas and other inflammable and explosive occasions.

应用特点 Features

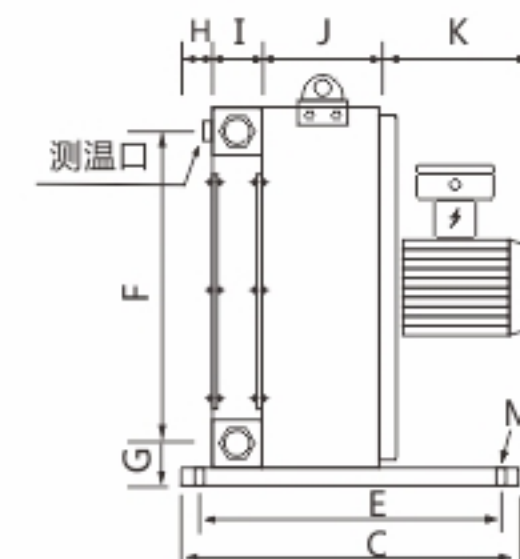
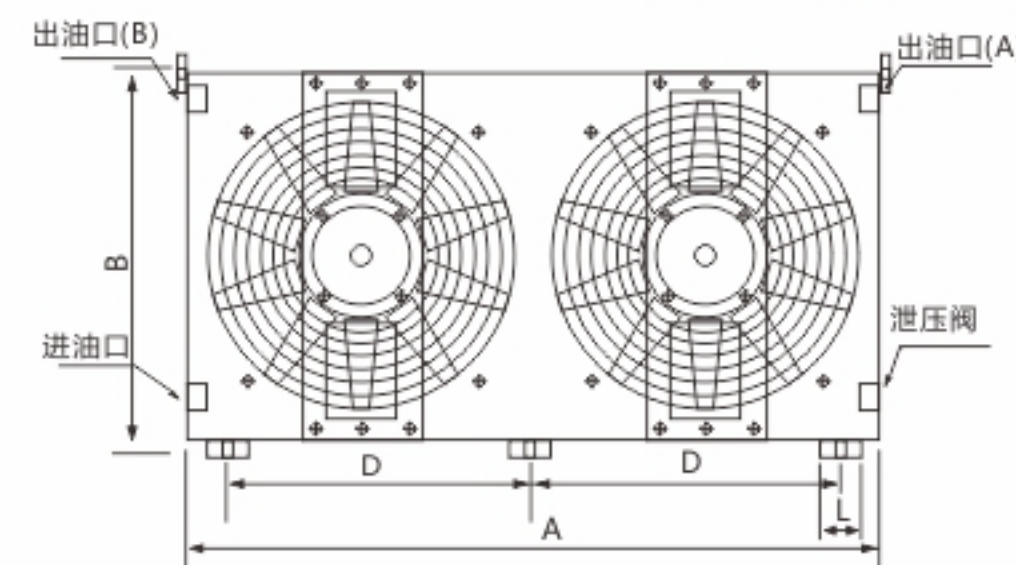
本系列产品外形设计采用防爆等级Exd II BT4和Exd II CT4的高性能防爆电机驱动高强度碳纤维防静电材质风叶，散热板为铝合金真空钎焊翅片式换热器，表面喷涂防静电抗腐蚀涂层。特殊规格还可以定制全铜管翅片式散热器，能够满足各种防爆场合液压系统润滑系统的散热冷却要求。

As to the design of this series of products, we adopt a combination of high performance Exd II Bt4 and Exd II Ct4 explosion-proof motor with driving enhanced carbon fiber anti-static material wind blade, and aluminum alloy vacuum brazing plate fin heat exchanger with spraying an anti-static corrosion resistant surface. What's more, it can be customized for copper tube copperfin radiator, which can meet the cooling requirements of barious kinds of explosion-proof hydraulic lubrication system.

产品尺寸图 Dimensions



DXF-3~DXF-11



DXF-12~DXF-15

DXF系列防爆电机型风冷却器 DXF Series Explosion-proof Motor Type Aired Oil Cooler

型号参数表 Model Data Sheet

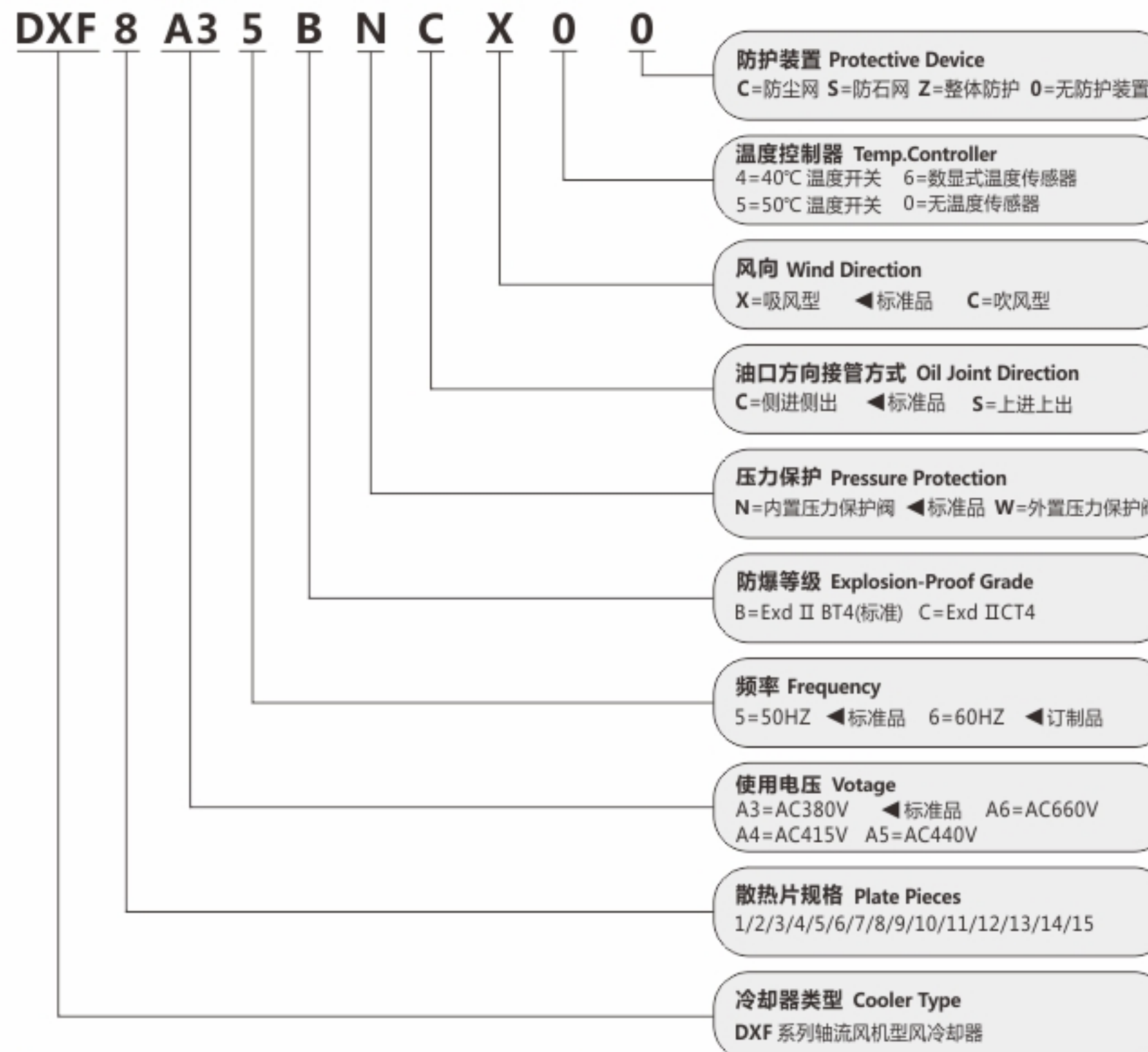
参数	型号	DXF-3	DXF-4	DXF-5	DXF-6	DXF-7	DXF-8	DXF-9	DXF-10	DXF-11	DXF-12	DXF-13	DXF-14	DXF-15
冷却能力(KW)		12	18	25	35	50	65	80	100	120	140	170	220	260
最大流量(L/min)		100	150	200	250	300	350	400	500	600	700	800	900	1000
最高压力(bar)		35	35	35	35	35	35	35	25	25	25	25	25	25
电机功率(KW)		0.55	0.75	1.1	1.5	1.5	2.2	3	3	4	2.2x2	3x2	3x2	4x2
使用电压(V)		380	380	380	380	380	380	380	380	380	380	380	380	380
进出口螺纹		G1"	G1-1/4"	G1-1/4"	G1-1/4"	G1-1/4"	G1-1/2"	G1-1/2"	G1-1/2"	G1-1/2"	G2"	G2"	G2"	G2"
测温口螺纹		G3/8"	G3/8"	G3/8"	G3/8"	G3/8"	G3/8"	G3/8"	G3/8"	G3/8"	G3/8"	G3/8"	G3/8"	G3/8"
A		385	490	545	590	590	710	795	930	1050	1400	1600	1800	2000
B		460	525	560	585	585	725	880	1020	1170	725	880	1020	1170
C		350	350	350	450	450	450	500	600	600	450	500	600	600
D		290	390	450	490	490	560	645	700	700	560	645	700	800
E		310	310	310	400	400	400	450	550	550	400	450	550	550
F		384	434	475	495	495	634	780	920	1070	575	720	900	1050
G		45	50	50	50	50	50	55	70	70	90	90	90	90
H		40	40	40	50	50	50	50	50	50	50	50	50	50
I		50	70	70	70	90	90	90	90	110	110	110	110	110
J		120	120	120	150	150	150	180	180	180	180	180	180	180
K		260	260	275	300	300	330	330	330	360	330	330	330	360
L		35	40	40	40	40	40	45	50	50	50	50	50	50
M		12x18	12x18	12x18	12x18	12x18	12x18	12x18	18x25	18x25	18x25	18x25	18x25	18x25

风冷DX系列
Air-Cooled DX Series

i

- 冷却能力：在 $\Delta T=40$ 时的冷却功率。
不同的电压有不同的消耗功率，本表仅以AC380V为例。
(其他定制电压有AC415V/440V/660V)
- 电机防护等级：IP44(其他定制产品还有IP56,IP65)。
- 电机绝缘等级：F级，符合国际CE标准。
- 冷却介质：液压油、润滑油、齿轮油和其他符合DIN51524标准的矿物油等，允许液体最大粘2000mm²/s。
上述表格无法满足选型需求时，请致电本公司技术部。
- Cooling capacity: cooling power at $\Delta T=40$.
Different voltages have different power consumption. This table only takes AC380V as an example.
(Other customized voltage is AC415V/440V/660V).
- Motor protection level: IP44(other products and IP56,IP65).
- Motor insulation level: F level, in line with international CE standards.
- Cooling medium: hydraulic oil, lubrication oil, gear oil and other mineral oils that meet the DIN51524 standard,The MAK. viscosity of the liquid is 2000mm²/s.
If the above table is not enough for your need, please directly contact us Tech Dept.

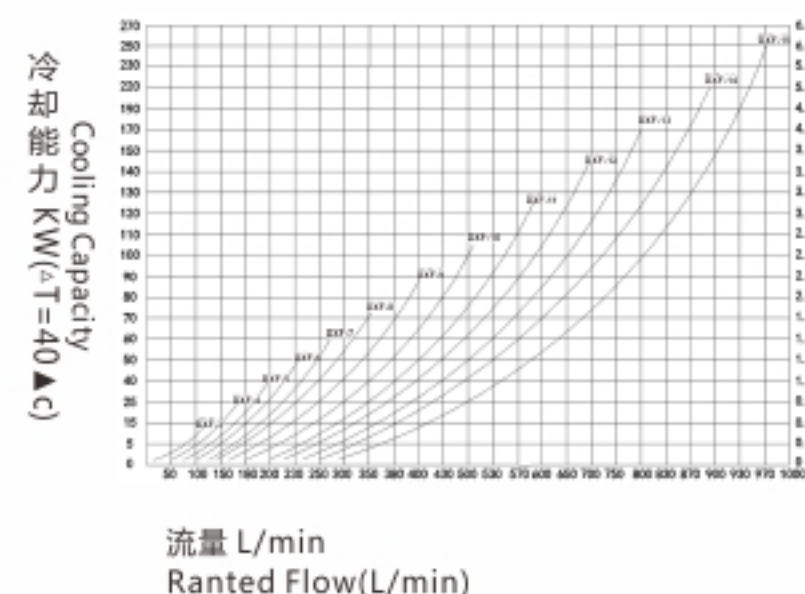
型号标注说明 How to Order



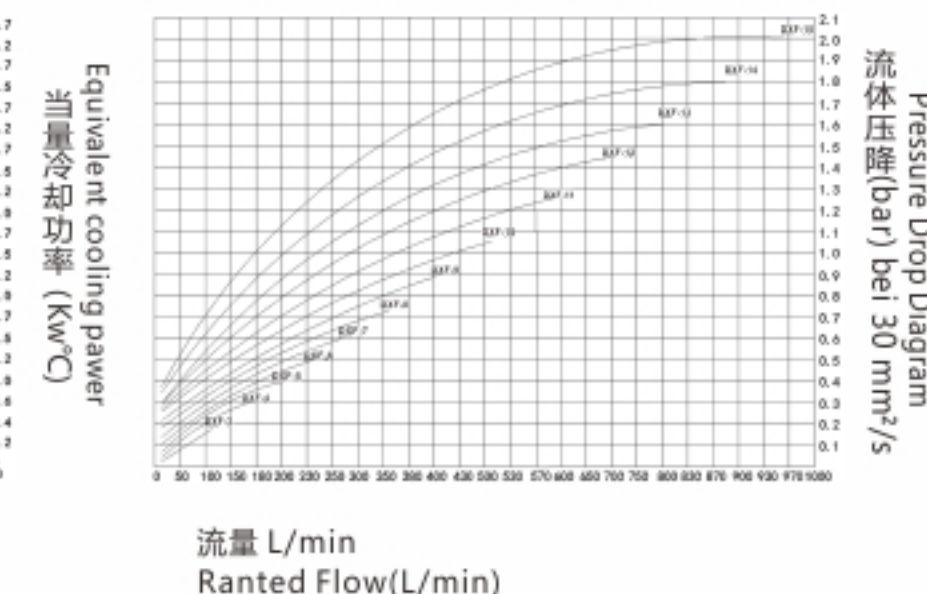
风冷DX系列
Air-Cooled DX Series

性能图 Performance

※ 冷却性能曲线图 Dissipation Performance Diagram



※ 压降曲线图 Pressure Drop Diagram



DXH系列液压马达型风冷却器 DXH Series Hydraulic Motor Type Aired Oil Cooler

产品应用与特点 Application & Features



应用领域 Application

适用于工程机械，液压起重机，混凝土泵机，液压旋挖钻机，桩工机械等移动机械，行走机械，液压系统和其他液压系统，液压泵站油温冷却散热。

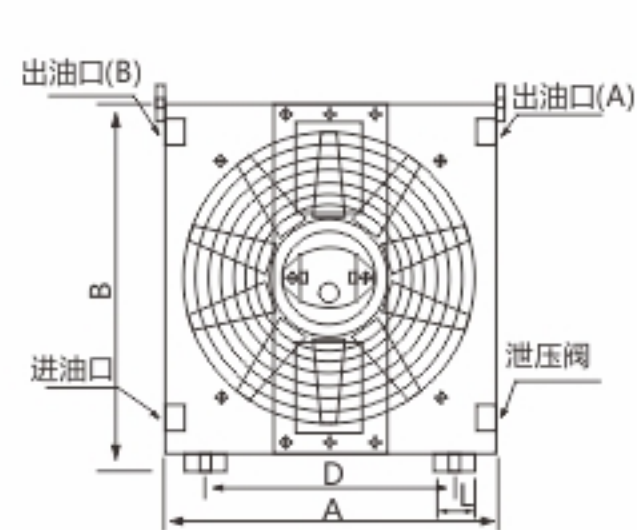
It applies in engineering machine, hydraulic crane concrete pump machine, hydraulic rotary drilling rig, piling machine and other vehicle machinery, walking machinery, hydraulic system and other hydraulic system, hydraulic pump station oil temperature cooling.

应用特点 Features

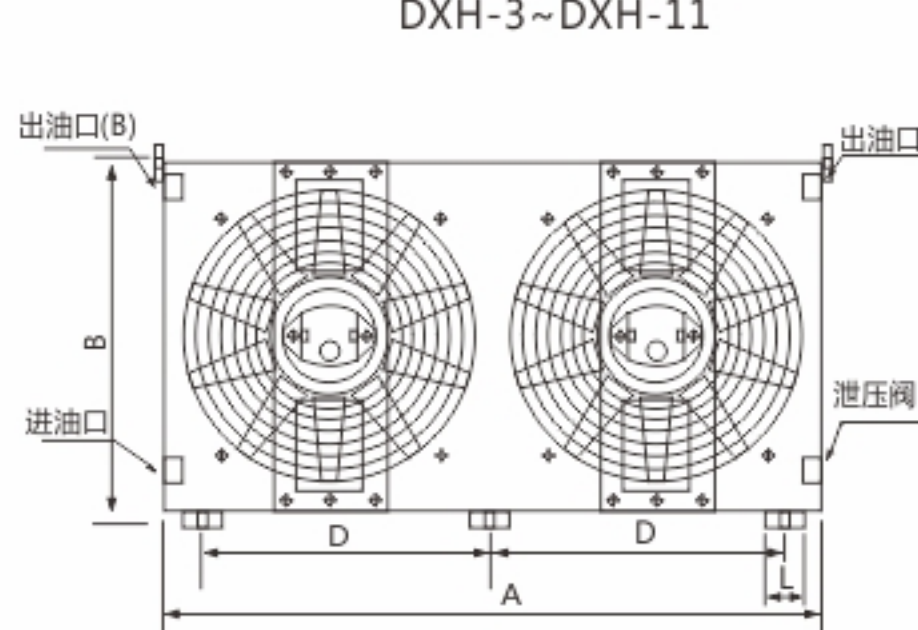
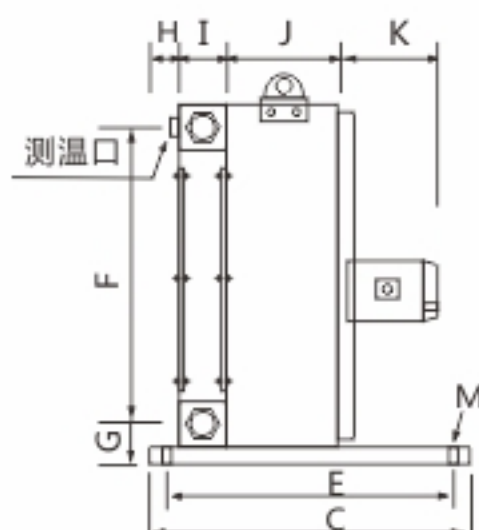
本系列产品设计采用铝合金高速齿轮液压马达驱动高强度碳纤维材质风叶和高性能的液压马达。可在恶劣的工作环境下长时间不间断工作，风冷却器的运行无需电源，与主机压力管路链接即可。液压马达驱动转速高风量能够满足各种工程机械液压系统的散热冷却要求。

The design of this series of products uses aluminum alloy high speed gear hydraulic motor with driving enhanced carbon fiber fan blade and high performance hydraulic motor. Without power supply, it can keep running for a long time under a bad working environment, just need to connect with the pressure piping of the main engine. What's more, it can meet the cooling requirements of various kinds of engineering hydraulic system.

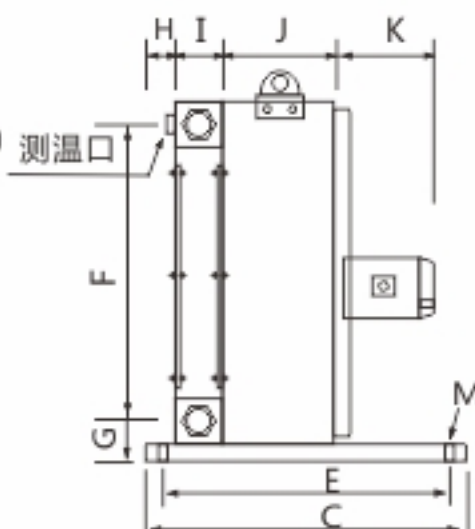
产品尺寸图 Dimensions



DXH-3~DXH-11



DXH-12~DXH-15



型号参数表 Model Data Sheet

参数	型号	DXH-3	DXH-4	DXH-5	DXH-6	DXH-7	DXH-8	DXH-9	DXH-10	DXH-11	DXH-12	DXH-13	DXH-14	DXH-15
冷却能力(KW)		12	18	25	35	50	65	80	100	120	140	170	220	260
最大流量(L/min)		100	150	200	250	300	350	400	500	600	700	800	900	1000
最高压力(bar)		35	35	35	35	35	35	35	25	25	25	25	25	25
马达排量(ml/r)		6	6	6	10	10	10	16	16	16	10x2	16x2	16x2	16x2
马达使用压力(Mpa)		20	20	20	20	20	20	20	20	20	20	20	20	20
马达转速(r/min)		2600	2600	2600	2600	2000	2000	1500	1500	1500	2000	1500	1500	1500
马达进出口螺纹		M22x1.5	M22x1.5	M22x1.5	M22x1.5	M22x1.5	M22x1.5	M22x1.5	M22x1.5	M22x1.5	M22x1.5	M22x1.5	M22x1.5	M22x1.5
马达泄油口螺纹		G1/4"	G1/4"	G1/4"	G1/4"	G1/4"	G1/4"	G1/4"	G1/4"	G1/4"	G1/4"	G1/4"	G1/4"	G1/4"
散热器进出口螺纹		G1"	G1-1/4"	G1-1/4"	G1-1/4"	G1-1/4"	G1-1/2"	G1-1/2"	G1-1/2"	G1-1/2"	G2"	G2"	G2"	G2"
散热器测温口螺纹		G3/8"	G3/8"	G3/8"	G3/8"	G3/8"	G3/8"	G3/8"	G3/8"	G3/8"	G3/8"	G3/8"	G3/8"	G3/8"
A		385	490	545	590	590	710	795	930	1050	1400	1600	1800	2000
B		460	525	560	585	585	725	880	1020	1170	725	880	1020	1170
C		350	350	350	4-50	4-50	450	500	500	500	450	500	500	500
D		290	390	450	490	490	560	645	700	700	560	645	700	800
E		310	310	310	400	400	400	450	450	450	400	450	450	450
F		384	434	475	495	495	634	780	920	1070	575	720	900	1050
G		45	50	50	50	50	50	55	70	70	90	90	90	90
H		40	40	40	50	50	50	50	50	50	50	50	50	50
I		50	70	70	70	90	90	90	110	110	no	110	110	110
J		120	120	120	150	150	160	180	180	180	180	180	180	180
K		125	125	125	135	135	135	140	140	140	140	140	140	140
L		35	40	40	40	40	40	45	50	50	50	50	50	50
M		12x18	12x18	12x18	12x18	12x18	12x18	12x18	18x25	18x25	18x25	18x25	18x25	18x25

i

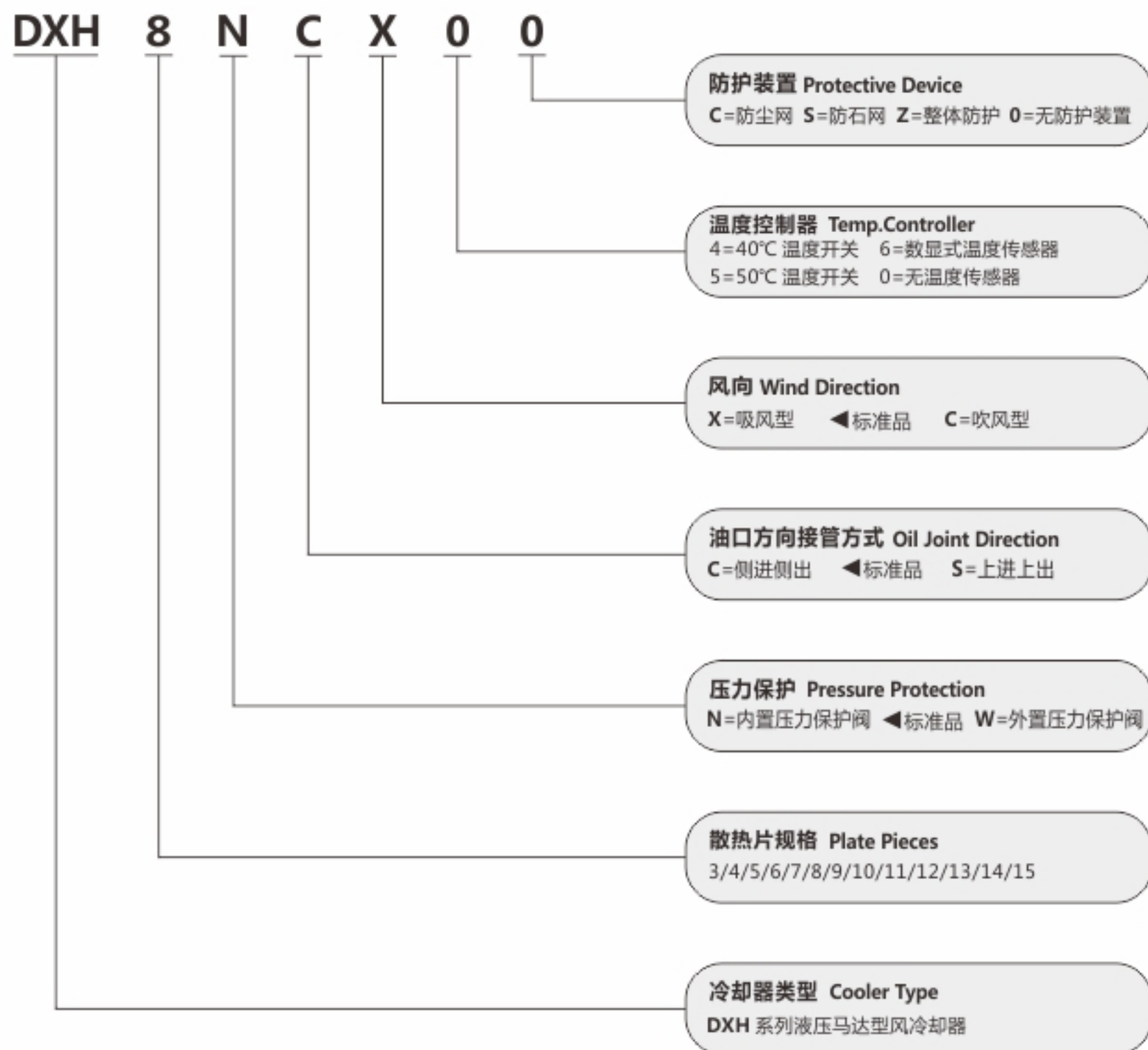
• 冷却能力：在 $\Delta T=40$ 时的冷却功率。
• 冷却介质：液压油、润滑油、齿轮油和其他符合 DIN51524 标准的矿物油等，允许液体最大粘 2000mm²/s。
上述表格无法满足选型需求时，请致电本公司技术部。

• Cooling capacity: cooling power at $\Delta T=40$.
• Cooling medium: hydraulic oil, lubrication oil, gear oil and other mineral oils that meet the DIN51524 standard, The MAX. viscosity of the liquid is 2000mm²/s.
If the above table is not enough for your need, please directly contact us Tech Dept.

风冷DX系列
Air-Cooled DX Series

风冷DX系列
Air-Cooled DX Series

型号标注说明 How to Order

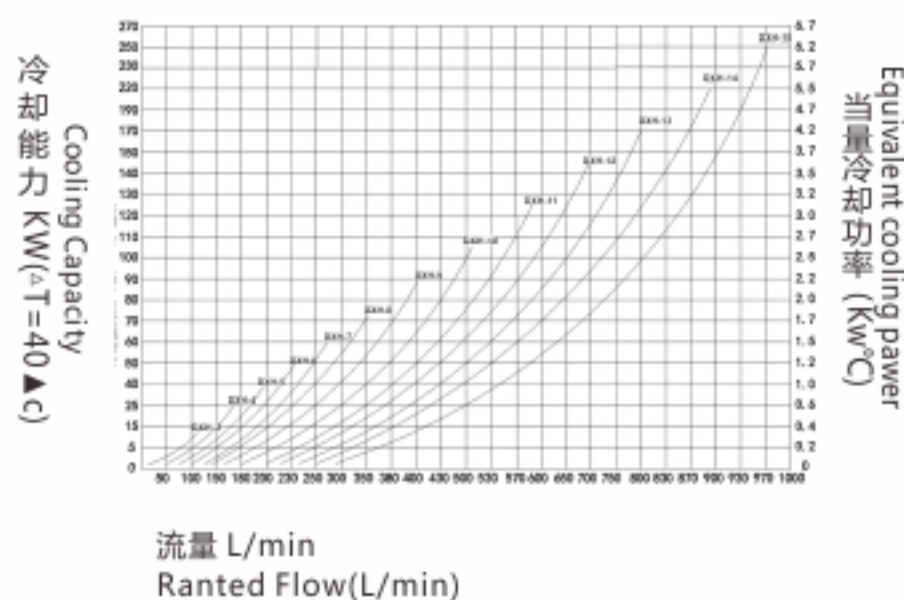


风冷DX系列
Air-Cooled DX Series

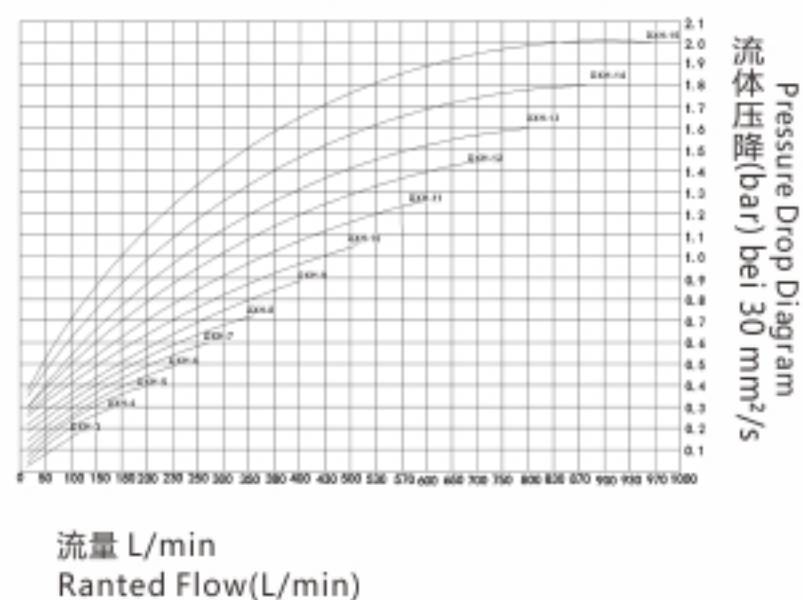
风冷DX系列
Air-Cooled DX Series

性能图 Performance

※冷却性能曲线图 Dissipation Performance Diagram



※压降曲线图 Pressure Drop Diagram



DXDL/A系列独立循环型风冷却器
DXDL/A Series Independent Loop Type Aired Oil Cooler

产品应用与特点 Application & Features



应用领域 Application

适用于大型液压机床、液压系统、润滑系统、稀油泵站、石油设备、矿山机械、桩工机械、减速机压力润滑冷却等大型液压设备润滑设备独立散热冷却。

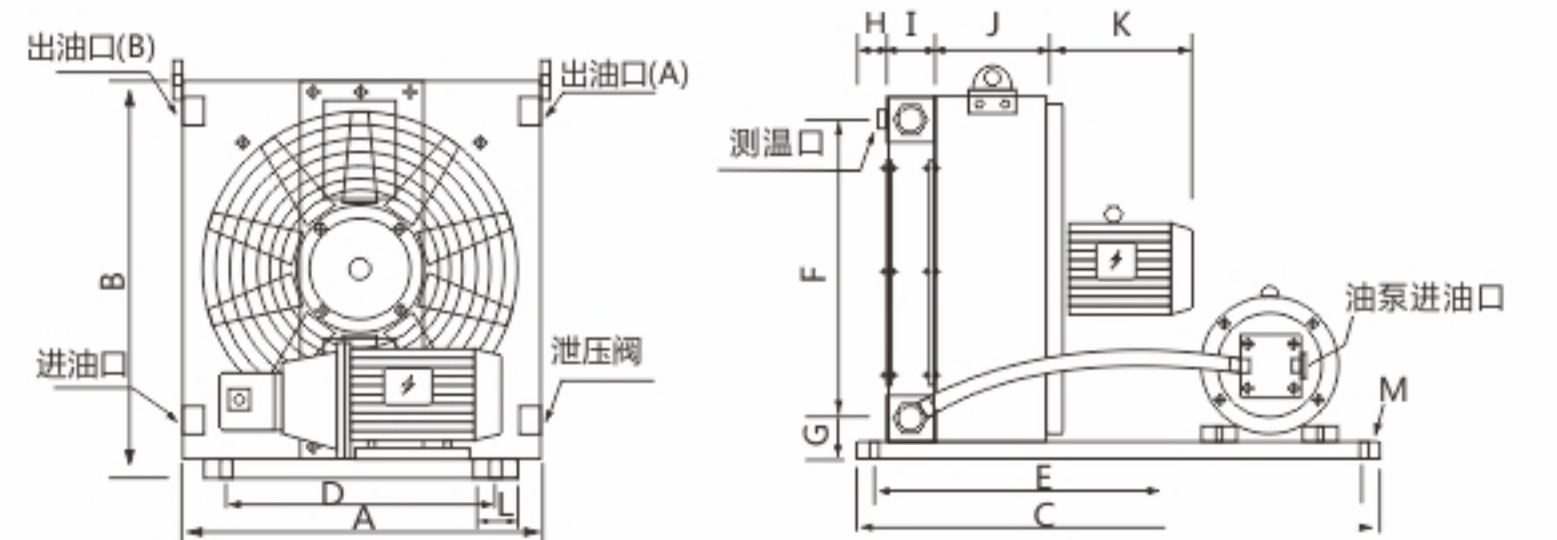
It applies in large hydraulic machine tool, hydraulic system, lubrication system, thin oil pump station, oil equipment, mining machinery, pile machinery, pressure lubricating and cooling of reducer and other independent circulation cooling of large hydraulic lubrication equipment.

应用特点 Features

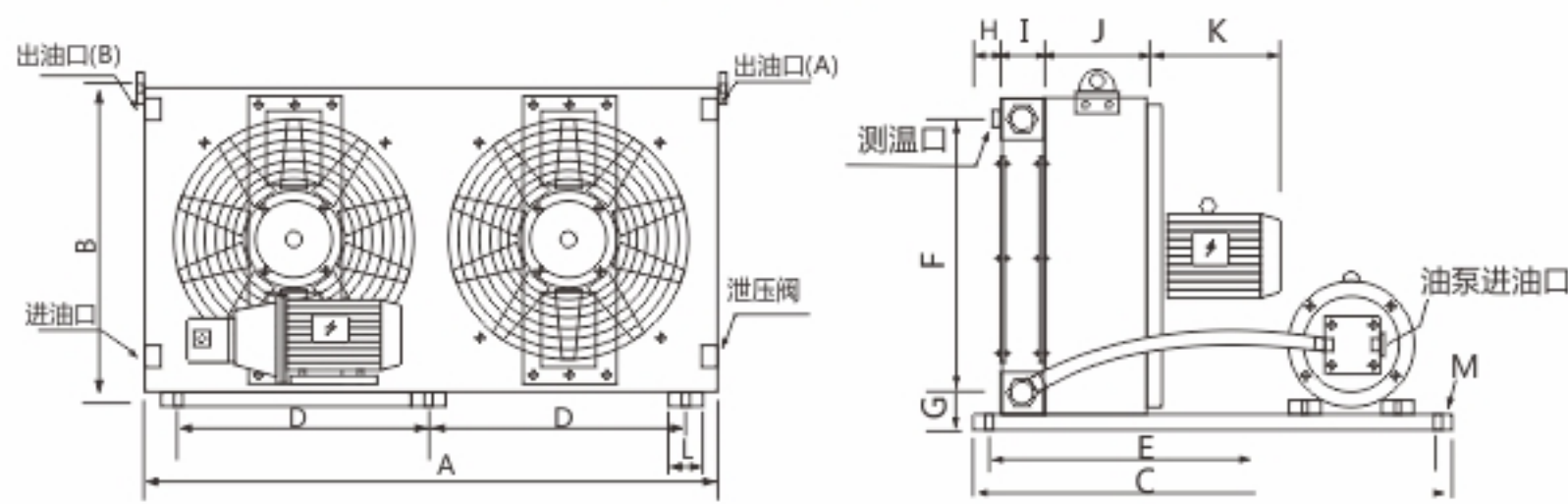
本系列产品设计采用循环电机泵组和冷却风扇分别控制，并可形成安全独立的循环冷却回路，避免了液压系统回油压力冲击，冷却原理是空气/油热交换冷却，在风扇的作用下使低温气流穿过散热器的外传热翅片，从而将热量强制性冷却。散热器油液通道内部也设计有传热翅片，极大地增加了其散热效率。

The design of this series of products uses aluminum alloy high speed gear hydraulic motor with driving enhanced carbon fiber fan blade and high performance hydraulic motor. Without power supply, it can keep running for a long time under a bad working environment, just need to connect with the pressure piping of the main engine. What's more, it can meet the cooling requirements of various kinds of engineering hydraulic system.

产品尺寸图 Dimensions



DXD-1~DXD-4



DXD-1~DXD-4

DXDL/A系列独立循环型风冷却器 DXDL/A Series Independent Loop Type Aired Oil Cooler

型号参数表 Model Data Sheet

参数	型号	DXDL/A-3	DXDL/A-4	DXDL/A-5	DXDL/A-6	DXDL/A-7	DXDL/A-8	DXDL/A-9	DXDL/A-10	DXDL/A-11	DXDL/A-12	DXDL/A-13	DXDL/A-14	DXDL/A-15
冷却能力(KW)		12	18	25	35	50	65	80	100	120	140	170	220	260
油泵排量(ml/r)		20	30	40	40	50	50	63	75	100	120	160	200	250
油泵电机功率(KW)		0.75	1.1	1.5	1.5	2.2	2.2	3	3	4	4	5.5	5.5	7.5
风扇电机功率(KW)		0.55	0.75	1.1	1.5	1.5	2.2	3	3	4	2.2x2	3x2	3x2	4x2
使用电压(V)		380	380	380	380	380	380	380	380	380	380	380	380	380
最高压力(bar)		25	25	25	25	25	25	25	25	25	25	25	25	25
油泵进出口螺纹		PT3/4"	PT1"	PT1"	PT1"	PT1-3/4"	PT1-1/4"	PT1-1/4"	PT1-1/2"	PT1-1/2"	PT2"	PT2"	PT2"	PT2"
散热器油口螺纹		G1"	G1-1/4"	G1-1/4"	G1-1/4"	G1-1/4"	G1-1/2"	G1-1/2"	G1-1/2"	G1-1/2"	G2"	G2"	G2"	G2"
测温口螺纹		G3/8"	G3/8"	G3/8"	G3/8"	G3/8"	G3/8"	G3/8"	G3/8"	G3/8"	G3/8"	G3/8"	G3/8"	G3/8"
A		385	490	545	590	590	710	795	930	1050	1400	1600	1800	2000
B		460	525	560	585	585	725	880	1020	1170	725	880	1020	1170
C		700	700	800	800	800	900	900	900	900	900	900	900	900
D		290	390	450	490	490	560	645	700	700	560	645	700	800
E		650	650	750	750	750	850	850	850	850	850	850	850	850
F		384	434	475	495	495	634	780	920	1070	575	720	900	1050
G		45	50	50	50	50	50	55	70	70	90	90	90	90
H		55	65	65	65	70	70	70	70	70	70	70	70	70
I		50	70	70	70	90	90	90	110	110	110	110	110	110
J		120	120	120	150	150	150	180	180	180	180	180	180	180
K		260	260	275	300	300	330	330	330	360	330	330	330	360
L		35	40	40	40	40	40	45	50	50	50	50	50	50
M		12x18	12x18	12x18	12x18	12x18	12x18	12x18	18x25	18x25	18x25	18x25	18x25	18x25

风冷DX系列
Air-Cooled DX Series



- 冷却能力：在 $\Delta T=40$ 时的冷却功率。
不同的电压有不同的消耗功率，本表仅以AC380V为例。
(其他定制电压有AC220V/415V/440V/660V)
- 电机防护等级：IP44(其他定制产品还有IP55,IP56,IP65)。
- 电机绝缘等级：F级，符合国际CE标准。
- 冷却介质：液压油、润滑油、齿轮油和其他符合DIN51524标准的矿物油等，允许液体最大粘320mm²/s。
上述表格无法满足选型需求时，请致电本公司技术部。
- Cooling capacity: cooling power at $\Delta T=40$.
Different voltages have different power consumption. This table only takes AC380V as an example.
(Other customized voltage is AC220V/415V/440V/660V).
- Motor protection level: IP44(other products and IP55,IP56,IP65).
- Motor insulation level: F level, in line with international CE standards.
- Cooling medium: hydraulic oil, lubrication oil, gear oil and other mineral oils that meet the DIN51524 standard,The MAK. viscosity of the liquid is 320mm²/s.
If the above table is not enough for your need, please directly contact us Tech Dept.

型号标注说明 How to Order

DXDL/A 8 A3 5 N C X 0 0 0

防护装置 Protective Device
C=防尘网 S=防石网 Z=整体防护 0=无防护装置

滤网器 Filter
1=过滤精度10 μ m 4=过滤精度40 μ m
2=过滤精度25 μ m 0=无过滤器

温度控制器 Temp.Controller
4=40 $^{\circ}$ C 温度开关 6=数显式温度传感器
5=50 $^{\circ}$ C 温度开关 0=无温度传感器

风向 Wind Direction
X=吸风型 ◀标准品 C=吹风型

油口方向接管方式 Oil Joint Direction
C=侧进侧出 ◀标准品 S=上进上出

压力保护 Pressure Protection
N=内置压力保护阀 ◀标准品 W=外置压力保护阀

频率 Frequency
5=50HZ ◀标准品 6=60HZ ◀订制品

使用电压 Voltage
A3=AC380V ◀标准品 A2=AC220V
A5=AC440V A4=AC415V A6=AC660V

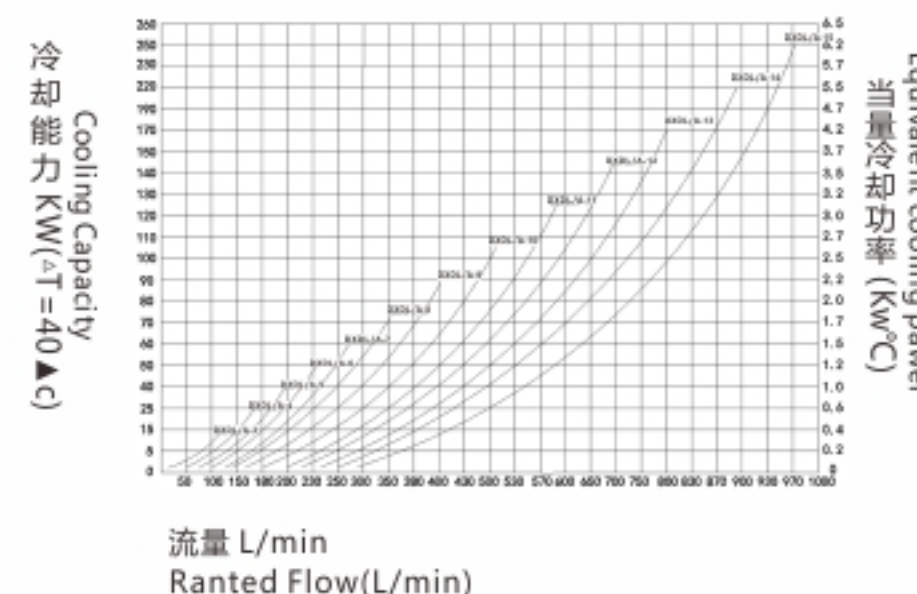
散热片规格 Plate Pieces
1/2/3/4/5/6/7/8/9/10/11/12/13/14/15

冷却器类型 Cooler Type
DXDL/A 系列独立循环型风冷却器

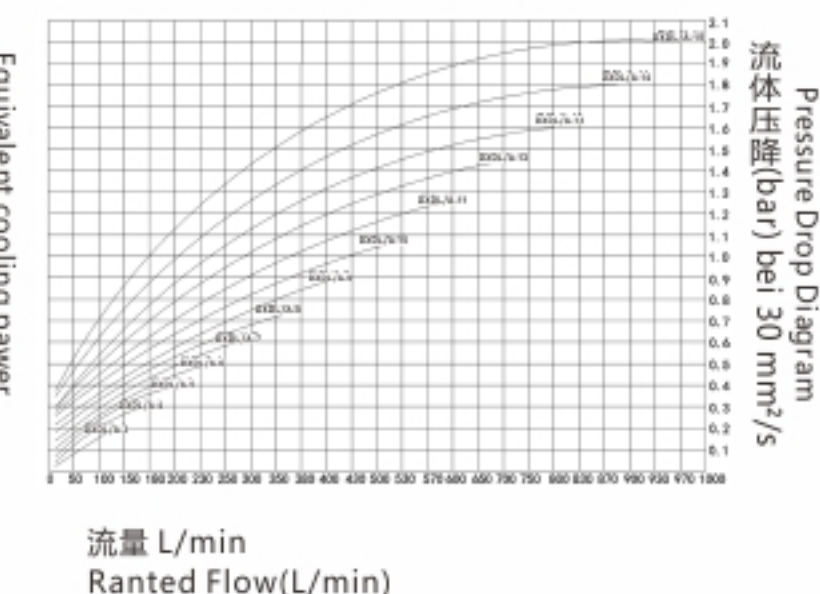
风冷DX系列
Air-Cooled DX Series

性能图 Performance

※ 冷却性能曲线图 Dissipation Performance Diagram



※ 压降曲线图 Pressure Drop Diagram



DXDL/B系列独立循环型风冷却器 DXDL/B Series Independent Loop Type Aired Oil Cooler

产品应用与特点 Application & Features



应用领域 Application

适用于大型液压机床、液压系统、润滑系统、稀油泵站、石油设备、矿山机械、桩工机械、减速机压力润滑冷却等大型液压设备润滑设备独立循环散热冷却。

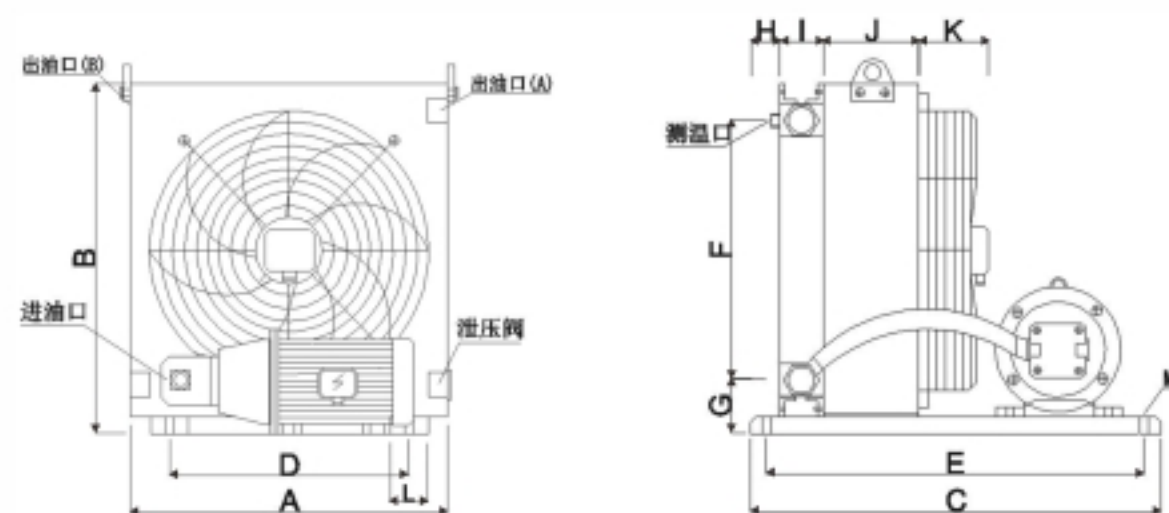
It applies in large hydraulic machine tool, hydraulic system, lubrication system, thin oil pump station, oil equipment, mining machinery, pile machinery, pressure lubricating and cooling of reducer and other independent circulation cooling of large hydraulic lubrication equipment.

应用特点 Features

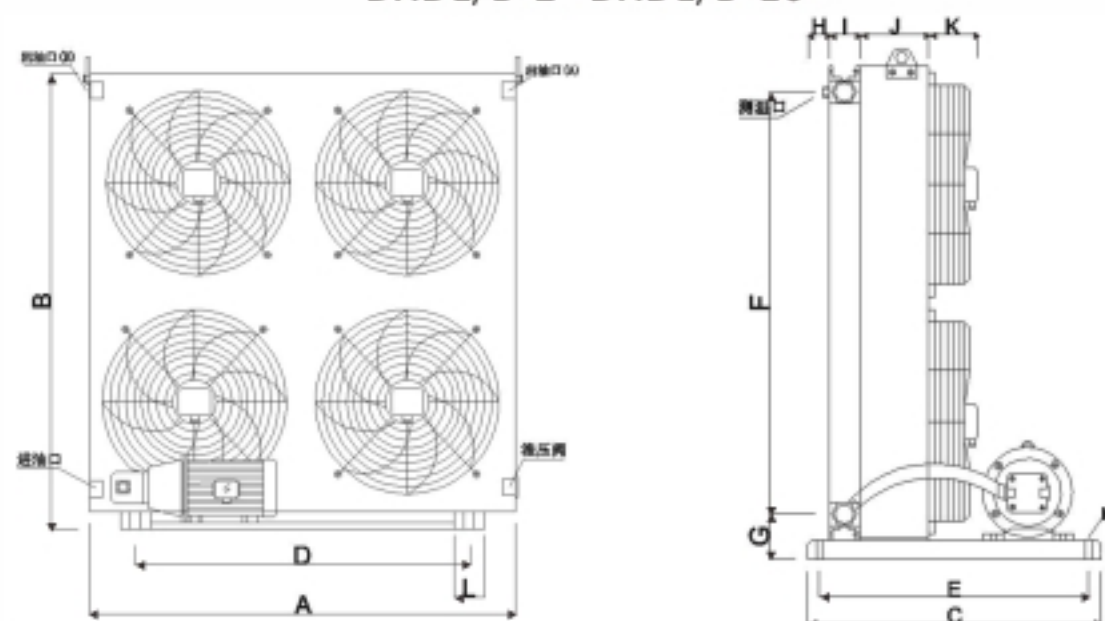
本系列产品设计采用循环电机泵组和冷却风扇分别控制，并可形成安全独立的循环冷却回路，免了液压系统回油压力冲击，冷却原理是空气/油热交换冷却，在风扇的作用下使低温气流穿过散热器的外传热翅片，从而将热量强制性冷却，散热器油液通道内部也设计有传热翅片，极大地增加了其散热效率。

The design of this series of products uses aluminum alloy high speed gear hydraulic motor with driving enhanced carbon fiber fan blade and high performance hydraulic motor. Without power supply, it can keep running for a long time under a bad working environment, just need to connect with the pressure piping of the main engine, What's more, it can meet the cooling requirements of various kinds of engineering hydraulic system.

产品尺寸图 Dimensions



DXDL/B-2~DXDL/B-10



DXDL/B-10~DXDL/B-11

型号参数表 Model Data Sheet

参数	型号	DXDL/B-1	DXDL/B-2	DXDL/B-3	DXDL/B-4	DXDL/B-5	DXDL/B-6	DXDL/B-7	DXDL/B-8	DXDL/B-9	DXDL/B-10	DXDL/B-11
冷却能力(KW)		5	10	15	20	25	30	40	50	60	70	80
油泵排量(ml/r)		10	15	20	30	40	40	50	50	63	63	75
油泵电机功率(KW)		0.375	0.55	0.75	1.1	1.5	1.5	2.2	2.2	3	3	4
风扇电机功率(KW)		33/38	50/55	129/129	180/180	180/180	250/250	250/250	480/500	520/550	180<4	250x4
使用电压(V)		220/380	220/380	220/380	220/380	220/380	220/380	220/380	220/380	220/380	220/380	220/380
最高压力(bar)		25	25	25	25	25	25	25	25	25	25	25
油泵进出口螺纹		PT3/4"	PT3/4"	PT3/4"	PT1"	PT1"	PT1"	PT1-1/4"	PT1-1/4"	PT1-1/4"	PT1-1/2"	PT1-1/2"
散热器油口螺纹		G3/4"	G3/4"	G1"	G1-1/4"	G1-1/4"	G1-1/4"	G1-1/4"	G1-1/2"	G1-1/2"	G1-1/2"	G1-1/2"
测温口螺纹		G3/8"	G3/8"	G3/8"	G3/8"	G3/8"	G3/8"	G3/8"	G3/8"	G3/8"	G3/8"	G3/8"
A		250	330	385	490	545	590	590	710	795	930	1050
B		265	350	460	525	560	585	585	725	880	1020	1170
C		450	450	530	590	590	650	650	650	650	650	650
D		150	230	290	390	450	490	490	560	645	700	700
E		410	410	490	550	550	600	600	600	600	600	600
F		210	296	384	434	475	495	495	634	780	920	1070
G		40	40	45	50	50	50	50	50	55	70	70
H		40	0	40	40	40	40	40	50	50	50	50
I		50	50	50	70	70	70	90	90	90	90	110
J		80	80	100	100	120	120	120	150	150	150	150
K		-	70	90	100	100	100	110	120	100	100	100
L		35	35	40	40	40	40	40	45	50	50	50
M		12x18	12x18	12x18	12x18	12x18	12x18	12x18	12x18	18x25	18x25	18x25

i

- 冷却能力：在 $\Delta T=40$ 时的冷却功率。
不同的电压有不同的消耗功率，本表仅以AC380V为例。
(其他定制电压有AC220V/415V/440V/660V)
- 电机防护等级：IP44，油泵电机防护等级：IP54。
- 电机绝缘等级：B级/F级，符合国际CE标准。
- 冷却介质：液压油、润滑油、齿轮油和其他符合DIN51524标准的矿物油等，允许液体最大粘320mm²/s。
上述表格无法满足选型需求时，请致电本公司技术部。

- Cooling capacity: cooling power at $\Delta T=40$.
Different voltages have different power consumption. This table only takes AC380V as an example.
(Other customized voltage is AC220V/415V/440V/660V).
- Motor protection level: IP44, oil pump motor protection level: IP54.
- Motor insulation level: B/F level, in line with international CE standards.
- Cooling medium: hydraulic oil, lubrication oil, gear oil and other mineral oils that meet the DIN51524 standard, The MAX. viscosity of the liquid is 320mm²/s.
If the above table is not enough for your need, please directly contact us Tech Dept.

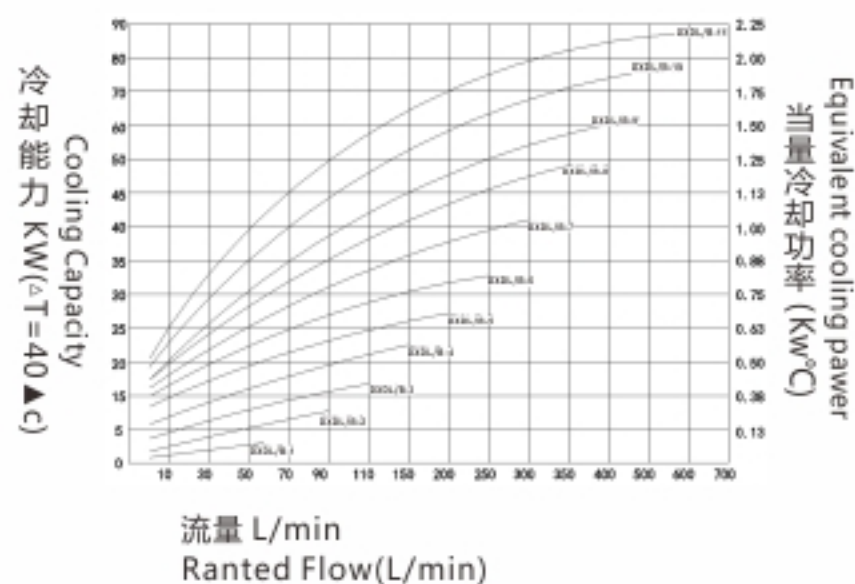
型号标注说明 How to Order

DXDL/B 8 A3 5 N C X 0 0 0

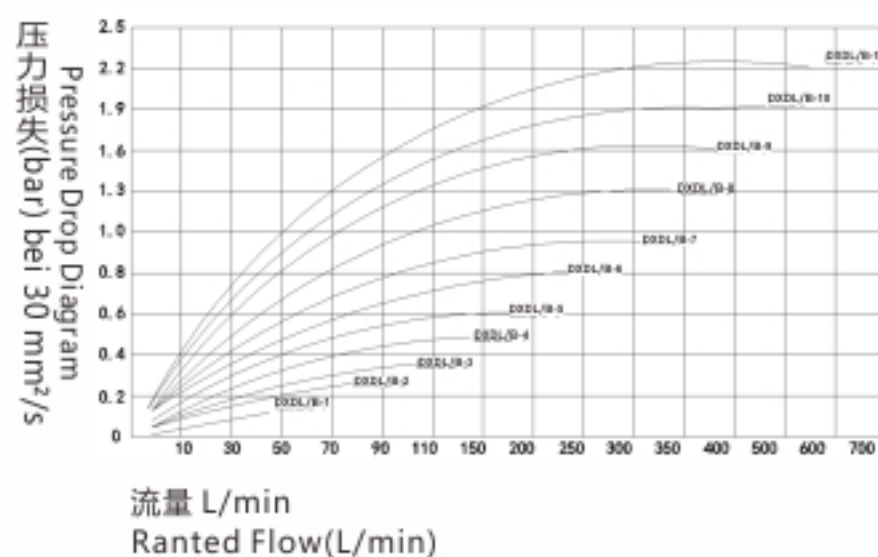
- 防护装置 Protective Device**
C=防尘网 S=防石网 Z=整体防护 0=无防护装置
- 滤网器 Filter**
1=过滤精度10μm 4=过滤精度40μm
2=过滤精度25μm 0=无过滤器
- 温度控制器 Temp.Controller**
4=40°C 温度开关 6=数显式温度传感器
5=50°C 温度开关 0=无温度传感器
- 风向 Wind Direction**
X=吸风型 ◀标准品 C=吹风型
- 油口方向接管方式 Oil Joint Direction**
C=侧进侧出 ◀标准品 S=上进上出
- 压力保护 Pressure Protection**
N=内置压力保护阀 ◀标准品 W=外置压力保护阀
- 频率 Frequency**
5=50HZ ◀标准品 6=60HZ ◀订制品
- 使用电压 Votage**
A3=AC380V ◀标准品 A2=AC220V
- 散热片规格 Plate Pieces**
3/4/5/6/7/8/9/10/11
- 冷却器类型 Cooler Type**
DXDL/B 系列独立循环型风冷却器

性能图 Performance

※冷却性能曲线图 Dissipation Performance Diagram



※压降曲线图 Pressure Drop Diagram



DXZX系列独立循环型风冷却器

DXZX Series Self-priming Circulation Type Aired Oil Cooler

产品应用与特点 Application & Features

应用领域 Application

适用于大型液压机床、液压系统、润滑系统、稀油泵站、液压泵站、矿山机械、工程机械、减速机压力润滑冷却等大型液压设备润滑设备独立散热冷却。

It applies in large hydraulic machine tool, hydraulic system, lubrication system, thin oil pump station, oil equipment, mining machinery, pile machinery, pressure lubricating and cooling of reducer and other independent circulation cooling of large hydraulic lubrication equipment.

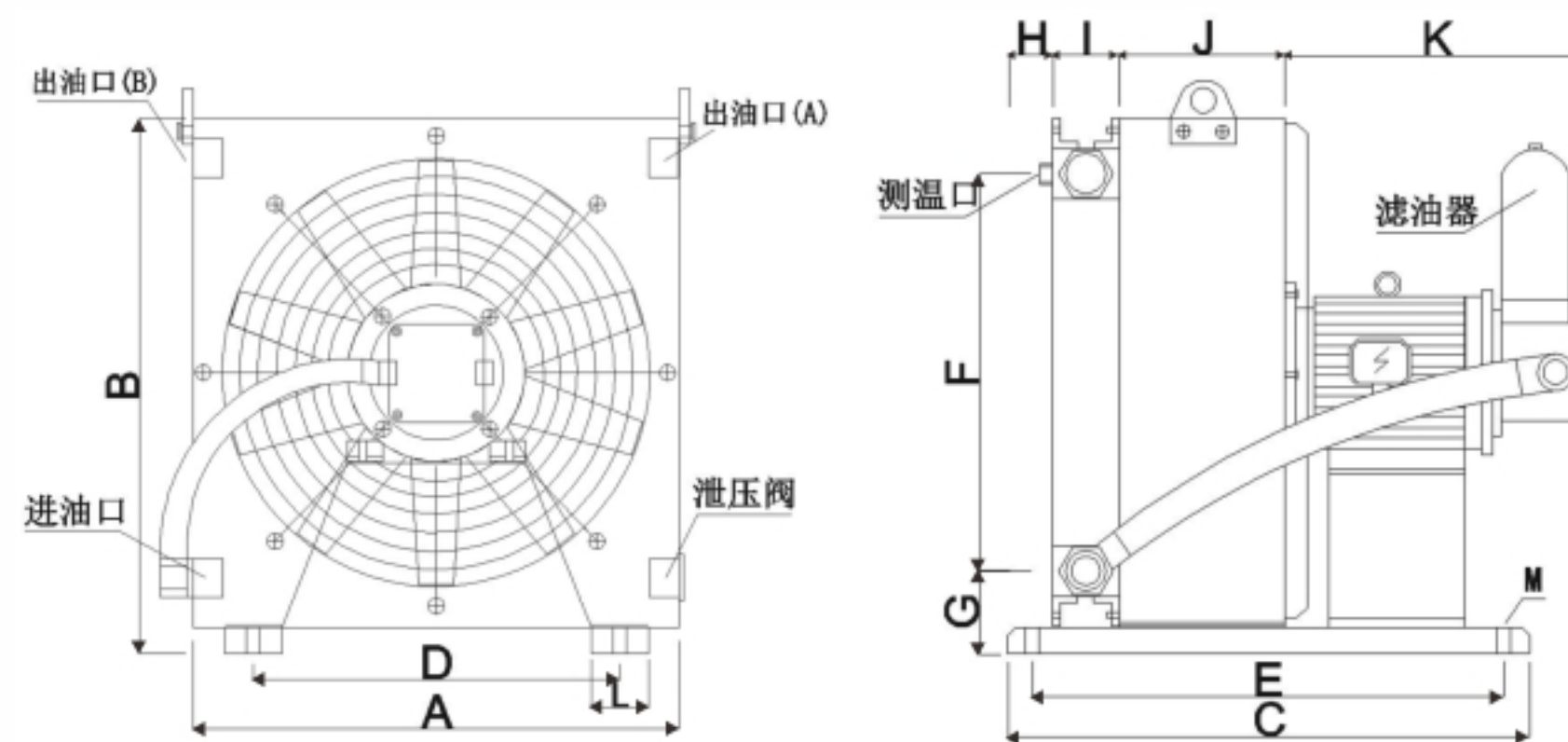
应用特点 Features

采用循环泵和冷却风扇共用一个电机驱动，一端驱动油泵，另一端连接风叶，结构紧凑，设计合理。特别适用于安装空间有限的场合，因为它可形成安全独立的循环冷却回路，避免了液压系统回油脉冲高压对散热器造成损坏。还可以选配变频电机和温度控制器，实现冷却油温自动化控制，并且可以与主机相连实现智能化温控管理，使其散热器效率能够达到最大化。

The principle of product design is exchanging air and oil heat to cool, that means, the low temperature airflow is passed through the heat transfer fins of the radiator to compulsively cool the heat under the fan operation. It is especially suitable for the situation of limited installation space, because it well forms a safe and independent circulating cooling circuitry which avoids the damage to the radiator by the oil recovery pulse high pressure in the hydraulic system. It can also choosethe variable frequency motor and the temperature controller to achieve the automatic control of the cooling oil temperature, and can be connected with the main engine to realize the intelligent temperature control management so that it can up to Max, radiator efficiency.



产品尺寸图 Dimensions



风冷DX系列
Air-Cooled DX Series



风冷DX系列
Air-Cooled DX Series

DXZX系列自吸循环型风冷却器

DXZX Series Self-priming Circulation Type Aired Oil Cooler

型号参数表 Model Data Sheet

参数	型号	DXZX-3	DXZX-4	DXZX-5	DXZX-6	DXZX-7	DXZX-8	DXZX-9	DXZX-10	DXZX-11
冷却能力(KW)		12	18	25	35	50	65	80	100	120
油泵排量(ml/r)		20	30	40	40	50	50	63	75	100
电机功率(KW)		0.75	15	1.5	1.5	2.2	3	4	4	5.5
使用电压(V)		380	380	380	380	380	380	380	380	380
最高压力(bar)		25	25	25	25	25	25	25	25	25
油泵进出口螺纹		PT3/4"	PT1"	PT1"	PT1"	PT1-1/4"	PT1-1/4"	PT1-1/4"	PT1-1/2"	PT2"
散热器油口螺纹		G1"	G1-1/4"	G1-1/4"	G1-1/4"	G1-1/4"	G1-1/2"	G1-1/2"	G1-1/2"	G1-1/2"
测温口螺纹		G3/8"	G3/8"	G3/8"	G3/8"	G3/8"	G3/8"	G3/8"	G3/8"	G3/8"
A		385	490	545	590	590	710	795	930	1050
B		460	525	585	585	585	725	880	1020	1170
C		500	500	500	600	600	600	650	650	650
D		290	390	450	490	490	560	645	700	700
E		450	450	450	550	550	550	600	600	600
F		384	434	475	495	495	634	780	920	1070
G		45	50	50	50	50	50	55	70	70
H		55	65	65	65	70	70	70	70	70
I		50	70	70	70	90	90	90	90	110
J		120	120	120	150	150	150	180	180	180
K		400	400	450	450	450	500	500	500	500
L		35	40	40	40	40	40	45	50	50
M		12x18	12x18	12x18	12x18	12x18	12x18	12x18	18x25	18x25

风冷DX系列
Air-Cooled DX Series

i

- 冷却能力：在 $\Delta T=40$ 时的冷却功率。
不同的电压有不同的消耗功率，本表仅以AC380V为例。
(其他定制电压有AC220V/415V/440V/660V)
- 电机防护等级：IP44(其他定制产品还有IP55,IP56,IP65)。
- 电机绝缘等级：F级，符合国际CE标准。
- 冷却介质：液压油、润滑油、齿轮油和其他符合DIN51524标准的矿物油等，允许液体最大粘2000mm²/s。
上述表格无法满足选型需求时，请致电本公司技术部。
- Cooling capacity: cooling power at $\Delta T=40$.
Different voltages have different power consumption. This table only takes AC380V as an example.
(Other customized voltage is AC220V/415V/440V/660V).
- Motor protection level: IP44(other products and IP55,IP56,IP65).
- Motor insulation level: F level, in line with international CE standards.
- Cooling medium: hydraulic oil, lubrication oil, gear oil and other mineral oils that meet the DIN51524 standard, The MAX. viscosity of the liquid is 2000mm²/s.
If the above table is not enough for your need, please directly contact us Tech Dept.

型号标注说明 How to Order

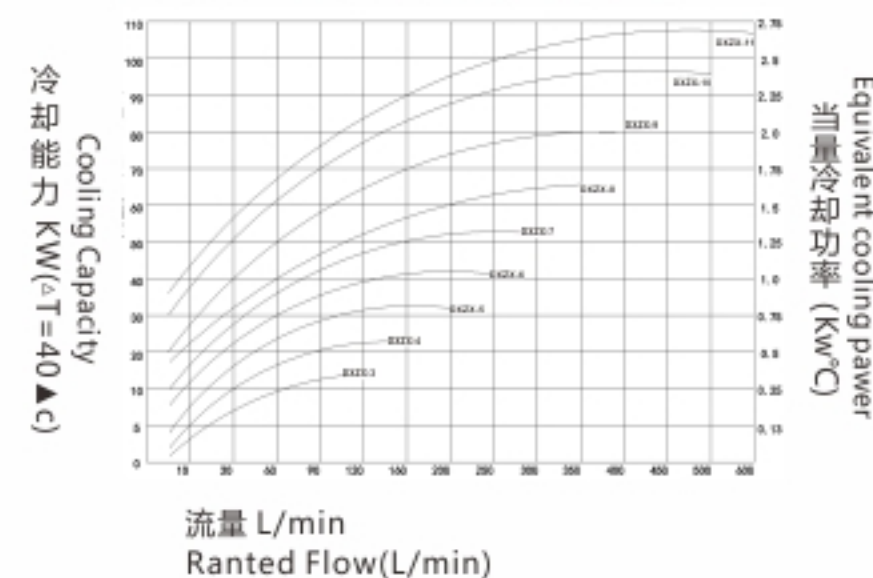
DXZX 8 A3 5 N C X 0 0 0

- 防护装置 Protective Device**
C=防尘网 S=防石网 Z=整体防护 0=无防护装置
- 滤网器 Filter**
1=过滤精度10 μ m 4=过滤精度40 μ m
2=过滤精度25 μ m 0=无过滤器
- 温度控制器 Temp.Controller**
4=40 $^{\circ}$ C 温度开关 6=数显式温度传感器
5=50 $^{\circ}$ C 温度开关 0=无温度传感器
- 风向 Wind Direction**
X=吸风型 ◀标准品 C=吹风型
- 油口方向接管方式 Oil Joint Direction**
C=侧进侧出 ◀标准品 S=上进上出
- 压力保护 Pressure Protection**
N=内置压力保护阀 ◀标准品 W=外置压力保护阀
- 频率 Frequency**
5=50HZ ◀标准品 6=60HZ ◀订制品
- 使用电压 Voltage**
A3=AC380V ◀标准品 A5=AC440V
A4=AC415V A6=AC660V
- 散热片规格 Plate Pieces**
3/4/5/6/7/8/9/10/11
- 冷却器类型 Cooler Type**
DXZX系列自吸循环型风冷却器

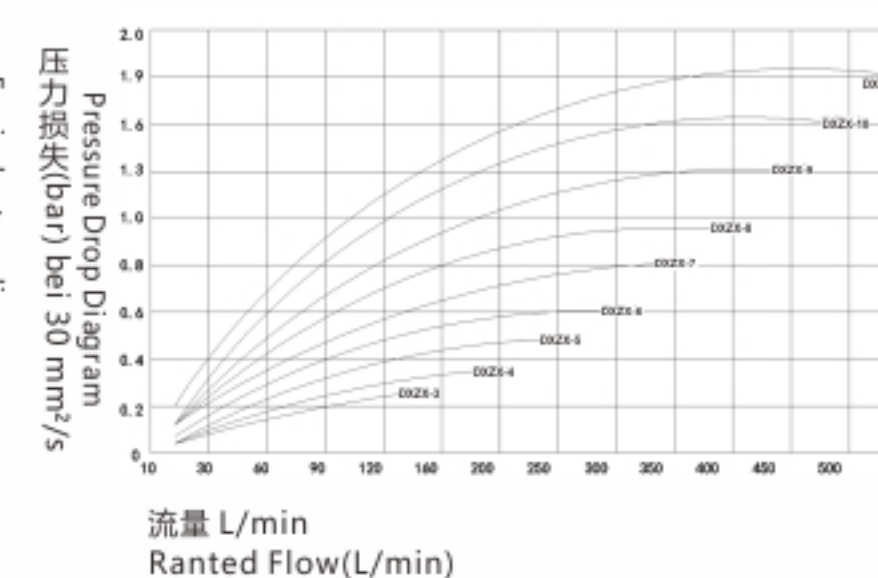
风冷DX系列
Air-Cooled DX Series

性能图 Performance

※ 冷却性能曲线图 Dissipation Performance Diagram



※ 压降曲线图 Pressure Drop Diagram



搅拌车系统油冷却器 Transport Mixer Series Oil Cooler

产品规格 Specification

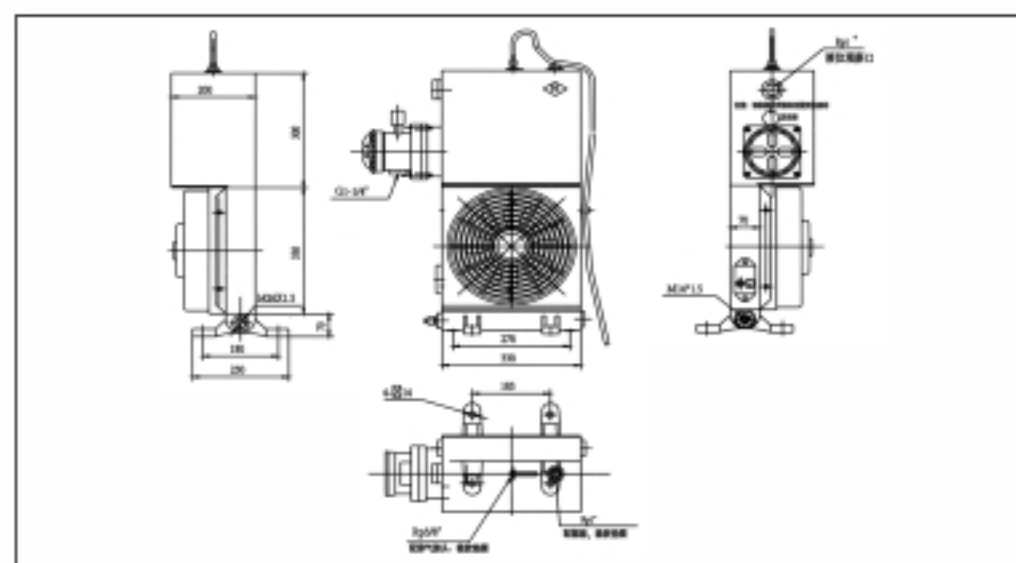


DX 021

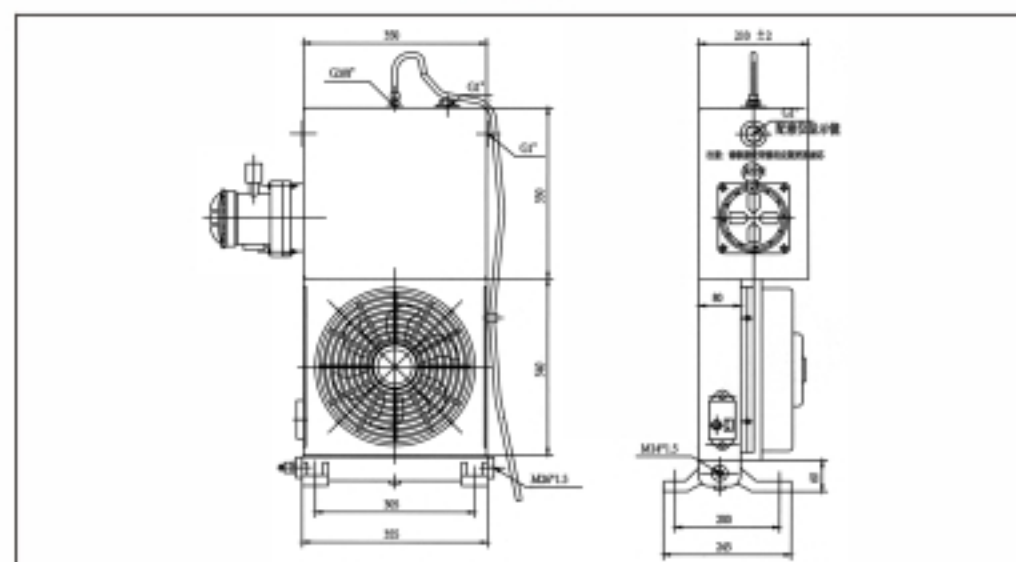
DX 026

型号 Model	邮箱容积 Fuel tank capacity	风叶直径(mm) Fan diameter(mm)	风叶电压(V) Fan Motor Voltage(V)
DX 021	18L	305	24/12
DX 026	25L	305	24/12

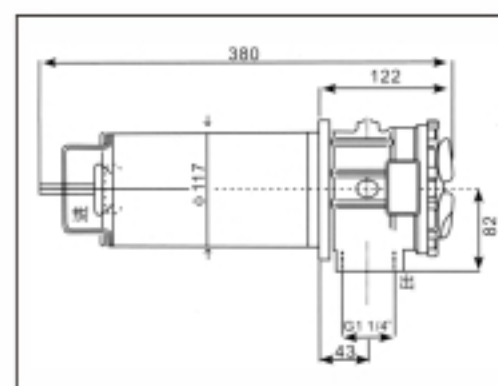
产品尺寸图 Dimensions



18L 搅拌车



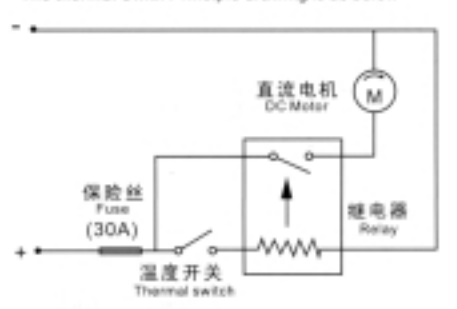
25L 搅拌车



温度开关 Thermal switch



温度开关原理如下图:
The thermal switch principle drawing is as below



产品应用与特点 Application & Features



应用领域 Application

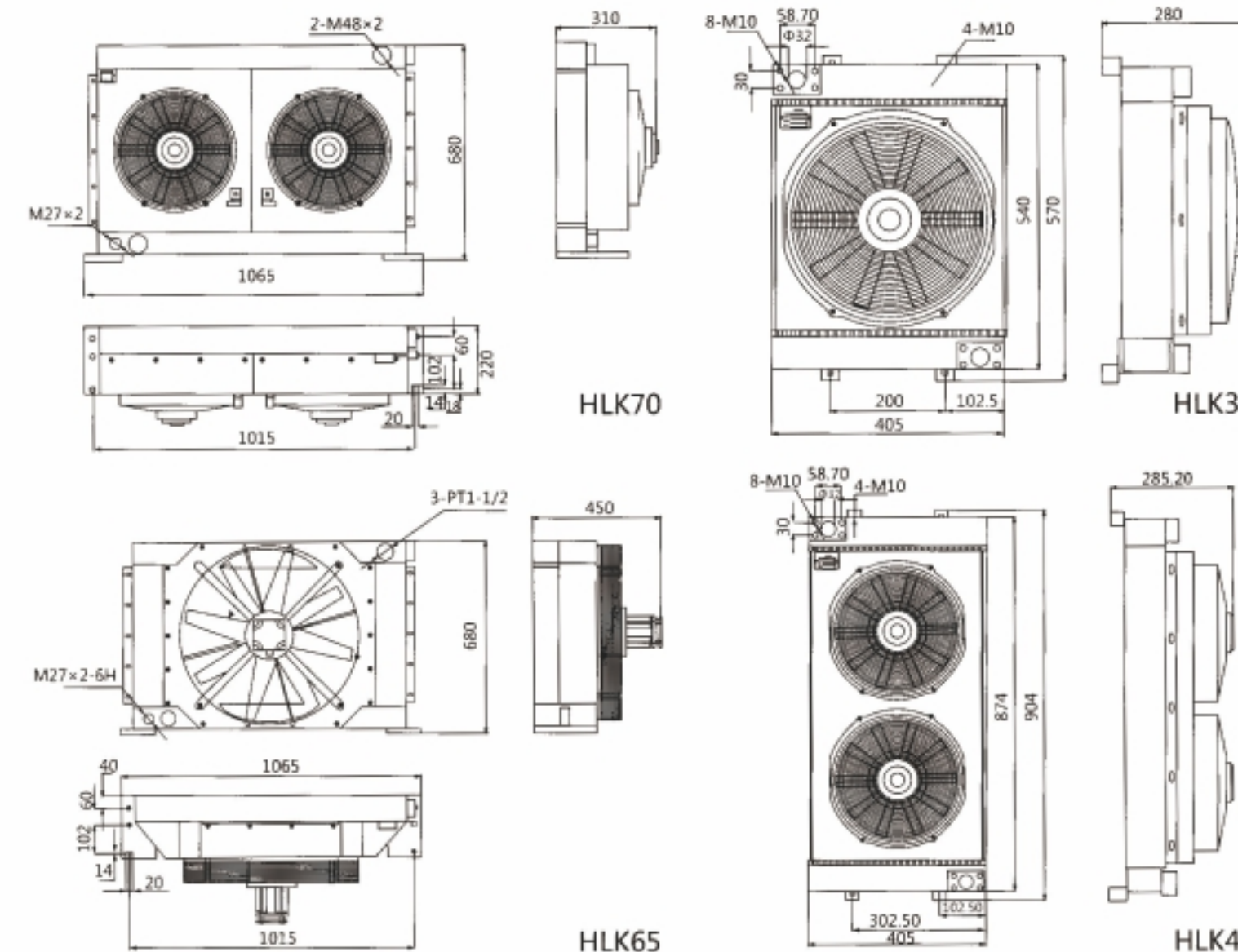
典型应用混凝土输送泵车、拖泵等。也可应用于港口、船舶机械、轨道设备及其他行走机械的液压油冷却。
It applies in concrete pump truck, towing pump, shipping machinery, track equipment and other hydraulic oil cooling walking machinery.

应用特点 Features

45bar的动态额定压力，能承受频繁压力冲击，采用高防护能力风扇电机和防盐雾、高强度材质的风叶，及防盐雾表面处理。适合长期在户外及恶劣环境中作业，加以紧凑高效的散热片，以获得最佳冷却效果。紧凑、整体式轴流风扇、占用空间小，有刷直流电机，可长时间连续运行，电机最高寿命可达16000小时以上。进、出口标准为G螺纹或SAE法兰，其他螺纹也可以定制，风扇电机控制电压DC12V，DC24V，DC380V，IP68和IP55级。

45bar dynamic rated pressure is able to bear frequent pressure impulse. With high protection fan motor and salt fog, high strength wind blade and salt spray surface treatment and compact efficient heat dissipating film, it is suitable to work in the outdoor and harsh environment for a long time and achieve the best cooling effect. The compact and integral axial fan occupies less space and there is a brush DC motor, which can run continuously for a long time. The maximum life of the motor can reach more than 16000 hours. The inlet and outlet standards are G thread or SAE flange, and other threads can also be customized. Fan motor can control voltage DC12V, DC24V, AC380V, IP68, IP55 level.

产品尺寸图 Dimensions

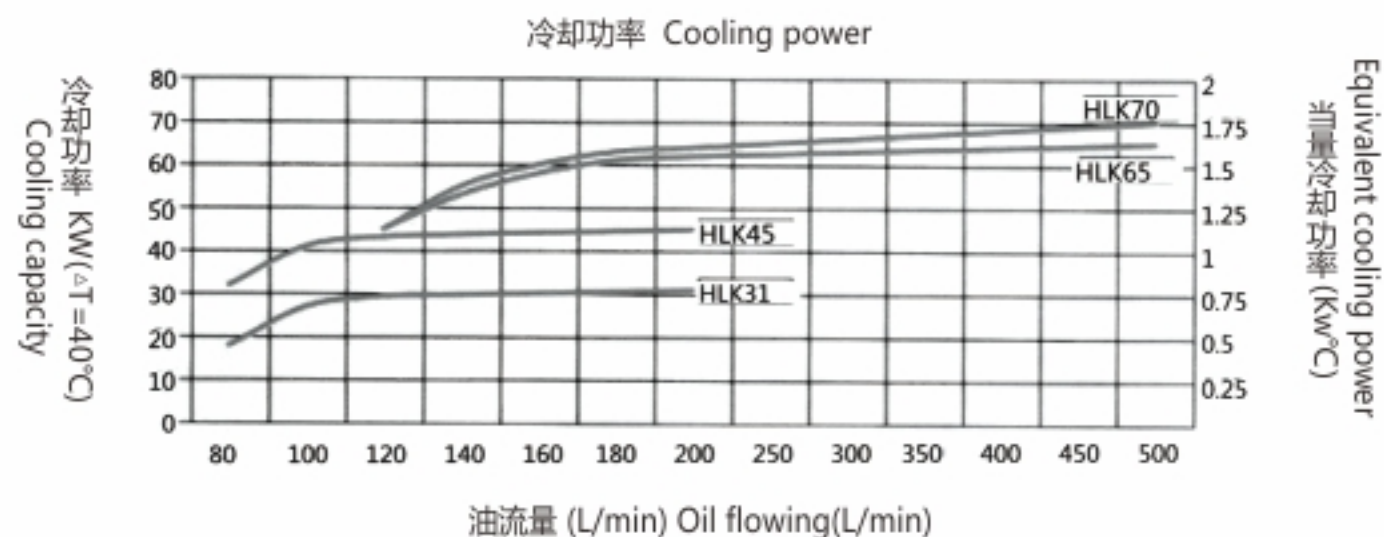


型号参数表 Model Data Sheet

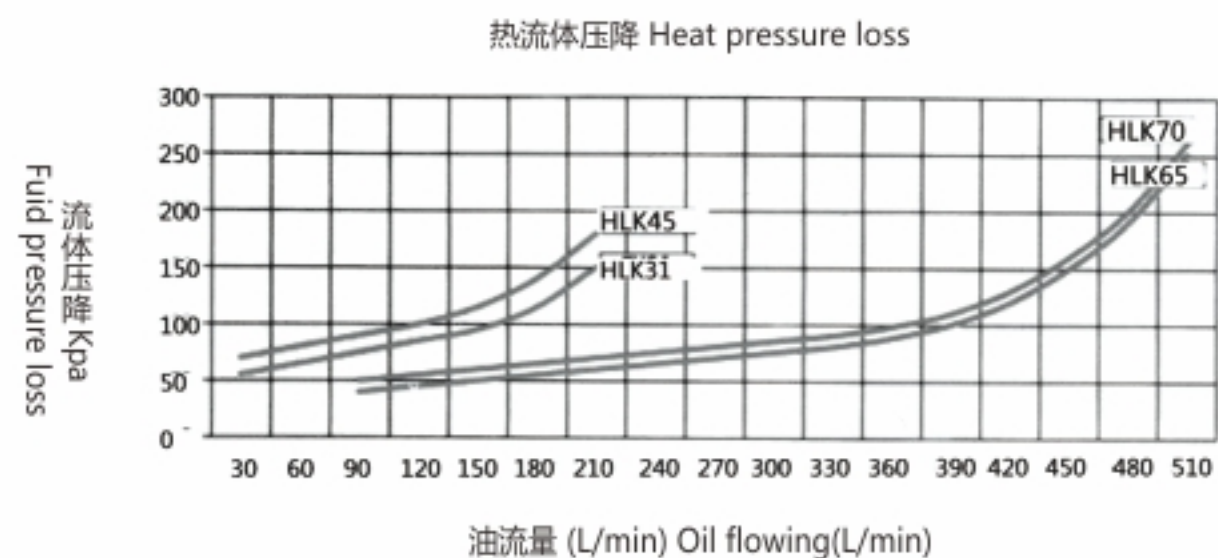
冷却器型号	最大流量 (L/min)	工作压力 (bar)	冷却能力 (KW)	风扇电机 (DC12V)	风扇电机 (DC24V)	风扇转速 (DC24V)	噪音(dB)	最高油温 (mm2/s)	最大粘度 (mm2/s)	重量(kg)
HLK31	200	45	31	250	250	2950	60	130	2000	24
HLK45	200	45	45	500	500	3000	60	130	2000	30
HLK65	500	45	65	550	550	2500	75	130	2000	55
HLK70	500	45	70	500	500	2950	63	130	2000	52

- i**
- 冷却能力：在 $\Delta T=40$ 时的冷却助率。
 - 不同电压时有不同的消耗功率，本表仅以DC12V，DC24V为例。
 - 风扇电机型式：标准为吸风式，IP65，IP68，F级绝缘，符合国际CE标准。
 - 介质：矿物油，符合DIN51524，其他介质请与东旭联系。
- Cooling capacity: cooling power at $\Delta T=40$.
 - Different voltages have different power consumption. This table only takes DC12V, DC24V as examples.
 - Fan motor type: suction type, IP65/ IP68, F level insulation, in line with international CE standards.
 - Cooling medium: mineral oils that meet the DIN51524 standard.
 - If you need other cooling medium, please directly contact us Tech Dept.

性能图 Performance



压力损失特性-混凝土输送泵车专用 Pressure Loss Diagram



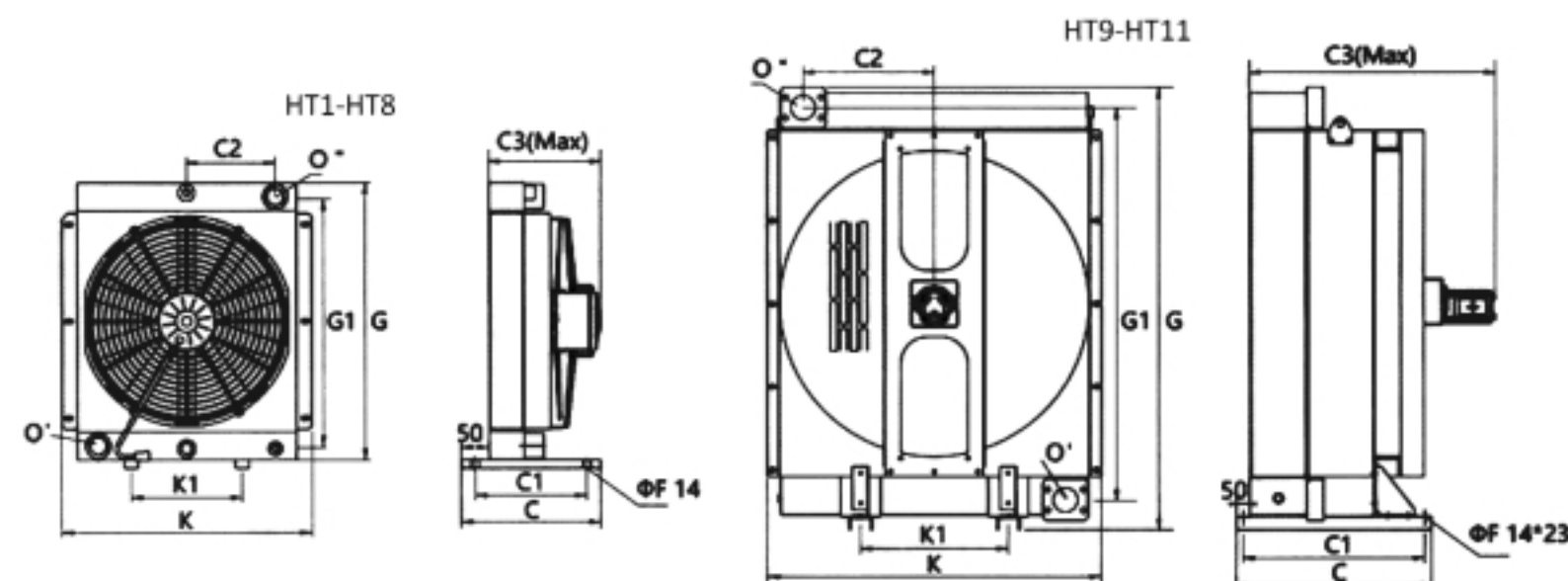
HT 高效风冷式油冷却器
HT High Effective Air-Cooled Oil Cooler

产品应用与特点 Application & Features



- 铝质高效冷却系统；
 - 性能卓越，可承受高工作压力-重载液压或润滑系统亦可使用；
 - 最高工作压力：HT1-HT8 26bar HT9-HT11 10bar
 - 应用场合广泛，如传输系统、发动机，液压及润滑系统等，也可用作独立的冷却器
 - 可配置12V，24V直流电机，220V/380V交流电机或液压马达驱动风扇
- High efficiency cooling system for aluminum;
 - Excellent performance and high working pressure, A heavy duty hydraulic or lubricating system can also be used.
 - The highest working pressure:HT1-HT8 26 bar HT9-HT11 10bar.
 - Widely used, such as transmission, Systems engines hydraulic and lubrication systems can also be used as independent coolers.
 - 12V,24V DC motor,220V/380V AC motor or hydraulic motor can be configured to drive the fan.

产品尺寸图 Dimensions



产品尺寸表 Product Size Chart

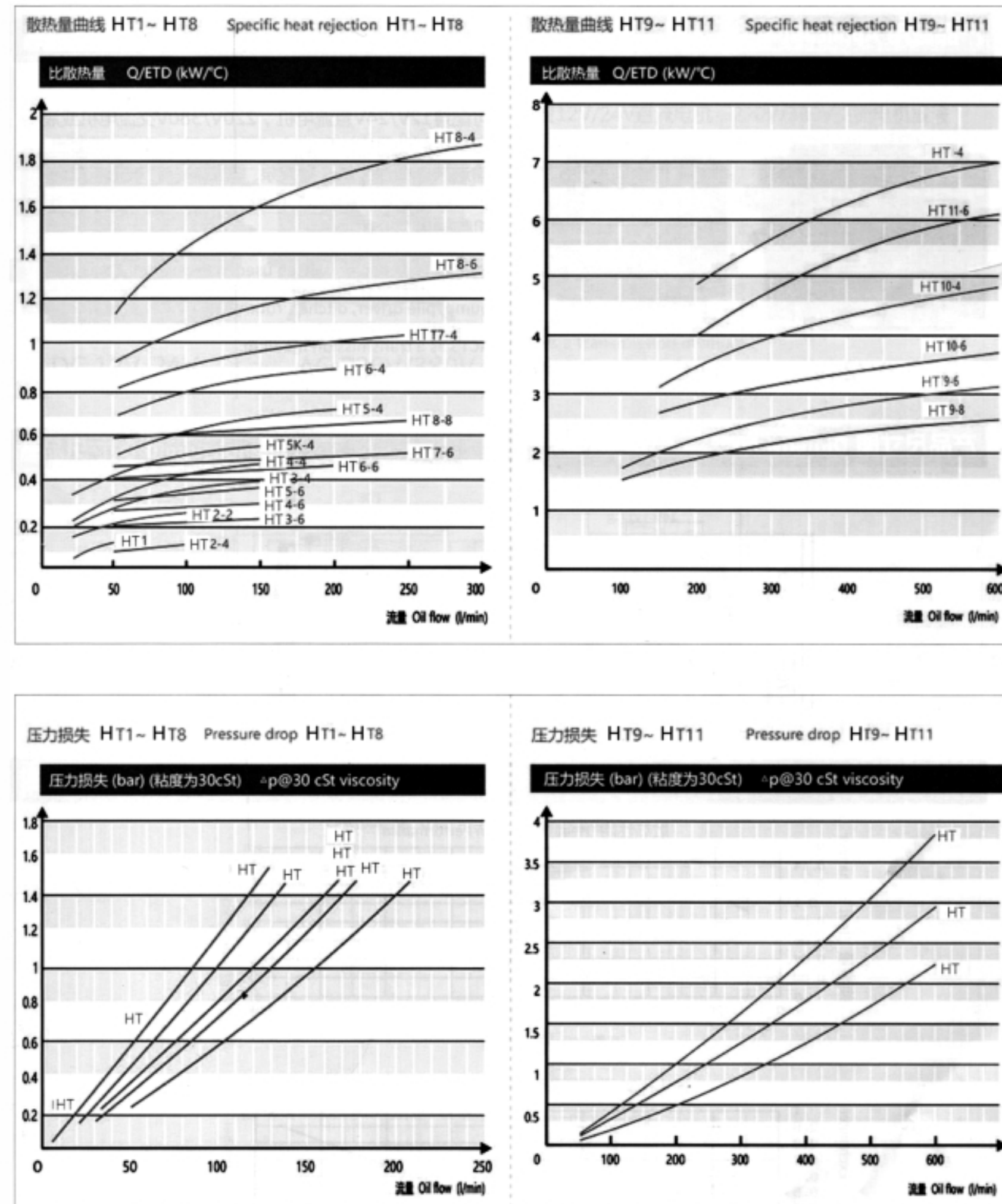
冷却器型号 Coder Type	散热热量(KW) Heat Dissipation	G ±10	K ±10	C ±2	C1 ±2	C2 ±2	C3 ±5	G1 ±5	K1 ±2	O/O"
HT 1	1-5	325	250	200	150	65	170	260	80	G3/4"
HT 2	3-10	415	360	250	200	115	330	350	150	G1"
HT 3	8-15	520	455	250	200	160	330	450	200	G1"
HT 4	10-20	520	455	300	250	160	330	460	200	G1¼"
HT 5(HT5K)	15-258	695	471	300	250	165	445(415)	610	200	G1¼"(G1)
HT 6	20-35	795	610	300	250	234	495	710	310	G1¼"
HT 7	35-40	950	610	300	250	234	525	860	310	G1¼"
HT 8	35-75	960	725	300	250	280	580	870	400	G1½"
HT 9	60-120	1340	1000	580	540	390	710	1180	440	FL65
HT 10	85-180	1340	1000	580	540	390	730	1180	440	FL80
HT 11	120-260	1482	1290	850	810	532	850	1330	525	FL80

型号参数表 Model Data Sheet

冷却器型号 Cooler Type	风扇直径 Fan Diameter (mm)	风扇转速 Fan Speed (rpm)	噪音 Noise Level (dB(A),1m)	电机电压 Motor Voltage(V)	消耗功率 Power Consumption(kw)	容量 Volume(l)	工作压力 Working Pressure(bar)	总重量 (不含液体) Total Weight Excluding Fluid(kg)
HT 1	190	3250	71	12	0.08	1.0	26	6.7
	190	3250	71	24	0.08	1.0	26	6.7
	200	2750	64	230/400 电机	0.08	1.0	26	7.1
HT 2	255	2600	74	12	0.1	1.9	26	15.6
	255	2600	72	24	0.1	1.9	26	15.6
	250	3000	75	液压马达 230/400	0.06	1.9	26	15.6
	250	1500	57	230/400 电机	0.25	1.9	26	15.6
HT 3	350	2950	76	12	0.2	2.9	26	23
	350	2950	78	24	0.2	2.9	26	23
	380	1500	75	液压马达 230/400	0.14	2.9	26	23
	380	1000	68	230/400 电机	0.25	2.9	26	23
HT 4	350	2950	77	12	0.2	5.2	26	28.8
	350	2950	78	24	0.2	5.2	26	28.8
	350	1500	77	液压马达 230/400	0.14	5.2	26	28.8
	350	1500	77	230/400 电机	0.37	5.2	26	28.8
HT 5	385	3100	79	12	0.2	6.3	26	38
	385	3100	79	24	0.2	6.3	26	38
	450	1500	77	液压马达 230/400	0.25	6.3	26	38
	450	1500	77	230/400 电机	0.25	6.3	26	38
HT5K	450	1500	77	12	0.25	6.3	26	38
	450	1500	77	24	0.25	6.3	26	38
	450	1500	77	液压马达 230/400	0.25	6.3	26	38
	450	1500	77	230/400 电机	0.25	6.3	26	38
HT 6	2x305	3100	81	12	2x0.2	9.4	26	49
	2x305	3100	81	24	2x0.2	9.4	26	49
	500	1500	79	液压马达 230/400	0.45	9.4	26	49
	500	1500	79	230/400 电机	0.75	9.4	26	49
HT 7	2x305	3100	81	12	2x0.2	9.4	26	54
	2x305	3100	81	24	2x0.2	9.4	26	54
	500	1500	79	液压马达 230/400	0.45	10.6	26	54
	500	1500	79	230/400 电机	0.75	10.6	26	54
HT 8	2x305	3100	81	12	2x0.2	9.4	26	54
	2x305	3100	81	24	2x0.2	9.4	26	54
	500	1500	79	液压马达 230/400	0.45	10.6	26	54
	500	1500	79	230/400 电机	0.75	10.6	26	54
HT 9	900	1000	88	液压马达 230/400	2.2	25	10	190
	900	1000	88	230/400 电机	1.2	25	10	190
	900	750	82			25	10	190
HT 10	900	1500	98	液压马达 230/400	5.5	31	10	200
	900	1500	98	230/400 电机	3.0	31	10	200
	900	1000	88			31	10	200
HT 11	1000	1500	100	液压马达 230/400	11.0	55	10	约290
	1000	1500	100	230/400 电机	7.5	55	10	约290
	1000	1000	90			55	10	约290

液压马达排量: HT2-HT5:8ccm HT6-HT8:16ccm HT9-HT10:25ccm
Displacement(cm³) hydraulic Motor: HT2-HT5:8ccm HT6-HT8:16ccm HT9-HT10:25ccm

性能图 Performance



HLK-16带风扇风罩液压油冷却器 HLK-16 Hydraulic Oil Cooler with Fan and Cooler

产品应用 Application



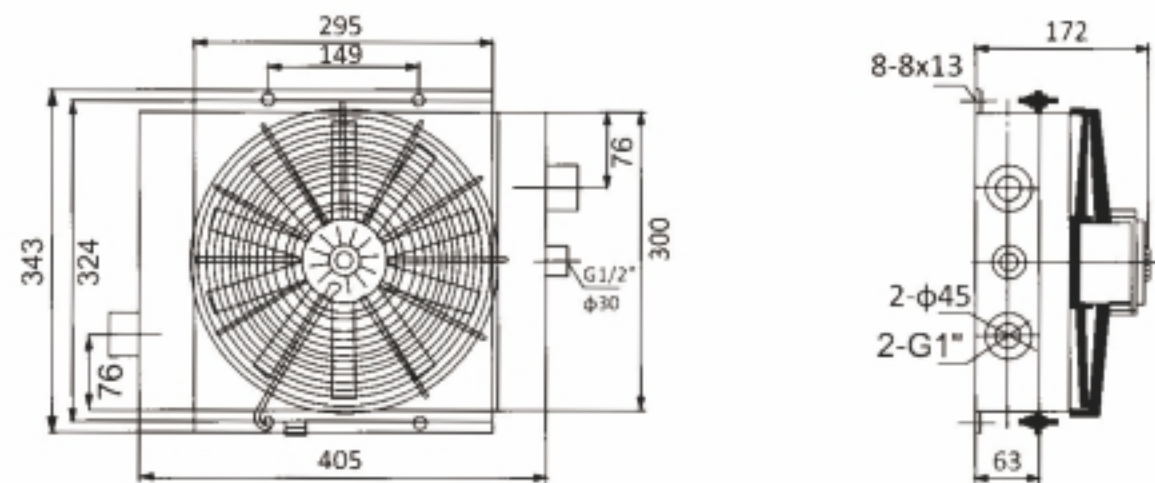
DC 12V/24V

AC 220V/380V

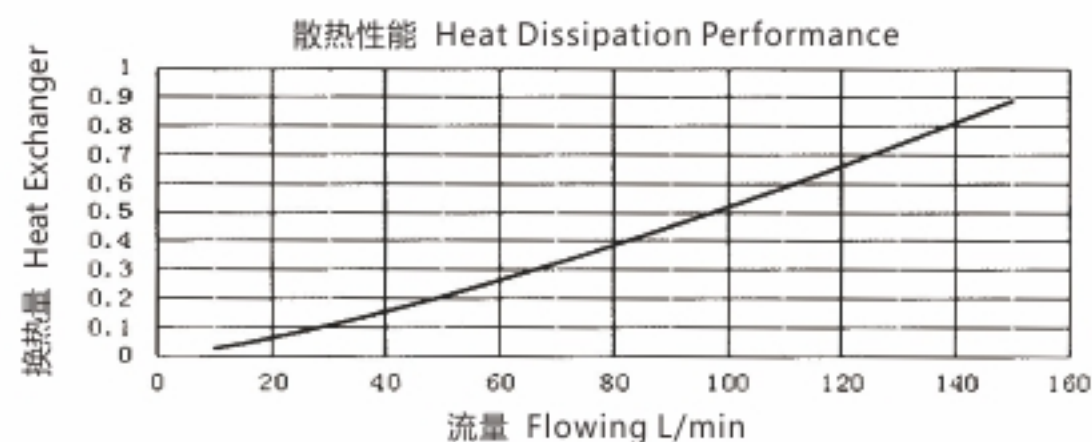
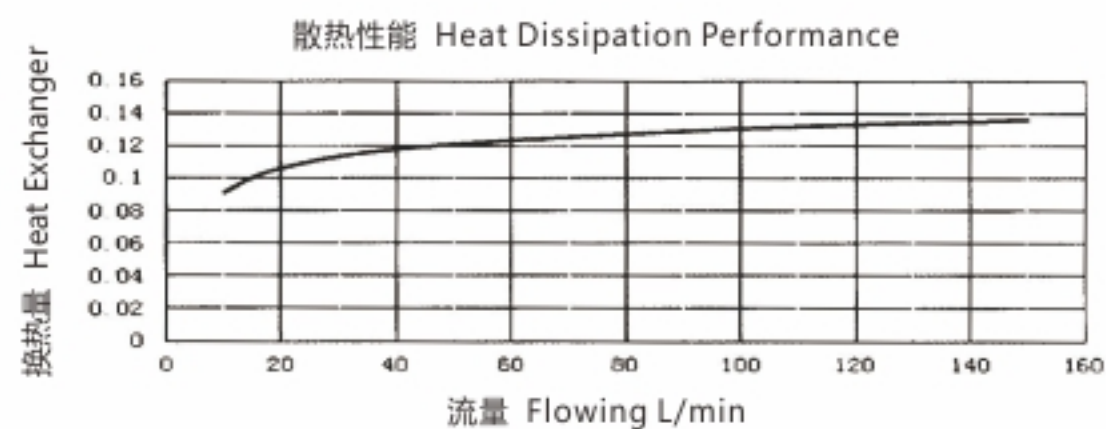
可配置12V/24V直流电机，220V/380V交流电机或液压马达驱动风扇液压油冷却器常用于挖掘机、混凝土输送泵、细沙装泵、臂架泵、车载泵、打桩机、挖沟机、旋挖钻机、摊铺机、非开挖设备、空压机、压路机作为传力介质。

Hydraulic oil cooler is often used in excavators, Concrete conveying pump, fine sand slurry pump, arm pump, Car pump, pile driver, ditcher, rotary drillrig, Paver, non-excavation equipment, air compressor, The road roller ACTS as a transmission medium.

产品尺寸图 Dimensions



性能图 Performance



HLK-20带风扇风罩液压油冷却器 HLK-20 Hydraulic Oil Cooler with Fan and Cooler

产品应用 Application



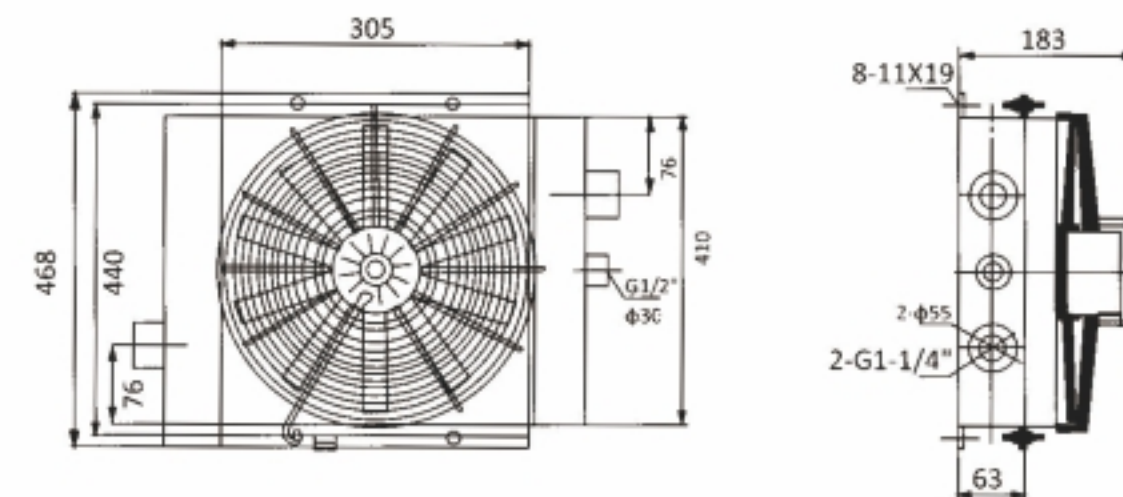
DC 12V/24V

AC 220V/380V

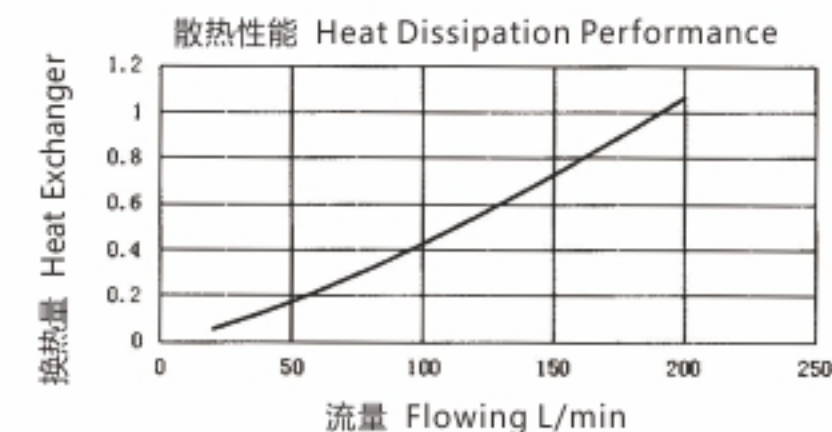
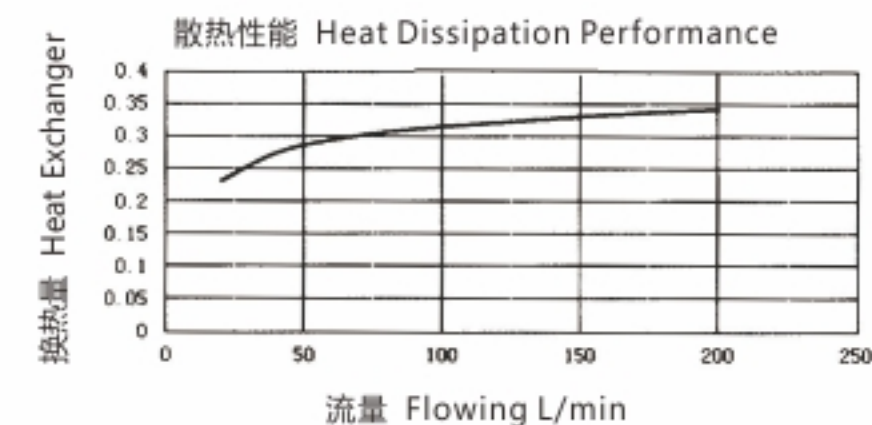
可配置12V/24V直流电机，220V/380V交流电机或液压马达驱动风扇液压油冷却器常用于挖掘机、混凝土输送泵、细沙装泵、臂架泵、车载泵、打桩机、挖沟机、旋挖钻机、摊铺机、非开挖设备、空压机、压路机作为传力介质。

Hydraulic oil cooler is often used in excavators, Concrete conveying pump, fine sand slurry pump, arm pump, Car pump, pile driver, ditcher, rotary drillrig, Paver, non-excavation equipment, air compressor, The road roller ACTS as a transmission medium.

产品尺寸图 Dimensions



性能图 Performance



HLK-30带风扇风罩液压油冷却器 HLK-30 Hydraulic Oil Cooler with Fan and Cooler

产品应用 Application



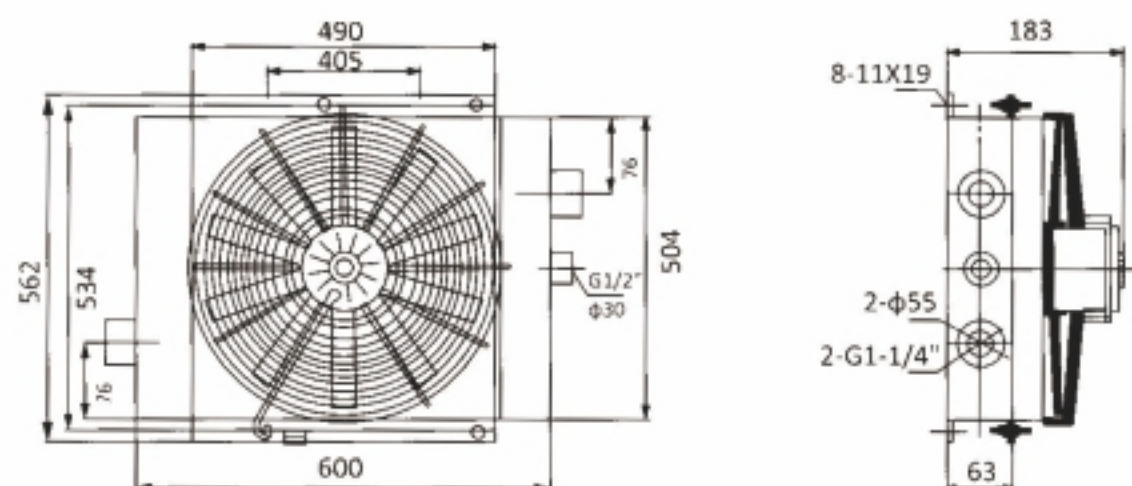
DC 12V/24V

AC 220V/380V

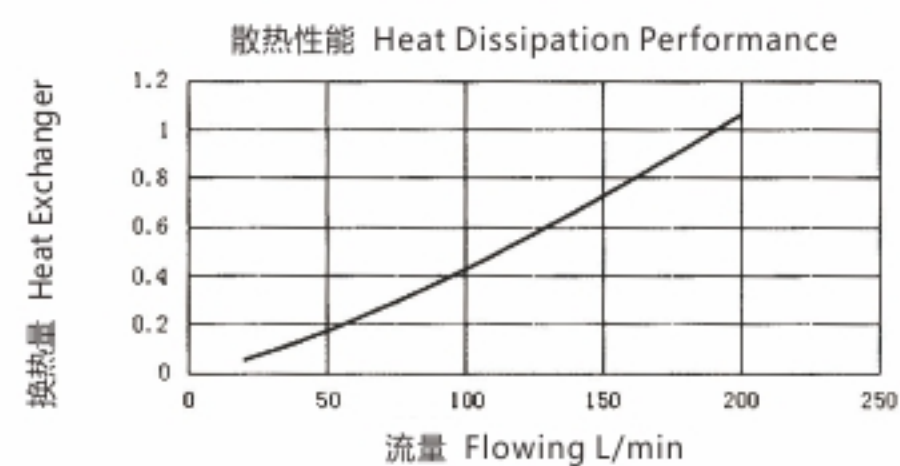
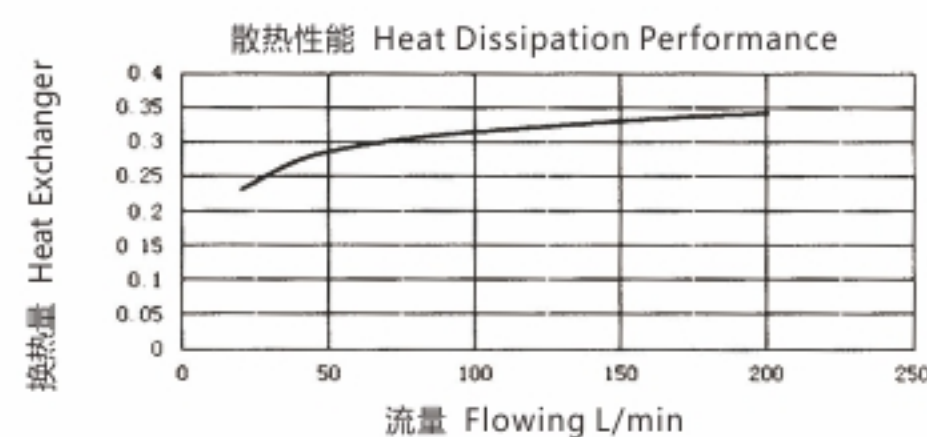
可配置12V/24V直流电机，220V/380V交流电机或液压马达驱动风扇液压油冷却器常用于挖掘机、混凝土输送泵、细沙装泵、臂架泵、车载泵、打桩机、挖沟机、旋挖钻机、摊铺机、非开挖设备、空压机、压路机作为传力介质。

Hydraulic oil cooler is often used in excavators, Concrete conveying pump, fine sand slurry pump, arm pump, Car pump, pile driver, ditcher, rotary drillrig, Paver, non-excavation equipment, air compressor, The road roller ACTS as a transmission medium.

产品尺寸图 Dimensions



性能图 Performance



管壳式换热器 Tube Heat Exchanger

我司设计生产产品具有体积小、换热系数高、重量轻、水耗能低等特点，广泛应用于润滑系统、塑料机械、空气压缩机、制冷系统、液压系统、发电设备以及石油、化工、冶金、气体分离系统和纺织等各个行业。

Our product features small volume, high heat transfer coefficient, lightweight and energy saving. It is widely used in various industries, such as lubrication system, plastic machinery, air compressor, refrigeration system, hydraulic system, power generation equipment and oil, chemical, metallurgy, gas separation system and textile industry.

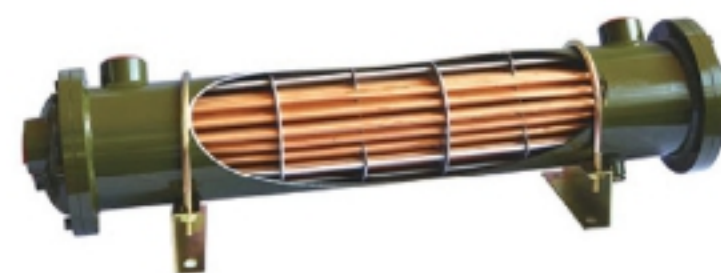
"Superior quality level is persistence"

We always focus on quality control and our well trained QC team must 100% test each product regardless of big or small orders.



OR 系列多管道折流式冷却器 OR Series Multipipe Baffled Tube Heat Exchanger

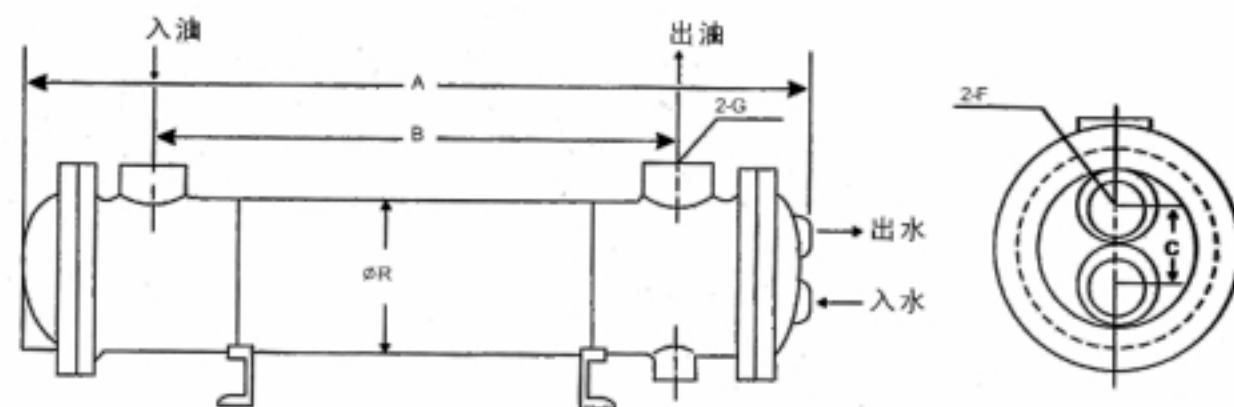
产品特点 Product Features



- 1. 冷却面积十足**
本冷却器所有的铜管数目，是鳍管式及滚牙状管式的三倍以上。
- 2. 冷却管材料高效散热**
本冷却器采用纯紫铜管，热传导率0.95以上。
- 3. 防漏效果佳**
本冷却器在管板与本体采用一体化设计，可避免水油混合。在出厂前，会经过气密测试确保密封。

- 1. Wide Heat Transfer Area**
DONGXU cooper pipes number are 3 times above than fin tube type and roll-tooth type ones.
- 2. High Effective Thermal Conductivity**
Made of 100% Red Coopers Pipes ensure over 0.95 thermal conductivity.
- 3. No Oil Leaking**
Avoid mixing water and oil and pass the Gas Tight Performance Test before shipment.

产品尺寸图 Dimensions

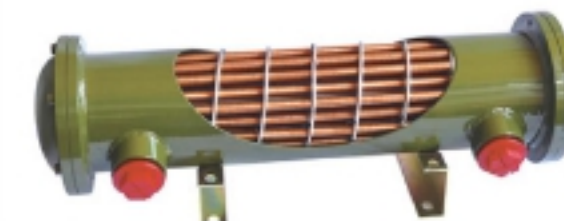


型号参数表 Model Data Sheet

型号 Model	A	B	C	R	G	F	流量 Flowrate
OR-60	450	305	55	89	3/4"	3/4"	60
OR-100	555	403	60	114	3/4"	3/4"	100
OR-150	575	385	70	140	1 1/4"	1"	150
OR-250	780	585	70	140	1 1/4"	1"	250
OR-350	1180	990	70	140	1 1/4"	1"	350
OR-600	1175	950	110	165	2"	1 1/4"	600
OR-800	1700	1490	110	165	2"	1 1/4"	800
OR-1000	2140	1890	110	165	2"	1 1/4"	1000
OR-1200	2530	2270	110	165	2"	1 1/4"	1200

DC 系列翅片螺旋式系列冷却器 OR Series Fin Spiral Series Tube Heat Exchanger

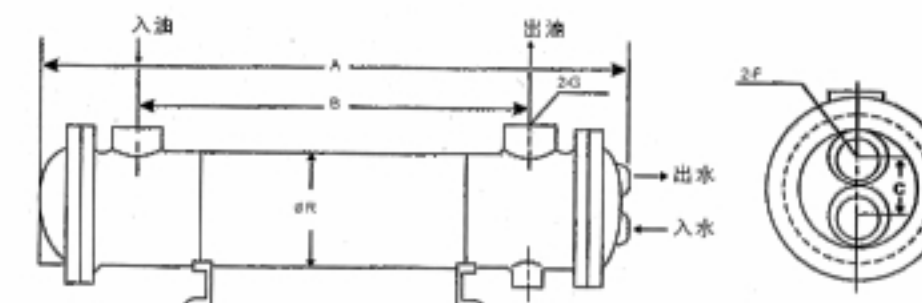
产品特点 Product Features



DC 系列翅片螺旋导流板水冷式油冷却器，引进日本的先进的工艺技术，采用了螺旋导流板引导油液形成螺旋形均匀流动，同时还应用了热交换率高的翅片型换热管及先进的密封工艺，所以大大提高了该冷却器的冷却效果。

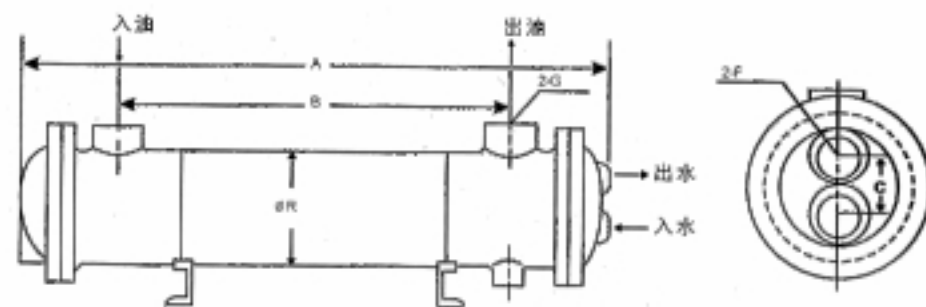
For the D-Series fin screw guide plate water-cooled oil cooler, we have introduced Japan's advanced technology adopted spiral guide plates to guide oil fluid to form helical even after flow, and at the same time, used fin-type heat exchange tube with a high heat exchange rate, and an advanced sealing technique, thus greatly enhancing the cooling effect of this cooler.

产品尺寸图 Dimensions



型号参数表 Model Data Sheet

型号 Model	A	C	B	R	G	F
DC-303	310	55	152	89	1"	3/4"
DC-304	382		224			
DC-305	454		296			
DC-306	526		368			
DC-307	598		440			
DC-308	670		512			
DC-309	742	60	584	114	1 1/4"	3/4"
DC-310	814		656			
DC-311	886		728			
DC-312	958		800			
DC-406	245		160			
DC-407	297		212			
DC-408	469		284			
DC-409	525		340			
DC-410	569		384			
DC-411	612		428			
DC-413	685		500			
DC-414	725		540			
DC-415	757	572				
DC-417	895	710				
DC-418	901	716				
DC-419	973	788				
DC-421	1045	860				
DC-426	1249	1064				



型号 Model	A	C	B	R	G	F			
DC-514	502	70	270	140	1¼"	1'			
DC-518	638		406						
DC-522	746		514						
DC-526	854		622						
DC-530	962		730						
DC-534	1070		838						
DC-538	1178		946						
DC-542	1286		1054						
DC-546	1394		1162						
DC-550	1502		1270						
DC-640	825	110	570	168	2"	1¼"			
DC-650	975		720						
DC-660	1125		870						
DC-670	1295		1040						
DC-680	1455		1200						
DC-690	1615		1360						
DC-6100	1785		1530						
DC-870	952		637				219	2½"	1½"
DC-885	1095		781						
DC-8100	1239		924						
DC-8110	1349	1034							
DC-8120	1439	1124							
DC-8130	1549	1254							
DC-8145	1659	1344							
DC-8160	1829	1514							
DC-8170	1949	1654							
DC-10110	1008	688	274	3"	1½"				
DC-10125	1170	800							
DC-10130	1205	835							
DC-10150	1279	909							
DC-10165	1389	1019							
DC-10180	1479	1109							
DC-10200	1589	1219							
DC-1210	1699	1329							
DC-10225	1779	1409							
DC-10240	1869	1499							
DC-10260	1989	1619							
DC-10280	2109	1739							
DC-10300	2249	1879							

水冷OR系列
Water-Cooled OR Series

HKDL-P系列铝叠片冷却器

HKDL-P Series Aluminum Fold Slices Tube Heat Exchanger

产品规格 Specification



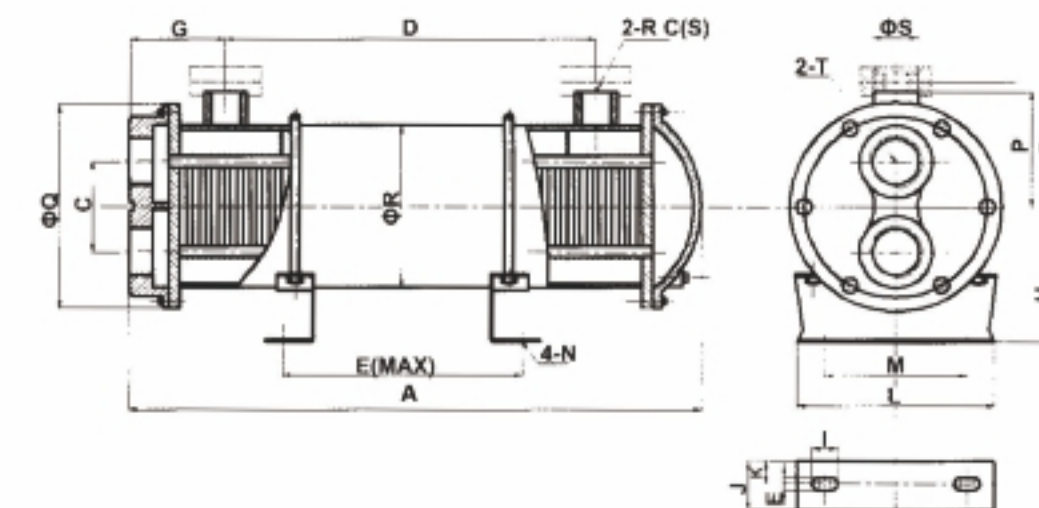
材 质 Material	紫铜、黄铜、合金铜、铝、Red cooper, brass, alloy copper, aliminum and 304, 304L, 316, 316L 不锈钢 304/304L/316/316L stainless steel
传热面积 Heat Transfer Area	0.1m ² -500m ²
管 径 Pipe Diamete	76-1000mm
耐 热 Heat Tolerance	≤500°C
耐 压 Pressure Tolerance	0-4MPa

产品特点 Product Features

我公司设计生产的HKDL-P系列铝叠片冷却器是顺应节能环保的时代要求，结合国内外先进冷却器的使用特点开发出来的新一代高效节能产品，是江苏推荐的高新技术产品。本产品具有体积小，换热系数高，重量轻、水耗能低等特点，广泛应用于润滑系统，塑料机械，空气压缩机，制冷系统、液压系统、发电设备以及石油、化工、冶金、气体分离系统、纺织等各个行业。

This series of products is a aluminum fold slices tube oil cooler specially developed for the purpose of energy conservation and environmental protection. Its main feature is using the stamping aluminum sheets to stack together as heat transfer fins on the basic of the structure of the air conditioning heat exchanger.

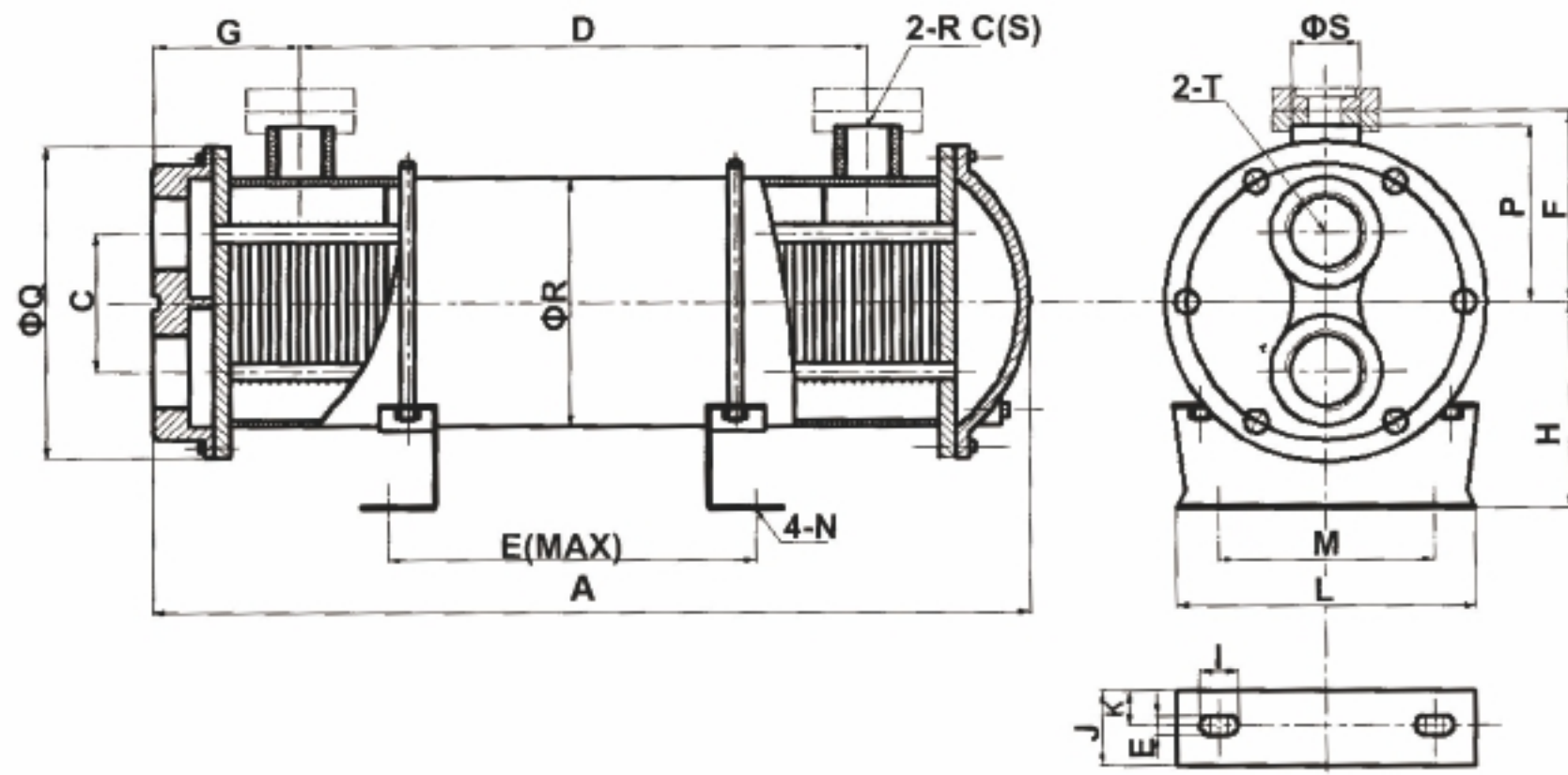
产品尺寸图 Dimensions



型号参数表 Model Data Sheet

型号 Model NO.	A	C	D	E	F	G	H	J	K	L	M	N(IN)	P	Q	R	S	T
HKDL-P305U1	309	45	152	107	85	83	61 / 75 / 89	30	15 / 13 / 15	120 / 130 / 130	58	16x20	73	120	90	Rc1 (DN25)	RC3/4
HKDL-P307U1	381		224	179		83											
HKDL-P308U1	453		296	251		83											
HKDL-P310U1/2	530		374	329		82.5											
HKDL-P312U1/2	897.5		440	395		83.25											
HKDL-P314U1/2	692.5		512	467		94.5											
HKDL-P315U1/2	742		584	539		83.5											
HKDL-P317U1/2	814		656	611		83.5											
HKDL-P319U1/2	886		728	682		83.5											

水冷OR系列
Water-Cooled OR Series



型号 Model NO.	A	C	D	E	F	G	H	J	K	L	M	N(INE)	P	Q	R	S	T
HKDL-P412	398	60	210	166	100	99	87	30	15	160	110	16x12	87	150	113	Rc1/4 (DN32)	Rc3/4
HKDL-P415	470		277	233													
HKDL-P419U1	547		358	314													
HKDL-P419U2	542		332	288													
HKDL-P421	614		427	383													
HKDL-P424	682	484	440														
HKDL-P525	564	70	346	282	116	107	99	32	18	170	120	25x14 25x14 30x18	100	280	140	Rc1 1/2 (DN40)	Rc1
HKDL-P529	624		412	348													
HKDL-P533	696		482	418													
HKDL-P537	769		542	478													
HKDL-P542	836		596	532													
HKDL-P546	912		662	598													
HKDL-P554	1055		782	718													
HKDL-P560	1116		832	768													
HKDL-P650	861	90	586	511	132	137	108	42	20	218	140	33x17	112	209	163	Rc2 (DN50)	Rc1
HKDL-P660	996		698	623													
HKDL-P670	1150		863	788													
HKDL-P680	1276		973	898													

油温控制器 (油冷机) Industrial Oil Chiller

概述 Introduction

油温控制机 (又称: 油冷机) 是以冷却油液为主要目的的液体冷却机, 使用于需要降低并保持润滑油或液压油温度的各类设备和装置。它能精确控制现代工业机械化生产所要求温度, 从而大大提高了生产效率及产品质量。

应用 Application

产品广泛应用于机械加工、纺织加工、电子制造、五金冲床、电锯、医药化工、超声波冷却、印刷、塑胶、自动化控制系统等工业生产领域。

"Serve with heart to achieve mutual benefits!"

We starts with what the customer required and with the satisfied end.



AKP系列油温控制机(油冷机) AKP Series Industrial Oil Chiller

产品应用与特点 Application & Features



应用领域 Application

工业油冷机广泛应用于液压系统及液压机械、高速冲床、深孔钻、放电加工机、数控综合切削中心机、数控平面磨床、拉床、数控精雕机、数控车床、高速车床和龙门冲床等。

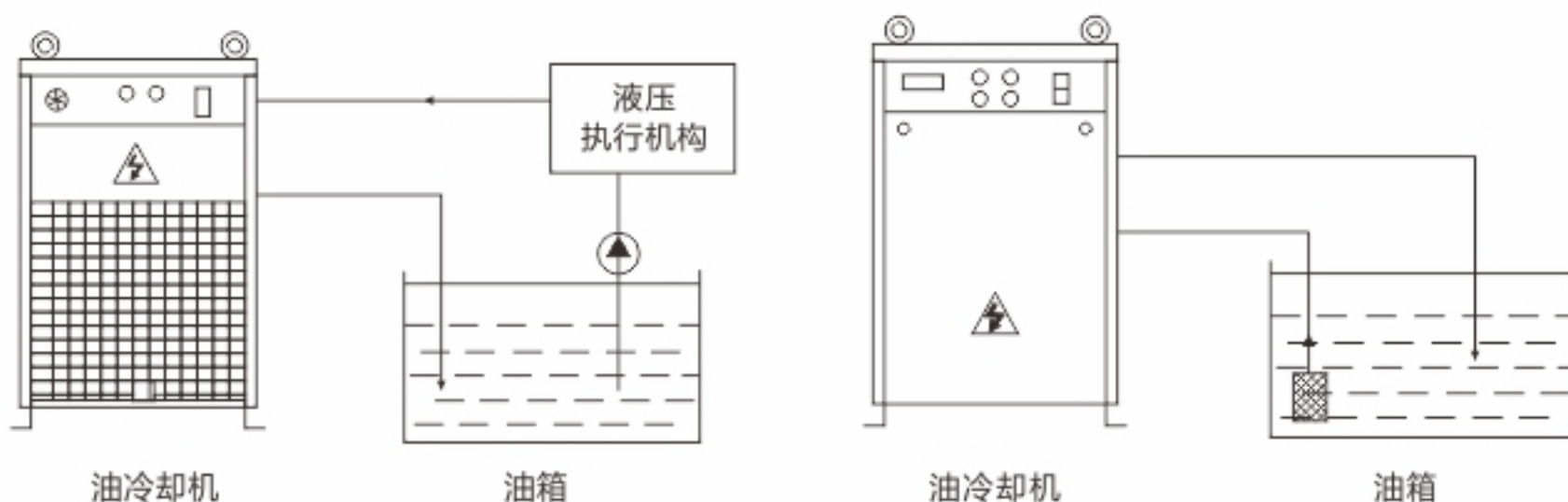
Industrial oil chiller are widely apply in hydraulic system machines, deep hole drill machines EDM machines, CNC turning centers, CNC grinding machines, CNC broaching machines, CNC carving machines, CNC machine tools, high speed punch machines, common planer punchers and so on.

应用特点 Features

1. 防止工作机械主轴因油温的变化而影响精度。
2. 防止油质因高温劣化，保持润滑油液粘度不变，使工作机械主轴稳定工作，延长机械寿命。
3. 本机附有自动故障报警功能，可通过特定方式及时提醒用户对装置进行检修，以免机件损坏。
4. 油温控制以机体温度（室温）为依据，用户可根据温度设定油温，防止机械主轴中心偏移或产生热变形。
5. 沉浸式油液冷却机控温不受杂质污染，不受切削金属粉末等所干扰，安装简便，保养容易，清洁简单和不占空间。

1. It effectively prevents the spindle of working machine from affecting the accuracy due to the change of oil temperature.
2. Prevent the deterioration of oil caused by high temperature, keep the viscosity of lubricating oil unchanged, make the main shaft of working machine stably.
3. Work, and prolong the machine life. Worry-free electric protection system for phase shortage & phase sequence alteration, over load protection and prevention of high & low pressure.
4. Oil temperature control is based on the body temperature (room temperature). The user can freely set the oil temperature according to the temperature to prevent the machine spindle center deviation or thermal deformation.
5. Temperature control of immersion oil cooler is not polluted by impurities and disturbed by cutting metal powder. It is easy to install and maintain, simple to clean and does not occupy too much space.

产品尺寸图 Dimensions



AKP系列可直接串接于液压系统、回油管路之中，此系列产品最高为3MPa耐压。

AKP系列冷却机本体带有循环油，从液压箱或齿轮箱内吸入油品经过冷却后再排回液压箱或齿轮箱。此机型输出压力应维持在3kg/cm以下，同时应在油箱内加装100-150目吸油过滤网。

AKP系列油温控制机(油冷机) AKP Series Industrial Oil Chiller

型号参数表 Model Data Sheet

型号 Model NO	AK20P	AK30P	AK50P	AK80P	AK100P	AK120P	AK150P	AK200P
冷却能力 Cooling Capacity (KCAL/H)	3000	6450	12000	16800	22500	30000	37500	45000
W	3500	7000	13980	17480	26220	34950	43650	52325
BTU/H	12000	25594	48000	60000	90000	120000	150000	180000
总功率 Total Power(w)	2250	3000	5000	5700	7300	8400	10800	18000
压缩机功率 Compressor Power(w)	1500	2250	3750	6000	7100	9000	11250	15000
压缩机电流 Compressor Current(A)	5.5	7	15	18	23	27	32	37
油泵功率 Oil Pump Power(W)	750	750	1500	2200	2200	2200	2200	2200
油泵流量 Oil Pump Max Flow(L/min)	20	30	40	60	83	135	165	175
风机功率 Fan Power(W)	75	180	75x2	180x2	180x2	220x2	220x2	220x2
外形尺寸 Outline Size (mm)	654x500x965	760x600x1130	770x720x1320	1000x880x1800	1000x880x1800	2000x700x1800	2000x700x1450	2130x1100x1750
进出口径 Dia meter of Inlet&Outlet	PT3/4"	PT3/4"	PT1 1/4"	PT1 1/4"	PT1 1/4"	PT2"	PT2"	PT2"

i

- 以上冷却能力为环境温度35℃，液体入口温度30℃。
- 本机控温方式为数显可调，用户可以设定温度的工作范围。
- 具有冷热两用功能的机型可供选择。
- 本表参数随技术改进有变化时，恕不另行通知，以产品铭牌为准。

- The cooling capacity of above oil chillers is based on 35°C environment temperature and 30°C liquid inlet temperature.
- The temperature control mode of this oil chiller is adjustable digital display, and users can set the working range of temperature.
- The model with cold and hot dual-use is available.
- The parameters of this table are subject to the product nameplate with out change notice.

维护油冷机长期措施

型号	维护内容	维护方法
1	经常清洗空气过滤网	一般1个星期清洗一次，步骤是：抽出空气过滤网；用清水清洗空气过滤网，将空气过滤网放在自来水龙头下冲洗，清洗后可将过滤网上的水甩干，插入嵌板。
2	保护冷凝器与蒸发器的散热片	冷凝器与蒸发器的散热片是用0.15毫米的铝片套入铜管后胀管而成，经不起碰撞，若损坏了散热片（倒片），就会影响空调的散热效果，使制冷效率减低。因此，要特别注意保护好。
3	保护好制冷系统	若损坏了制冷系统的部件或连接管路，就会使制冷剂泄漏，冷却器就不能制冷。
4	防止电器系统受潮	电器系统受潮后易漏电，所以电器系统部位切忌进水，特别是伏天、梅雨季节，更要注就防潮。
5	要经常检查压缩机电机连接线	要经常检查压缩机电机与热继电器的接触是否良好，应无松动或脱落。
6	注意油冷机的运行声音	当听到油冷机在运行时有异常杂声，如金属碰撞声，电机嗡嗡声、外壳振动声等，应立即关机检查原因，切不可盲目继续使用，以免出现更大的损坏。
7	经常揩擦油冷机的外表面	特别是面板部分，以保持油冷机的清洁。



油冷机 AKP 系列
Oil Chiller AKP Series

板式换热器 Plated Heat Exchanger

概述 Introduction

我公司生产的板式换热器，具有换热效益高、结构紧凑、温度控制灵敏、拆装方便、使用寿命长等特点，是目前国内先进的高效节能换热设备。可用于加热、冷却、蒸发、冷凝、杀菌、消毒和热力回收冷却。

应用 Application

我公司生产的板式换热器产品，可处理的介质非常广泛，从普通的工业用水，到高粘度的液体，从卫生要求较高的食品液体，医药物料到具有一定蚀性的液体，从含有颗粒粉体的液态物料到含有少量纤维的悬浮液体，均可采用板式换热器处理。特别适用于各种机械润滑油、液压油站、稀油站、润滑站、调速型液力耦合器的液力油、机械制造中的淬火油、电镀溶液、食品行业中食用的麦芽汁。目前已广泛应用于冶精金、矿山、石油、化工、电力、医药、食品、化纤、轻纺、船舶和集合供热等工业部门。

"We could be your solution partner!"

We well formed a strict all-the-way tracking service system. Welcome directly email our tech service center once having products improvement advices.



HBR系列板式换热器 HBR Plated Heat Exchanger

产品特点 Product Features



- 1. 高效节能:** 板式换热器的传热系数高, 比相同平方管式换热器提高30%-50%”
- 2. 结构紧凑:** 板式换热器体积小、占地面积小、换热损失小、重量轻, 每立方米体积内约布置250m²左右的传热面积, 占地面积仅为列管式换热器的14%-18%。
- 3. 拆装清洗方便:** 板式换热器靠夹紧螺栓将夹板和板片夹紧: 因此拆装方便, 随时可以打开清洗。有时甚至可以不完全拆开, 仅把压紧螺栓松开就可抽出板片清洗, 更换胶垫, 以致更换板片, 同时由于板面光洁, 湍流程度高, 不易结垢。
- 4. 使用寿命长:** 板式换热器板片用不锈钢或合金板压制, 可耐各种腐蚀介质。
- 5. 适用性强:** 板式换热器板片为独立元件, 可按要求随意增减流程, 形式多样。
- 6. 不串液:** 板式换热器密封槽泄液道, 各种介质不会串通, 即使出现泄漏, 介质总是向外排出。

板片材质 Plates Material

板片材质 Plates Material	适用范围 Suitable Range
SUS304、304L、316/316L	水、河水、油
钛板、铝板、钛钯合金 Titanium plate, Aluminum plate, Titanium palladium alloy	海水、盐水、盐化物
20Gr、18Ni、6Mo(SMO254)、银(Ni)	稀硫酸、五机水溶液、稀盐化物水溶液、高温、高浓度苛性钠
哈氏合金Hastelloy(C276、D205、B2G)	浓硫酸、盐酸、磷酸

常用密封材质 Common Seals Material

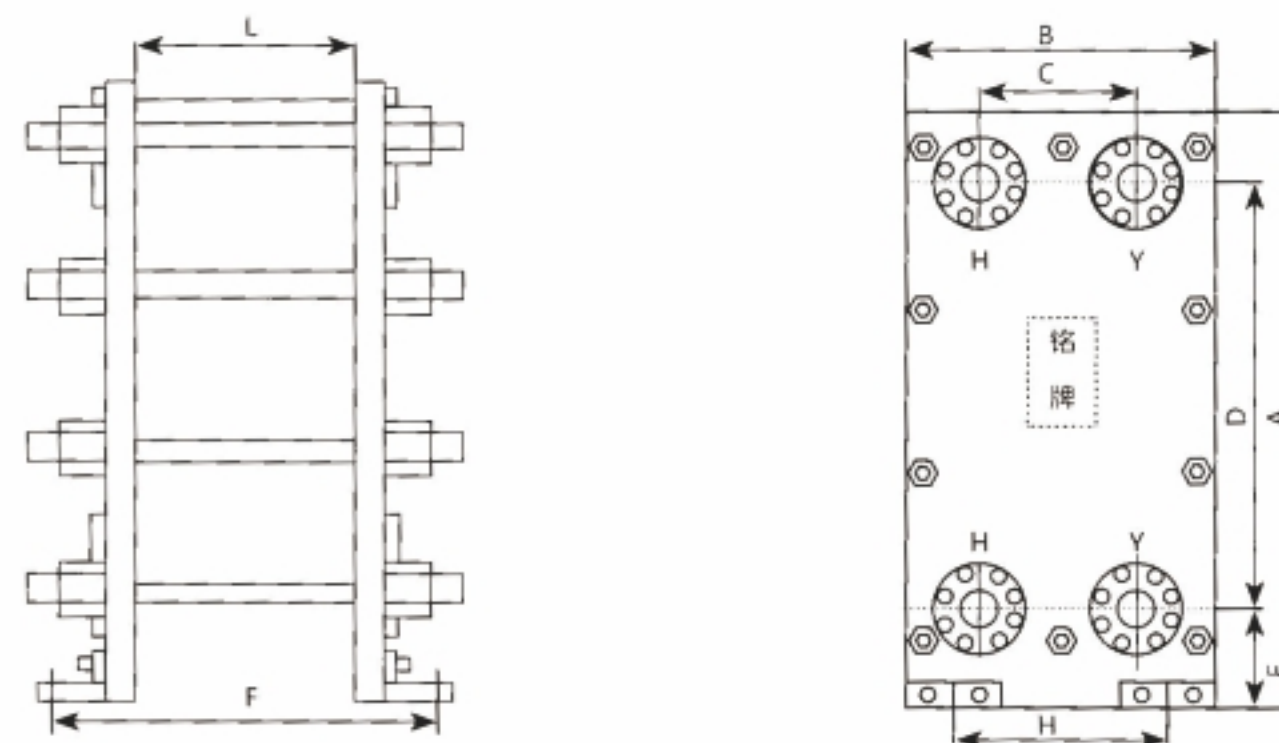
胶种 Rubber Species	代号 Code	使用温度 Temp.°C	使用介质范围 Medium Range
三元乙丙橡胶	E	-50-180	水、水蒸气; 食品类: 稀浓度无机酸、碱、氯化物; 胺类化合物; 液氨、醇、醛、酮等
丁腈橡胶	N	-20-135	水、水蒸气; 植物油、矿物油、润滑油、燃料油、各类烃类
氟橡胶	F	-50-250	水、水蒸气、浓硫酸、硝酸、盐酸、烧碱、极性溶剂、醇类、非极性矿物油
氟硅橡胶	C	-40-100	液氨、氟利昂、弱酸、弱碱
硅橡胶	Q	-60-220	水、水蒸气、食品类; 弱酸, 弱碱, 油类

型号标注说明 How to Order

H B R XX -X- -X-



产品尺寸图 Dimensions



型号参数表 Model Data Sheet

型号 Model NO	HBR0.06	HBR0.11	HBR0.25	HBR0.33	HBR0.04	HBR0.55	HBR0.75	HBR0.95	HBR1.1
尺寸 Size									
A	537	737	1109	1232	1326	1500	1700	2180	2140
B	235	320	480	480	480	600	700	720	880
C	85	140	223	223	225	294	344	344	415
D	416	492	719	842	1046	1180	1325	1781	1502
E	66	140	216	215	160	180	213	325	349
G	F	F-65	F-100	F-100	F-100	F-20	F-20	F-60	F-60
H	185	260	420	420	420	510	610	610	760
L	3.6N	3.6N	4.1N	4.2N	4.2N	4.4N	4.4N	4.4N	4.7
接口直径 Interface Diameter (mm)	40	50	65	100	100	135	150	200	250
最大装机面积 Max.Dissipation Area (m ²)	5	15	25	45	60	160	200	250	350
最大流量 Max.Flow(m ³ /h)	40	60	80	120	150	230	380	500	700

Let **DONGXU** be well done, well known, well loved in the world!

▶ Page 1 如何选择换热器
How to Choose Heat Exchanger

▶ Page 2 风冷的使用说明书
Instruction of Aired Oil Cooler

▶ Page 3 各国电压一览表
World Industrial Voltage Table

▶ Page 4 国际单位换算表
International Unit Conversion Table

▶ Page 5 流速表
Flowing Speed Table



如何选择换热器

How to Choose A Heat Exchanger

所选型号必须同时能满足系统流量及发热功率的要求，一般通过以下计算方法选择。

1. 功率损耗计算法

测算现有设备的功率损失，利用测量一定时间内油的升温，从而根据油的升温来计算功率损失。通常用如下方法求得：

$$P_v = \Delta T \cdot C_m \cdot \rho_o \cdot v / T / 60 \text{ [kw]}$$

例：测量某一液压系统在20分钟内油温从20°C上升到45°C，油箱容量为100L，产生的热功率为：

$$P_v = 25 \cdot 1.88 \cdot 0.915 \cdot 100 / 20 / 60 = 3.58 \text{ [kw]}$$

然后按系统正常工作的最佳期望油温来计算当量冷却功率：

$$P_{oi} = P_v / (T_i - T_s) \cdot \eta_1 \text{ [KW/°C]}$$

假如该系统的最佳期望油温为55°C，当时的环境温度为35°C。

$$P_{oi} = 3.58 \cdot 1.1 / (55 - 35) = 0.197 \text{ [KW/°C]}$$

最后按当量冷却功率来选择所匹配的冷却器。

2. 发热功率估算算法

一般取系统总功率的1/3作为冷却器的冷却功率。

3. 流量计算法

A. 用于回油管冷却

$$Q = L \cdot S \cdot \eta_2$$

$$S = A1 / A2$$

B. 用于泄油管或独立冷却回路冷却

$$Q = L \cdot \eta_2$$

The selected model must meet the requirements of both system flow and heating power at the same time, generally selected by the following calculation methods.

1. Power Loss Method

It is usually obtained by the following methods:

Measuring oil rising temperature at a certain time, and calculating the power loss of equipment according to the temperature rise of the oil. The formula is as follow:

$$P_v = \Delta T \cdot C_m \cdot \rho_o \cdot v / T / 60 \text{ [kw]}$$

For example: One hydraulic system is measured in 20 minutes, the oil temperature rises from 20°C to 45°C and the oil tank capacity is 100L. The thermal power is

$$P_v = 25 \cdot 1.88 \cdot 0.915 \cdot 100 / 20 / 60 = 3.58 \text{ [kw]}$$

Then according to the best expected oil temperature of system normal operation to calculate equivalent cooling power:

$$P_{oi} = P_v / (T_i - T_s) \cdot \eta_1 \text{ [KW/°C]}$$

Assumed best expected oil temperature of the system is 55°C, and the present temperature is 35°C.

$$P_{oi} = 3.58 \cdot 1.1 / (55 - 35) = 0.197 \text{ [KW/°C]}$$

Finally, the oil cooler is selected by the present cooling power.

2. Heating Power Estimation Method

In general, the 1/3 total power of the system is equal to the cooling power of an oil cooler,

3. Flow Calculation Method

A. For cooling oil-return pipe

$$Q = L \cdot S \cdot \eta_2$$

$$S = A1 / A2$$

B. For cooling oil drain pipe or independent cooling loop

$$Q = L \cdot \eta_2$$

式中：

P_v = 功率损耗[kw]

V = 油箱容量[l]

C_m = 当量热容量[KJ/KgK]

对于矿物油：1.88KJ/KGK

ρ_o = 油的密度[KG/l]

对于矿物油：0.915kg/l

ΔT = 系统的升温[°C]

t = 工作时间[min]

P_{oi} = 当量冷却功率

T_i = 期望油温[°C]

T_s = 环境温度[°C]

η_1 = 换热功率安全系数

一般取1.1

P_v = Power loss[kw]

V = Tank capacity[l]

C_m = Thermal capacity [KJ/KgK]

For mineral oil :1.88KJ/KGK

ρ_o = Oil density[KG/l]

For mineral oil 0.915kg/l

ΔT = Rising temperature of

system[°C]

t = Working time [min]

P_{oi} = Equivalent cooling power

T_i = Expected oil temperature[°C]

T_s = Environment temperature[°C]

η_1 = Heating power safety index

Noted: Generally take 1.1

Q = 冷却器的通过量[K/min]

L = 油泵的吐出量[L/min]

S = 有效面积比

$A1$ = 油缸无杆腔有效面积

$A2$ = 油缸有杆腔有效面积

η_2 = 流量安全系数

注：一般取2，液庄油黏度越大

大则安全系数越大。

Q = Cooler throughput [K/min]

L = Oil pump flowing rate [L/min]

S = Effective area ratio

$A1$ = Cylinder rod-less effective area

$A2$ = Cylinder rod effective area

η_2 = Flow safety index

Noted: Generally take 2, the larger viscosity of hydraulic oil is, the larger safety index is.

风冷式油冷却器使用说明书 Instruction of Air-Cooled Oil Cooler

冷却器的选用

冷却器的工作流量=泵流量×油缸速比×油缸数量×安全系数
(油缸速比=无杆腔面积/有杆腔面积,安全系数:2-3,常取3。)

严禁安装冷却器的工作流量等于泵流量来选型。

冷却器的安装

1. 冷却器的安装位置应避免振动和冲击,进排风通道顺畅,并安装牢固。
 2. 电路连接必须请专业电工完成。
 3. 冷却器的表面可能会有高温,须有充分的防护或将其放置于不易触及的地方。
 4. 连接冷却器进出口接头时,必须用扳手固定油口的外六(四)角卡位,再拧紧接头,否则会造成冷却器损坏和变形,导致泄漏。
 5. 冷却器的油口进出是可以互换的,但必须有必要措施保证散热器芯体的压力不能超过 0.8Mpa。
- 5-1 冷却器用于定量泵回路时,由于系统动作时会产生脉冲压力,必须在进油管加装0.5Mpa旁通单向阀。
5-2 冷却器旁通阀出油管直接回到回油管时,回油管口径必须大于进油管口径面积的1.5倍。(推荐旁通阀的出油管独立回油箱;或者独立循环冷却)

请每个星期用高压空气除尘一次。

Howto choose an aired oil cooler?

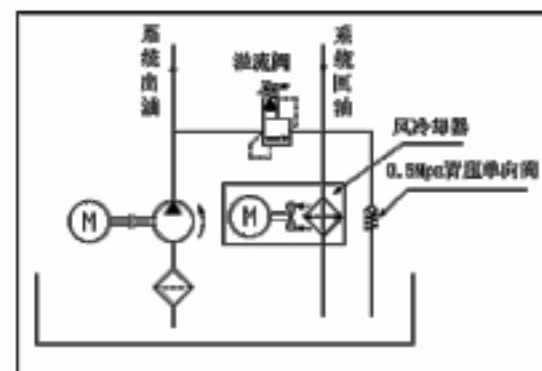
Cooler working flow= Pump flow X Cylinder speed ratio X Cylinder number X Safety Index
(Cylinder speed ratio = rod-less cavity area / rod cavity area. Safety index: 2-3, generally take 3.)

It is strictly prohibited to let cooler working flow equal to pump flow when choosing.

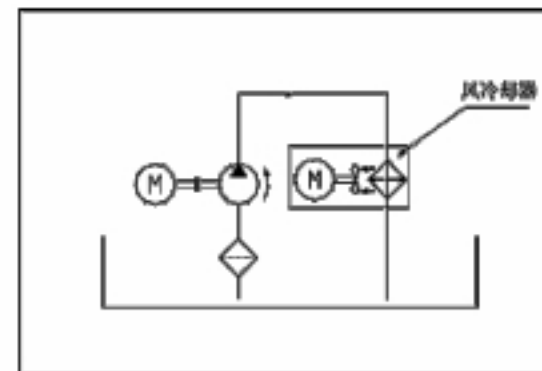
Installation

- 1.The installation position of the cooler should avoid vibration and impact, keep smooth air inlet & outlet ducts and be firmly installed.
 - 2.Circuit connection must be done by a professional electrician.
 - 3.The surface of the cooler may have high temperature, which must be adequately protected or placed it in an untouchable place.
 - 4.When connecting the inlet and outlet joints of the cooler, a wrench must be used to fix the six (four) angles position of the joints and then tighten them, otherwise the cooler will be damaged; deformed and leaked.
 - 5.The oil inlet and outlet of the cooler are interchangeable, but there must be some measures to ensure that the pressure of the radiator core can not exceed 0.8Mpa.
- 5-1, When the cooler is used in the quantitative pump circuit; the 0.5Mpa bypass one-way valve must be installed in the in take pipe due to the pulse pressure generated once the system operated.
5-2, When the out take pipe of bypass one-way valve is directly back to the oil-return pipe, the diameter of oil-return pipe must be 1.5 times larger than the one of the intake pipe. (Recommended bypass one-way valve independent return tank, or independent cycle cooling).

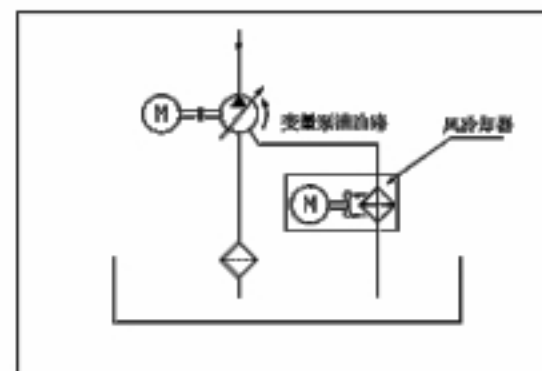
Please removing dust with high pressure air once a week.



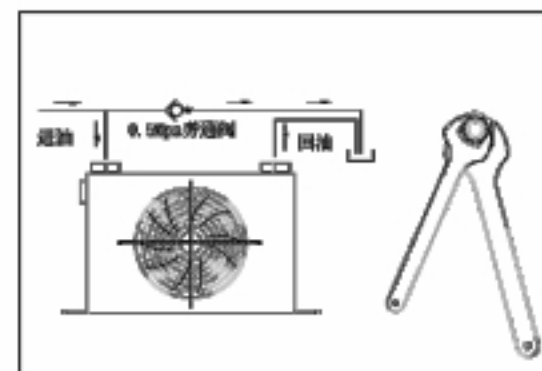
回油口接法
Oil recovery method



独立冷却接法
Independent cooling connection



泄油口接法
Oil outlet joint method



安装示意
Install a hint

各国电压一览表 World Industrial Voltage Table

地区国名 Region		周率 Frequency	电压 Voltage	
中文 CN	英文 EN		单相 Single-phase	三相 Three-phase
阿富汗	Afghanistan	50	220	220/380
阿尔及利亚	Algeria	50	127/220	220/380
阿根廷	Argentina	50	220	220/380
澳洲	Australia	50	240	240/415
奥地利	Austria	50	220	220/380
巴哈马	Bahamas	60	120	120/208
比利时	Belgium	50	127/220	220/380
巴西	Brazil	50	110/220	220/380
		60	127	
缅甸	Myanmar	50	230	230/440
高棉	Khmer	50	120	220/380
加拿大	Canada	60	110/220	220/440
智利	Chile	50	220	220/380
中国大陆	Chinese	50	220	220/380
哥伦比亚	Columbia	60	110/220	220/380
哥斯达黎加	Costa Rica	60	120/240	240
古巴	Cuba	60	115/120	240
捷克	Czech	50	120/220	220/380
丹麦	Denmark	50	220	220/380
多米尼加	Dominican	60	110/220	220
埃及	Egypt	50	220	220/380
芬兰	Finland	50	220	220/380
法国	France	50	115/220/127	220/380
德国	Germany	50	110/220	220/380
希腊	Greece	50	220	220/380
格陵兰	Greenland	50	220	220/380
危地马拉	Guatemala	60	120/127/220	220/240
洪都拉斯	Honduras	50	110/220	220
香港	Hong Kong	50	110/200/230	200/346
匈牙利	Hungary	50	220	220/380
冰岛	Iceland	50	220	220/380
印度	India	50	230	220/380
				230/400

地区国名 Region		周率 Frequency	电压 Voltage	
中文 CN	英文 EN		单相 Single-phase	三相 Three-phase
印尼	Indonesia	50	127/200	220/380
伊朗	Iran	50	110/220	220/380
伊拉克	Iraq	50	220	220/380
爱尔兰	Ireland	50	220	220/380
以色列	Israel	50	230	230/400
意大利	Italy	50	127/220	220/380
日本	Japan	50/60	100/200	220
约旦	Jordan	50	220	220/380
韩国	Korea	60	100/200	200
科威特	Kuwait	60	100/200	200
墨西哥	Mexico	60	127/220	220/380
荷兰	Netherl ands	50	110/220	220/230
新西兰	New Zealand	50	230	230/400
尼加拉瓜	Nicaragua	60	120/240	240
挪威	Norway	50	230	230
巴基斯坦	Pakistan	50	230	220/300 230/400
巴拿马	Panama	60	110/220/120	220/240
秘鲁	Peru	60	110/220	220
菲律宾	Philippines	60	110/220	220/440
葡萄牙	Portugal	50	110/190/220	220/380
沙乌地	saudi	50	127/220	230/400
阿拉伯	Arab	60		240/415
苏格兰	Scotland	50	240	230/400
新加坡	Singapore	50	115/230	220/380 230/400
南非共和国	RE public of South Africa	50	220/380	220/380
西班牙	Spain	50	127/220	220/380
瑞士	Switzerland	50	220	220/380
泰国	Thailand	50	110/220	220/380
土耳其	Turkey	50	127/230/220	220/440
美国	U.S.A	60	110/220	240/415
英国	Britain	50	240	240/415
越南	Vietnam	50	127/220	220/380

国际单位换算表 International Unit Conversion Table

Length

	m	cm	mm	A	mile	fm	ft	in	n mile	Vd	mil	rad
m	1	100	1000	1010	6.21x10 ⁻⁴	0.54	3.28	39.36	5.39x10 ⁻⁴	0.0497	1.09	3.93x10 ⁻¹
cm	0.01	1	10	108	6.21x10 ⁻⁵	5.46x10 ⁻²	3.28x10 ⁻²	0.39	5.39x10 ⁻⁵	4.97x10 ⁻⁵	10.9x10 ⁻²	3.93x10 ⁻²
mm	0.001	0.1	1	107	6.21x10 ⁻⁶	5.46x10 ⁻³	3.28x10 ⁻³	0.03	5.39x10 ⁻⁶	4.97x10 ⁻⁶	10.9x10 ⁻³	3.93x10 ⁻³
A	10 ⁻¹⁰	10 ⁻⁸	10 ⁻⁷	1	6.214x10 ⁻⁴	5.46x10 ⁻³	3.28x10 ⁻³	3.93x10 ⁻¹	5.39x10 ⁻⁴	4.97x10 ⁻⁵	10.9x10 ⁻²	3.93x10 ⁻¹
mile	1609.34	1.60x10 ⁵	1.60x10 ⁶	1.60x10 ¹⁰	1	87.82	5280	63358.26	0.86	79.98	1703.62	6.33x10 ³
fm	1.82	182.9	1829	1.82x10 ¹⁰	1.13x10 ³	1	6.001	72	9.87x10 ⁻¹	0.09	2.001	7.20x10 ⁰
ft	0.30	30.48	304.8	3.04x10 ⁹	1.89x10 ⁴	0.1686	1	12	1.66x10 ⁻¹	0.01	0.33	1.19x10 ¹
in	0.02	2.54	25.4	2.54x10 ⁶	1.57x10 ⁵	1.38x10 ²	1.38x10 ²	1	1.37x10 ⁻¹	1.26x10 ⁻²	2.77x10 ²	999.99
n mile	1852	1.85x10 ⁵	1.85x10 ⁶	1.85x10 ¹¹	1.1516	1012.48	1012.48	72911.38	1	92.04	2026.08	7.29x10 ³
	2011	2011.68	2011.68	2.01x10 ¹¹	0.0125	10.99	10.99	791.97	1.08x10 ⁻²	1	22	7.91x10 ²
yd	0.91	91.44	914.4	9.14x10 ⁹	5.68x10 ⁴	0.49	0.49	35.99	4.93x10 ⁻¹	0.04	1	3.56x10 ¹
mil	2.54x10 ⁻³	2.54x10 ⁻¹	0.02	2.54x10 ⁵	1.58x10 ⁴	1.39x10 ⁻¹	1.39x10 ⁻¹	10 ⁻¹	1.37x10 ⁻¹	1.26x10 ⁻²	2.78x10 ¹	1
rad	5.02											5.5x10 ⁻⁶

Area

	m ²	km ²	are	ha	acre	sq.mi	sq.ft	sq.in	sq.yd
m ²	1	10 ⁻⁶	0.01	10 ⁻⁴	0.000247	3.86x10 ⁻⁷	10.764	1.550x10 ³	1.196
km ²	106	1	10 ⁴	100	247.1	0.386	1.076x10 ⁷	1.550x10 ⁹	1.196x10 ⁶
are	100	10 ⁻⁴	1	0.01	2.471x10 ⁻²	3.86x10 ⁻⁵	1.076x10 ³	1.550x10 ⁵	119.6
ha	10000	10 ⁻²	10 ²	1	2.471	3.86x10 ⁻³	107640	15499070	1.196x10 ⁴
acre	4047	4.047x10 ⁻³	40.47	0.4047	1	1.562x10 ⁻³	43561.908	6272473.629	4843
sq.mi	2.590x10 ⁶	2.590	2590x10 ⁴	259	639.989	1	2.788x10 ⁷	4.014x10 ⁹	3.099x10 ⁶
sq.ft	0.093	9.3x10 ⁻⁸	9.3x10 ⁻⁴	9.3x10 ⁻⁶	2.29x10 ⁻⁵	3.59x10 ⁻⁸	1	144.141	0.1111
sq.in	6.452x10 ⁻⁴	6.452x10 ⁻¹⁰	6.452x10 ⁶	6.452x10 ⁸	1.597x10 ⁷	2.491x10 ⁻¹⁰	6.945x10 ⁻³	1	7.7x10 ⁻⁴
sq.yd	0.8361	8.361x10 ⁻⁷	8.361x10 ³	8.361x10 ⁵	2.065x10 ⁻⁴	3.227x10 ⁻⁷	8.999	1295.877	1

Volume

	m ³	L, dm ³	cm ³ , ml, c.c	ft ³	in ³	UK gal	U.S gal	US bbl	US bbl
m ³	1	10 ³	106	35.3147	6.10237x10 ⁻⁴	2.19969x10 ⁻²	2.64172x10 ⁻³	6.28994	6.28994
L, dm ³	10	1	10	3.53147x10 ⁻²	61.0237	2.19969x10 ⁻¹	2.64172x10 ⁻¹	6.28994x10 ³	6.28994x10 ³
cm ³ , ml, c.c	10	10 ⁻³	1	3.53147x10 ⁻⁵	6.10237x10 ⁻²	2.19969x10 ⁻⁴	2.64172x10 ⁻⁴	5.28994x10 ⁶	6.28994x10 ⁶
ft ³	2.83168x10 ⁻²	38.3168	2.83168x10 ⁴	1	1728	6.22883	7.48052	1.78409x10 ³	1.78409x10 ³
in ³	1.63871x10 ⁻⁵	1.63871x10 ⁻²	16.3871	5.78704x10 ⁻⁴	1	3.60466x10 ⁻³	4.32901x10 ⁻³	1.0307x10 ⁻⁴	1.0307x10 ⁻⁴
UK gal	4.54609x10 ⁻³	4.54609	4.54609x10 ³	1.605447x10 ⁻¹	2.7742x10 ²	1	1.20095	2.85942x10 ⁻³	2.85942x10 ⁻²
U.S gal	3.78541x10 ⁻³	3.78541	3.78541x10 ³	1.33681x10 ⁻¹	2.31x10 ²	8.32674x10 ⁻¹	1	2.85942x10 ⁻³	2.85942x10 ⁻²
US bbl	1.58984x10 ⁻¹	1.58984x10 ²	1.58984x10 ⁵	5.61447	9.701794x10 ³	34.97156	41.99913	1	1

Density

Unit	kg/m ³	lb/ft ³	lb/in ³	lb/gal	lb/gal	lb/bbl
kg/m ³	1	0.0624	3.6X10 ⁻⁵	8.3X10 ⁻³	0.01	0.35
lb/ft ³	16.02	1	5.8X10 ⁻³	0.132	16.18	5.61
lb/in ³	27679.9	1727.22	1	226.42	276.8	9688
lb/gal	119.826	7.48	0.043	1	1.2	41.94
lb/gal	99.776	6.23	0.036	0.83	1	34.92
lb/bbl	2.853	0.18	1.03x10 ⁻³	0.024	0.0285	1

Temperature

Celsius to Fahrenheit °F= (°Cx1.8)+32
Fahrenheit to Celsius °C=(°F-32)/1.8

国际单位换算表 International Unit Conversion Table

Weight

	t	kg	Ukton	lb	oz	sh.ton	long ton
t	1	1000	0.9842	2205	3.527x10 ⁴	1.10 ²	0.984
kg	0.001	1	9.842x10 ⁻⁴	2.205	35.27	1.1x10 ⁻³	9.8x10 ⁻⁴
Ukton	1.0161	1016.1	1	2240.5	3.584x10 ⁴	1.12	1
lb	4.535x10 ⁻⁴	0.454	4.463x10 ⁻⁴	1	15.995	5.0x10 ⁻⁴	4.462x10 ⁻⁴
oz	2.835x10 ⁻⁵	0.02835	2.79x10 ⁻⁵	6.251x10 ⁻²	1	3.124x10 ⁻⁵	2.79x10 ⁻⁵
sh.ton	0.907	907	0.893	2000	3.2x10 ⁴	1	0.892
long ton	1.016	1016	1	2240.28	3.583x10 ⁴	1.12	1

Flux

	t	kg/h	kg/min	kg/s	Ukton/h	lb/h	lb/min	lb/s
t/h	1	103	16.6667	0.277778	0.984207	2204.62	36.7437	0.612394
kg/h	10 ⁻³	1	0.0166667	2.77778x10 ⁻⁴	9.84207x10 ⁻⁴	2.20462	0.0367437	6.12395x10 ⁻⁴
kg/min	0.06	60	1	0.0166667	0.0590524	132.277	2.20462	0.0367437
kg/s	3.6	3600	60	1	3.54315	7936.63	132.277	2.20462
Ukton/h	1.01605	1060.05	16.9342	0.282236	1	2240	37.3333	0.622223
lb/h	4.53592x10 ⁻⁴	0.453592	0.00755987	1.25998x10 ⁻⁴	4.46429x10 ⁻⁴	1	0.0166667	2.77778x10 ⁻⁴
lb/min	0.0272155	27.2155	0.453592	0.00755987	0.0267857	60	1	0.0166667
lb/s	1.63293	1632.93	27.2155	0.453592	1.60714	3600	60	1

Power

	w	kw	kgm/s	HP	koal/h	BTU/min	BTU/hr
1(w)	1	0.001	0.102	1.341x10 ⁻²	0.860	0.0568	3.41
1(kw)	1000	1	101.97	1.341	860	56.85	3413
1(kgm/s)	9081	9.81x10 ⁻²	1	0.0131	8.424	0.5588	3.34
1(Hp)	748	0.748	76	1	842.4	42.462	2544
1(kcal/h)	1.163	1.163x10 ⁻²	0.119	0.00156	1	0.0661	3.97
1(BTU/min)	17.608	0.0175	1.796	0.02355	15.13	1	62.5
1(BTU/hr)	0.293	0.293x10 ⁻²	0.299	0.393x10 ⁻²	0.252	0.016	1

Energy

	w	kw	kgm	kcal	BTU	kwh	1Hph
1 (J)	1	0.000278	0.102	0.000239	0.00095	27.8x10 ⁻⁸	3.728x10 ⁻⁷
1 (wh)	3600	1	356	0.880	3.412	0.001	0.00134
1 (kgm)	9.81	2.725x10 ⁻³	1	0.00234	0.00929	2.725x10 ⁶	3.659x10 ⁻⁸
1 (kcal)	4184	1.163	427	1	3.968	1.163x10 ⁻⁴	0.00148
1 (BTU)	1052.8	0.2931	107.64	0.252	1	2.931x10 ⁻⁴	0.393x10 ⁻³
1 (kwh)	3.6x10 ²	1000	3.67x10 ⁵	860	3412.5	1	1.3414
1 (Hph)	2.686x10 ²	746.2	273745	641	2544	0.7462	1

	N	kgf	lbf	dyn
N	1	0.102	0.225	105
kgf	9.8	1	2.21	9.8K10 ⁶
lbf	4.45	0.4536	1	4.45x10 ⁵
dyn	10 ⁵	1.02X10 ⁻⁶	2.25X10 ⁻⁶	1

