



## BMR-BK01 SERIES HYDRAULIC MOTOR WITH BRAKE

BMR-BK01 Series hydraulic motor with brake extending BMR series motor range. This motor has an integrated holding brake.

### Characteristic features:

- \*Advanced manufacturing devices for the Geroler gear set , which use low pressure of start-up , provide smooth , reliable operation and high efficiency .
- \*Shaft seal can bear high pressure of back and the motor can be use in parallel or in series .
- \*Special design in the driver-linker and prolong operating life .
- \*Special design for distribution system can meet the requirement of low noise of unit .
- \*Compact volume and easy installation .
- \*Small volume and radial dimension,high holding torque,power brake,low weight and easy to install.

### Main Specification

Type		BMR -BK01 50	BMR -BK01 80	BMR -BK01 100	BMR -BK01 125	BMR -BK01 160	BMR -BK01 200	BMR -BK01 250	BMR -BK01 315	BMR -BK01 375
Geometric displacement (cm <sup>3</sup> /rev.)		51.7	81.5	102	128	157	195	253	318	381
Max. speed (rpm)	rated	490	479	478	421	341	276	212	169	141
	cont.	509	502	497	459	372	301	231	184	166
	int.	603	598	574	574	465	376	289	230	192
Max. torque (N•m)	rated	104	164	205	256	316	335	437	456	465
	cont.	103	203	254	317	391	359	437	456	465
	int.	88.6	160	200	250	308	333	473	502	520
Max. output (KW)	rated	5.3	8.2	10.3	11.3	11.3	9.7	9.7	8.1	6.9
	cont.	5.5	10.7	13.2	15.2	15.2	11.3	10.6	8.8	8.1
	int.	5.6	10	12	15	15	13.1	14.3	12.1	10.5
Max. Pressure drop (MPa)	rated	14	14	14	14	14	12	12	10	8.5
	cont.	14	17.5	17.5	17.5	17.5	13	12	10	8.5
	int.	17.5	20	20	20	20	17.5	13	11	9.5
Max. Flow (L/min)	rated	26	40	50	55	55	55	55	55	55
	cont.	27	42	52	60	60	60	60	60	65
	int.	32	50	60	75	75	75	75	75	75
Min. opening pressure (MPa)		1.7—2.2								
Max. inlet pressure (MPa)		25								
Max. brake release port pressure (MPa)		25								
Max. static torque (Nm)		500—550								
Weight (kg)		11.7	11.9	11.9	12.2	12.5	13	13.5	14	14.5

\*Rated speed and rated torque:output value of speed and torque under rated flow and rated pressure.

\*Continuous pressure:Max. value of operating motor continuously.

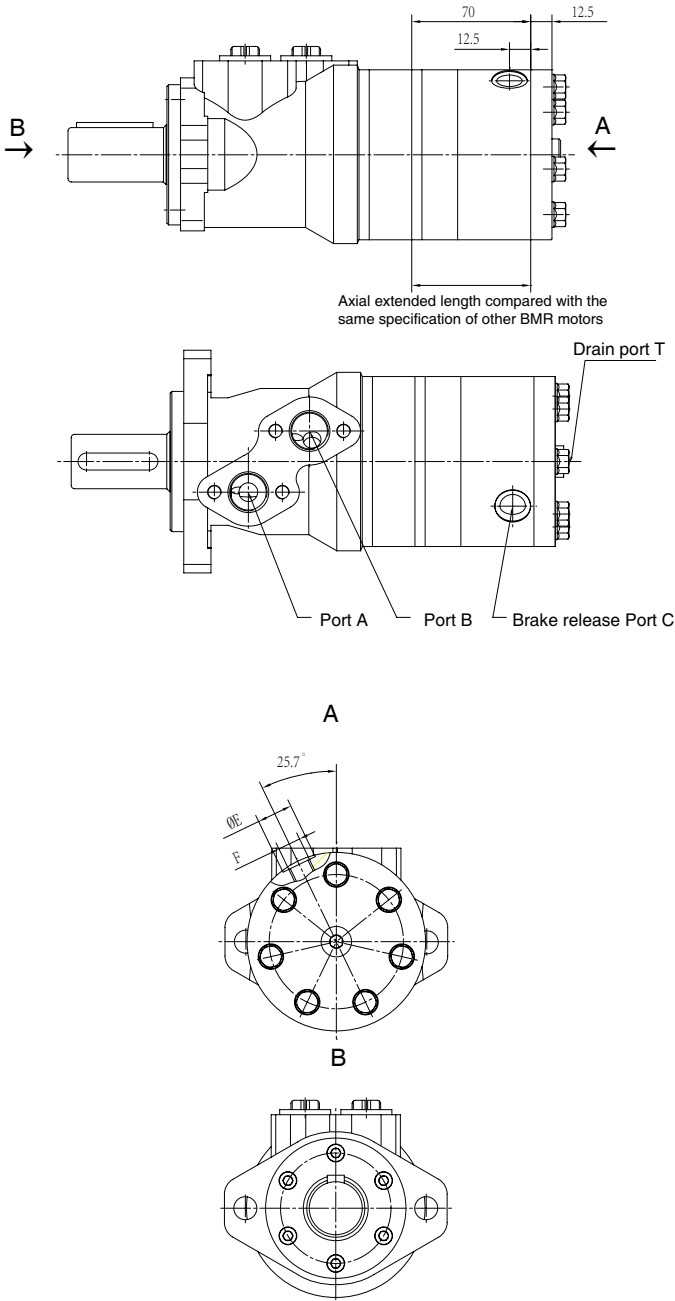
\*Intermittent pressure:Max. value of operating motor in 6 seconds per minute .

\*Peak pressure:Max. value of operating motor in 0.6 second per minute.

\*Such kind of brake is only used in static paring brake.Dynamic braking in not recommended.

When the motor integrated with brake is working, the pressure at releasing port must be more than 2.2MPa. In the status of braking, the pressure at releasing port must be less than 1.7 MPa, optimally 0 MPa. It is attention in use that the back pressure of the oil circuit is the best 0 MPa.

## BMR-BK01 DIMENSIONS AND MOUNTING DATA



Model	Port C	ΦE	F
	G	22	G1/4 Depth 9

Note: The mount data is completely referred to BMR series motor. The axial extended length reduces 70mm as picture. Port C is brake releasing port, the position is as picture.

## Order information

BMR-BK01 1 2 3 4 5 6 7 8 9

Pos.1	2	3	4	5	6	7	8	9
Code	Disp.	Flange	Output Shaft	Ports and Drain Port	Brake release Port	Rotation Direction	Paint	Unusually Function
50	2	2-Ø13.5Rhomb-flange, pilot	A Shaft Ø25,parallel Key 8x7x32	G1/2 Manifold Mount 4xM8, G1/4 M22x1.5 Manifold Mount 4xM8, M14x1.5 7/8-14 O-ring manifold 4x5/16-18UNC, 7/16-20UNF 1/2-14 NPTF Manifold 4x5/16-18UNC, 7/16-20UNF PT(Rc)1/2 Manifold 4xM8, PT(Rc)1/4	G	Omit Standard Opposite R	00 No paint Blue Black Silver grey	Standard Big radial force No case drain
80	4	Ø82.5x8	C Shaft Ø25.4,parallel Key 6.35x6.35x31.75					
100		4-Ø13.5Rhomb-flange, pilot	E Shaft Ø25.4,spined tooth SAE 6B					
125		Ø82.5x8	R Short shaft Ø25.4,parallel Key 6.35x6.35x31.75					
160		4-3/8-16Square-flange, pilot	B Shaft Ø32,parallel Key 10x8x45					
200	H4	Ø44.4x2.8	F Shaft Ø31.75,spined tooth 14-DP12/24					
250	H5	4-M10Square-flange, pilot	FD Long shaft Ø31.75,spined tooth 14-DP12/24					
315		Ø44.4x2.8	G Shaft Ø31.75,parallel Key 7.96x7.96x31.75					
375			T Cone-Shaft Ø28.56,parallel Key B5x5x14					

Note:When the table is used , please fill the code of right rows in the table and give us , which the code information is consists of construction , displacement , mounting flange ,output shaft and ports . If the specification is not in the table or you have specific requirements , please contact us .