

Blince hydraulic vane pump





◎加工中心 CNC machining center



◎自动测试台 Automatic testing bench



◎定子磨 Stator grinding machine



◎数控机床 NC machines

PV2R系列高压低噪音叶片泵 PV2R Series high pressure vane pumps with lower noise

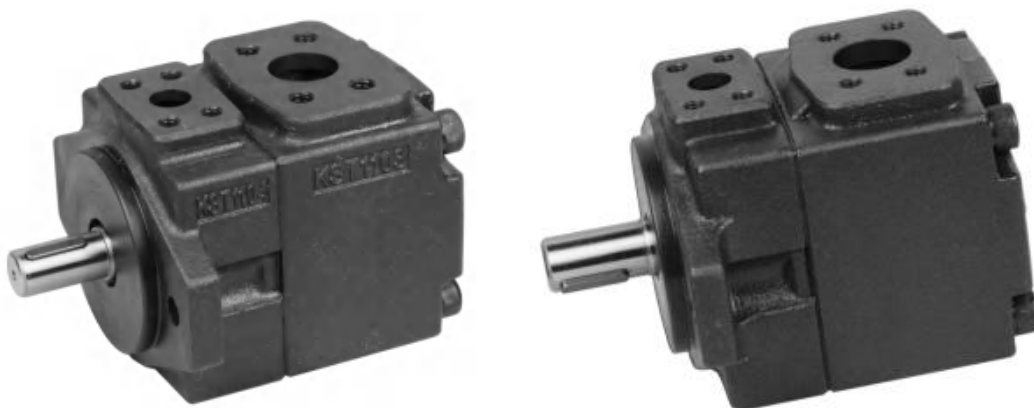
产品简介

PV2R系列高压低噪音叶片泵是本公司开发的新型产品，该泵是近年在综合国内外同类产品优点基础上研发的全国产系列产品，具有结构合理、性能先进、效率高、噪声低、脉动小、可靠性好等特点。该泵规格齐全，安装连接尺寸符合国家标准和国际标准外，还有多个派生系列安装连接尺寸，可满足国内外同类产品替代要求，极大方便用户，广泛应用于机床、塑料机械、锻压机械、工程机械、交通运输机械等领域。

Products introduction

PV2R series high pressure vane pumps with lower noise are the new developed products with the integration of the advantages of similar products at home and abroad in recent years, with the features of rational structure, high performance, high efficiency, lower noise, small pulsation, strong reliability, etc. The pumps provide extreme convenience for users and meet the substitution requirements for similar products with full specifications, national and international standard mounting dimensions, as well as derivative series mounting dimensions, making the pumps widely applied in the fields of machine tool industry, plastic machinery, forging machinery, engineering machinery, transportation machinery, etc.

单泵 Single Pumps



型号说明 Model Descriptions

PV2R1	1	-*	-F	-1	-R	-A	-A
叶片泵 产品代号 Vane pumps' codes	子系列号 Model of subsidiary series	公称排量 ml/r Nominal displacement	安装型式 Mounting type	轴伸形式 Shaft extension	旋转方向 Direction of rotation	排出口位置 Outlet position	吸入口位置 Inlet position
PV2R 1		6,8,10,12,14,17, 19,23,25,28,31	F: 法兰安装型 F: Flange mounting	1: 大轴标准 1: Major shaft standard 2: 小轴 2: Minor shaft	(从轴端看) R:顺时针方向 (右旋标准) (from shaft end) R: Clockwise direction (Right rotation standard)	(从轴端看) A:上方(标准) R、B、L (排出口A设定为上方)	(从轴端看) A:上方(标准) B:下方 R:右方 L:左方
PV2R 2		26,33,41,47, 53,59,65,75			(从轴端看) L:逆时针方向 (左旋) L:Counterclockwise direction (Left rotation)	(from shaft end) A: Upper(Standard) R、B、L (Outlet port A is set as upper.)	(from shaft end) A: Upper(Standard) B: Bottom R: Right L: Left
PV2R 3		52,60,66,76,85,94 116,125,136,153					

PV2R系列叶片泵

PV2R series vane pumps



PV2R系列高压低噪音叶片泵 PV2R Series high pressure vane pumps with lower noise

技术参数 Technical parameters

产品 型号 Model	理论排量 Theoretical displacement (mL/r)	最高使用压力 Max pressure					允许转速 Allowed driving speed (r/min)		质量 Weight (kg)
		石油系工作油 Working oil of Petroleum series			水基合成液 Water-based synthetic hydraulic fluid		最高 Max	最低 Mini	
		高压用特定油 Particular pressure oil	抗磨液压油 Anti-wear oil	普通液压油 Common oil	耐磨性水乙二醇 Anti-wear water -glyco	磷酸酯脂肪酸酯 Sul phosuccinic ester fatty of acid			
PV2R1-6	6.1								
PV2R1-8	8.1								
PV2R1-10	10.2								
PV2R1-12	12.3								
PV2R1-14	14.0								
PV2R1-17	16.3	21	17.5	16	16	16	1800 (1200)	750	8
PV2R1-19	18.3								
PV2R1-23	22.5								
PV2R1-25	25.1								
PV2R1-28	27.6								
PV2R1-31	30.6								
PV2R2-26	25.4								
PV2R2-33	32.2								
PV2R2-41	40.5								
Pv2R2-47	46.2	21	17.5	14	16	14	1800 (1200)	600	16
PV2R2-53	52.3								
PV2R2-59	58.2								
PV2R2-65	64.1								
PV2R2-75*	74.5								
PV2R3-52	51.5								
PV2R3-60	62.9								
PV2R3-66	67.0								
PV2R3-76	79.2	21	17.5				1800 (1200)	600	32
PV2R3-85	84.5				16				
PV2R3-94	93.8			14		14			
PV2R3-116	113.2								
PV2R3-125	122.8								
PV2R3-136	135.8	17.5	16				1200		
PV2R3-153	152.8				14				#34

注:

- 1、公称排量“6”、“8”泵，超过16Mpa使用时，转速不低于1450r/min。
- 2、使用水基、合成液压力时，最高转速限制在1200r/min。
- 3、对于严格要求低噪声的场合，建议工作转速在1000r/min，最高工作压力在12~14MPa。
- 4、有*处为PV2R2-W组拓展规格，有#处为PV2R3-W组2个拓展规格，泵体加长10mm，安装尺寸相同，接受特殊订货。
- 5、驱动功率近似计算：泵的排量（mL/r）×电机转速（r/min）×工作压力（MPa）/49000。计算结果单位为KW。

Notes:

1. The rotation speed shall not be less than 1450r/min for the pumps with the nominal displacement of 6 ml/r or 8 ml/r working under the pressure exceeding 16Mpa.
2. The highest rotation speed shall be limited within 1200r/min, while applying with water-based synthetic hydraulic fluids.
3. It is recommended to work with rotation speed of 1000r/min and maximum pressure of 12-14Mpa on the occasion where lower noise is strictly required.
4. Those pumps with the marks * belong to the extension specification of PV2R2-W group. Those pumps with the marks # belong to the extension specification of PV2R3-W group. These two groups pump casing are 10mm longer than usual specification for special order.
5. The approximate calculation formula for driving power is as follows: the displacement of pump(mL/r) × the rotation speed of motor(r/min) × the working pressure (Mpa) / 49000. The unit for the final calculation result is KW.

PV2R系列叶片泵

PV2R series vane pumps

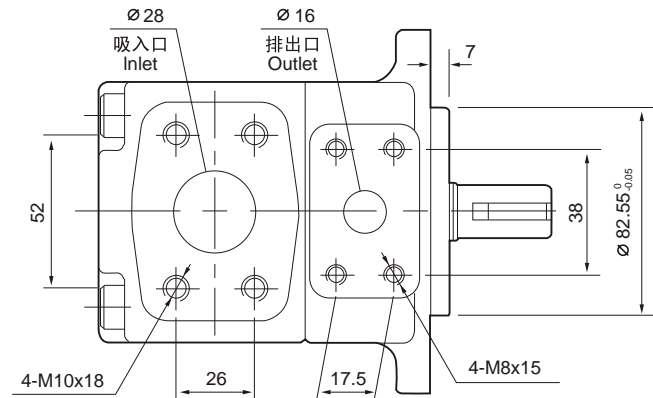
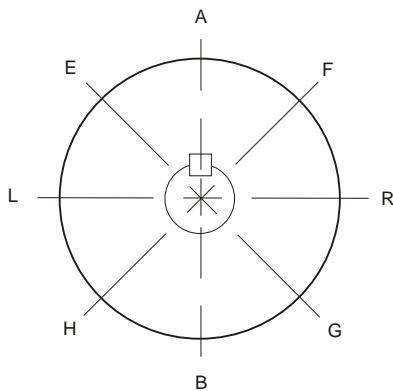
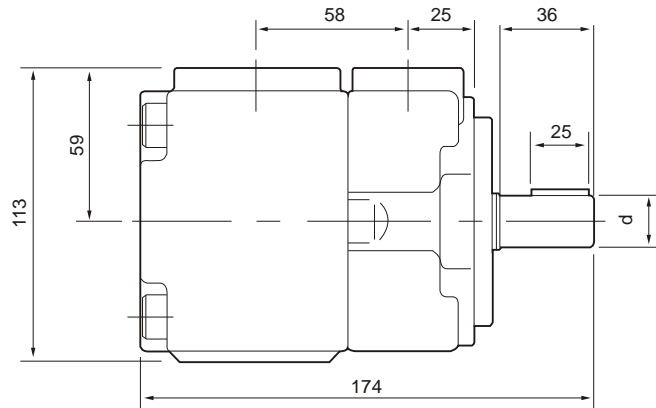
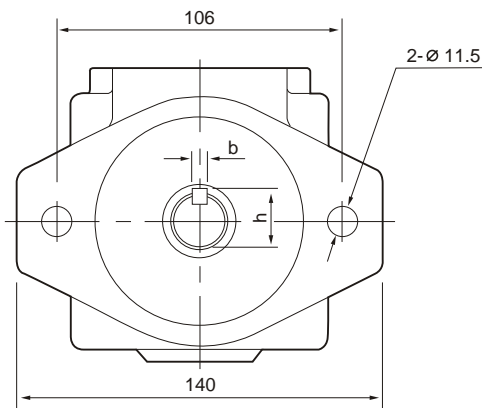


PV2R系列高压低噪音叶片泵 PV2R Series high pressure vane pumps with lower noise

外型及安装连接尺寸

Shape and installation dimensions

法兰安装型: PV2R1-* -F-1-RAA
 Flange mounting: PV2R1-* -F-1-RAA



轴伸形式 Shaft extension	d	b	h	备注 Remarks
1	$\varnothing 19.05^{0}_{-0.03}$	$4.75^{+0.03}_{0}$	$21.24^{0}_{-0.16}$	大轴 Major shaft
2	$\varnothing 15.88^{0}_{-0.03}$	$3.97^{+0.03}_{0}$	$17.68^{0}_{-0.16}$	小轴 Minor shaft

PV2R系列叶片泵

PV2R series vane pumps



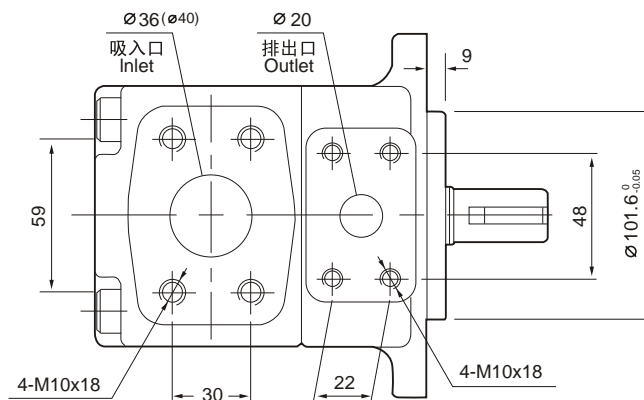
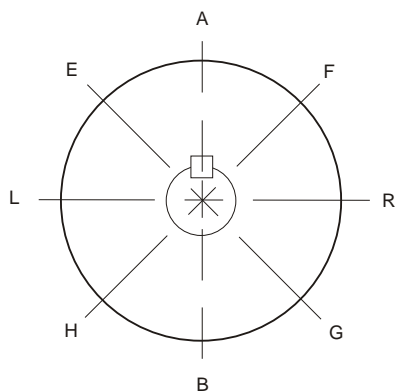
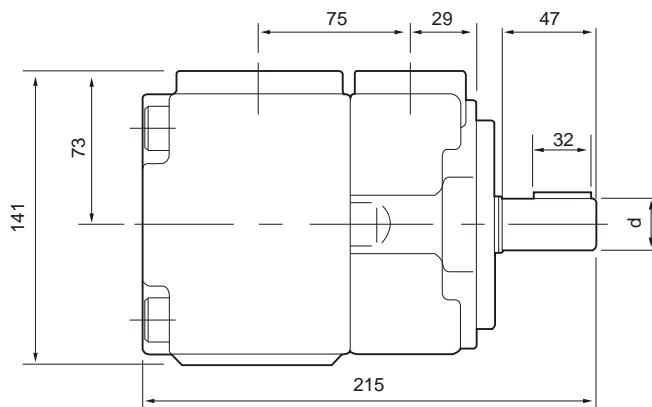
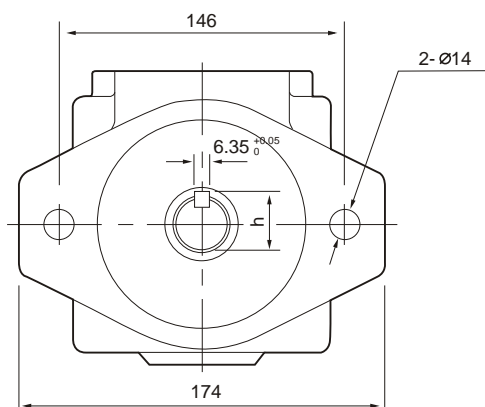
PV2R系列高压低噪音叶片泵 PV2R Series high pressure vane pumps with lower noise

外型及安装连接尺寸

Shape and installation dimensions

法兰安装型: PV2R2- * -F-1-RAA

Flange mounting: PV2R2- * -F-1-RAA



轴伸形式 Shaft extension	d	h	备注 Remarks
1	$\varnothing 25.4_{-0.05}^0$	$28.18_{-0.18}^0$	大轴 Major shaft
2	$\varnothing 22.23_{-0.03}^0$	$25.01_{-0.18}^0$	小轴 Minor shaft

PV2R系列高压低噪音叶片泵 PV2R Series high pressure vane pumps with lower noise

外型及安装连接尺寸
Shape and installation dimensions

法兰安装型: PV2R3- *-F-1-RAA
Flange mounting: PV2R3- *-F-1-RAA

