

Blince hydraulic vane pump





◎加工中心 CNC machining center



◎自动测试台 Automatic testing bench



◎定子磨 Stator grinding machine



◎数控机床 NC machines

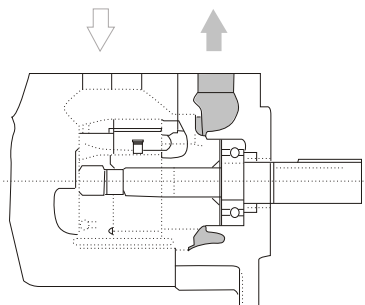
SQP系列叶片泵

SQP series vane pumps

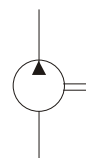


SQP系列单泵 SQP series single pumps

产品外观 Shape



功能符号
Functional sign



本系列是专为低噪音工况而开发的高压高性能子母叶片泵。适用于塑料机械，压铸机械，机床以及工程机械等要求噪音较低的液压系统中。其主要特点：

- 1、泵芯使用V系列子母叶片泵泵芯，完全互换，使用更灵活方便。
- 2、增加了脉动衰减结构的设计，极大降低了压力的脉动，使噪音更低，音质更流畅。
- 3、使用加厚的外壳设计，增加了泵的强度和抗震性，同时消音性能更优越。

SQP series single pumps are composition vane pumps with high pressure resistance and high performance, especially developed for application in the industries of plastic machinery, forging machinery, machine tool industry and engineering machinery, where lower noise is required. The main features are as follows:

1. Adopt V series composition vane pump core, making the application flexible by its complete interchangeable advantage.
2. Adopt the structure of pulsation attenuation, dramatically reducing the pulsation of pressure with lower noise.
3. Adopt the designing with thick pump casing, making the pump with stronger strength, stronger vibration resistance and better performance of silencing.

型号说明 Model descriptions

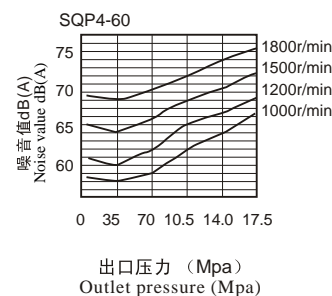
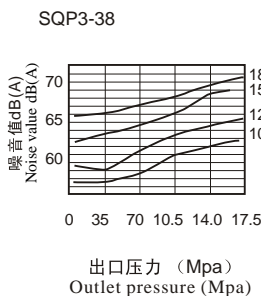
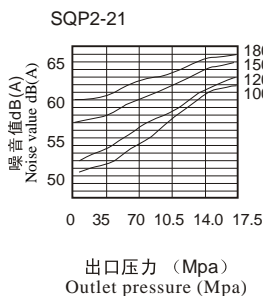
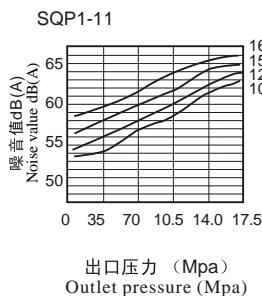
(F3-)	SQP2	-21	-86	C	(F)	(LH)	-18
前注、油液相容性 Front marks, compatibility between hydraulic oil and fluid	泵壳号 Pump shell No	▲排量代号 Displacement codes	轴伸形式 Shaft extension	出口口位置 Outlet port position	安装型式 Mounting type	旋转方向 Direction of rotation	设计号 Designing No.
无标记-使用抗磨液压油或磷酸酯液 No marks- use anti-wear hydraulic oil or F11-使用水乙二醇液 F11- use water- glycol fluid F3- 使用油包水乳化液 F3- use water-in-oil emulsion	SQP1	2,3,4,5,6,7,8,9 10,11,12,14	1带键直轴 1 straight shaft with key	(从泵的盖端看) (from cover end pump) A-进口油对侧 A- Opposition of inlet B-从进口油逆时针90° B- counterclockwise 90° from inlet C-进口油同侧 C- the same side of inlet D-从进口油顺时针90° D- Clockwise 90° from inlet	无标记法 兰安装 No mark Flange mounting F: 脚座安装型 foot mounting	(从泵的盖端看) (from cover end pump) LH-逆时针旋转 LH- counterclockwise rotation 无标记 No mark 顺时针旋转 Clockwise rotation	15
	SQP2	10,11,12,14,15,17, 19,21	86-重型带 键直轴 86- heavy-duty straight shaft with key				18
	SQP3	21,25,30,32,35, 38,45					
	SQP4	42,45,50,57,60 66,75					

▲在1200r/min和0.69MPa（100psi）下的额定排量USgpm.

The rated displacement USgpm is under the conditions of 1200r/min and 0.69Mpa(100psi).

噪音数据 测试条件ISO VG32、(50°C)，距离1m

Noise data testing conditions ISO VG32,(50°C), distance of 1m



SQP系列叶片泵

SQP series vane pumps



工作参数 Operating parameters

泵壳号 Pump shell No	●排量代号 Displacement code	几何排量 Geometric displacement (mL/r)	SQP		F11-SQP		F3-SQP		最低转速 Mini speed (r/min)			
			使用抗磨液压油或磷酸酯液 Anti-wear hydraulic oil or phospholipid		使用水乙二醇液 Water glycol fluid		使用油包水乳化液 Water-in-oil emulsion					
			最高压力 Max pressure (Mpa)	最高转速 Max speed (r/min)	最高压力 Max pressure (Mpa)	最高转速 Max speed (r/min)	最高压力 Max pressure (Mpa)	最高转速 Max speed (r/min)				
SQP1	2	7.5	13.8	1800	13.8	1200	13.8	1200	600			
	3	10.2										
	4	12.8										
	5	16.7	17.2		15.7					1200	13.8	1200
	6	19.2										
	7	22.9										
	8	26.2										
	9	28.8										
	10	31.0										
	11	35.0										
	12	37.9	15.7		15.7					1200	13.8	1200
14	44.2	13.8										
SQP2	10	32.5	17.2	1800	17.2	1200	13.8	1200	600			
	12	38.3										
	14	43.3										
	15	46.7										
	17	52.5										
	19	59.2										
21	65.0											
SQP3	21	66.7	17.2	1800	17.2	1200	13.8	1200	600			
	25	79.2										
	30	95.0										
	32	100										
	35	109										
	38	118										
45	140											
SQP4	42	134	17.2	1800	17.2	1200	13.8	1200	600			
	45	140										
	50	156										
	57	178										
	60	189										
	66	207										
75	237											

●在1200r/min和0.69MPa(100psi)下的额定排量USgpm。▲0.5秒内，允许超过最高压力10%的瞬时压力。

The rated displacement USgpm is under the conditions of 1200r/min and 0.69Mpa(100psi).

The instantaneous pressure is allowed to exceed 10% of the Max pressure for within 0.5 seconds long.

工作参数 Operating parameters

特定转速下的典型流量，测试条件：50°C，空载，26cSt下的10W液压油

Typical flow at certain rotationspeed under the testing conditions of 50°C, no load, 10W type hydraulic oil with viscosity of 26cst

泵壳号 Pump shell No	转速 Driving speed r/min	输出流量L/min Output flow L/min				输入功率KW Input power KW			
		0.69MPa	6.9MPa	13.8MPa	17.2MPa	0.69MPa	6.9MPa	13.8MPa	17.2MPa
SQP1-2	1000	7.5	6.0	4.5		0.2	1.2	2.1	
	1200	9.5	8.5	6.5		0.3	1.5	2.5	
	1500	11.2	9.3	7.5		0.3	1.8	3.2	
	1800	13.5	11.2	9.0		0.4	2.2	3.8	
SQP1-3	1000	10.2	8.8	7.4		0.3	1.5	3.1	
	1200	12.5	11.0	9.5		0.4	1.8	3.7	
	1500	15.3	13.7	12.1		0.5	2.3	4.7	
	1800	18.4	16.9	15.3		0.5	2.7	5.6	
SQP1-4	1000	12.8	12.3	10.8	10.0	0.4	1.8	3.7	4.5
	1200	16.0	15.0	13.5	13.0	0.5	2.2	4.4	5.5
	1500	19.2	17.7	16.2	15.7	0.6	2.7	5.6	6.9
	1800	23.1	21.3	19.5	19.0	0.7	3.2	6.7	8.3
SQP1-5	1000	16.7	15.7	14.7	14.2	0.4	2.8	4.8	6.0
	1200	20.0	19.0	18.0	17.5	0.5	3.2	5.8	7.2
	1500	25.0	24.0	23.0	22.5	0.6	3.9	7.3	9.0
	1800	30.0	29.0	28.0	27.5	0.6	4.2	8.6	10.7
SQP1-6	1000	19.2	18.2	17.0	16.2	0.4	3.0	5.5	6.6
	1200	23.0	22.0	20.5	20.0	0.5	3.5	6.5	7.9
	1500	28.5	27.5	26.0	25.0	0.6	4.3	8.1	9.8
	1800	34.5	33.5	32.0	31.0	0.7	5.2	9.7	11.8
SQP1-7	1000	22.9	21.4	19.9	18.9	0.5	3.4	6.2	7.6
	1200	27.5	26.0	24.5	23.5	0.6	4.0	7.4	9.1
	1500	34.4	32.9	31.4	30.4	0.7	5.0	9.2	11.3
	1800	41.3	39.8	38.3	37.3	0.8	5.9	11.0	13.6
SQP1-8	1000	26.2	24.2	22.7	21.2	0.5	3.9	6.7	8.3
	1200	31.5	29.5	28.0	26.5	0.6	4.5	8.0	10.0
	1500	39.4	37.4	35.9	34.4	0.8	5.5	10.0	12.5
	1800	47.2	45.2	43.7	42.2	0.8	6.6	11.8	14.8
SQP1-9	1000	28.8	26.8	25.3	23.8	0.5	4.2	7.0	8.6
	1200	34.5	32.5	31.5	30.0	0.6	5.0	8.5	10.5
	1500	43.2	41.2	39.7	38.2	0.8	5.9	10.4	12.9
	1800	51.8	49.8	48.3	46.8	0.9	7.1	12.3	15.3
SQP1-10	1000	31	29	26.5	25.5	0.6	4.8	9.1	11.3
	1200	37.2	35.2	32.7	31.7	0.8	5.7	11.0	13.7
	1500	46.5	44.5	42.0	41.0	0.9	6.8	13.7	17
	1800	55.8	53.6	51.5	50.1	1.0	8.3	16.2	20.3
SQP1-11	1000	35.0	33.0	30.5	29.5	0.7	4.9	9.2	11.4
	1200	42.0	40.0	37.5	36.5	0.8	5.7	11.0	13.7
	1500	52.5	50.5	48.0	47.0	1.0	6.9	13.8	17.1
	1800	63.2	61.0	58.5	57.5	1.0	8.3	16.2	20.3
SQP1-12	1000	37.9	36.4	34.4		0.7	5.6	10.4	
	1200	45.5	44.0	42.0		0.9	6.5	12.5	
	1500	56.9	55.4	53.4		1.1	7.9	15.6	
	1800	68.2	66.7	64.7		1.1	9.4	18.4	
SQP1-14	1000	44.2	42.7	40.7		1.0	6.6	12.2	
	1200	53.0	51.5	49.5		1.1	7.8	14.6	
	1500	66.0	64.0	62.0		1.3	9.6	18.2	
	1800	79.5	77.5	75.5		1.4	11.5	21.7	

SQP系列叶片泵

SQP series vane pumps



工作参数 Operating parameters

特定转速下的典型流量，测试条件：50°C，空载，26cSt下的10W液压油

Typical flow at certain rotation speed under the testing conditions of 50°C, no load, 10W type hydraulic oil with viscosity of 26cst

泵壳号 Pump shell No	转速 Driving speed r/min	输出流量L/min Output flow L/min				输入功率KW Input power KW			
		0.69MPa	6.9MPa	13.8MPa	17.2MPa	0.69MPa	6.9MPa	13.8MPa	17.2MPa
SQP2-10	1000	32.5	29.5	26.0	24.5	0.9	4.9	9.3	11.3
	1200	39.0	36.0	32.5	31.0	1.0	5.8	11.1	13.5
	1500	48.8	45.8	42.3	40.8	1.2	7.2	13.8	16.8
	1800	58.5	55.5	52.0	50.5	1.3	8.5	16.5	20.1
SQP2-12	1000	38.3	35.9	33.3	31.8	1.0	5.7	10.9	13.4
	1200	46.0	43.6	41.0	39.5	1.1	6.5	13.0	16.0
	1500	57.5	55.1	52.5	51.0	1.3	8.3	16.1	19.9
	1800	69.0	66.6	64.0	62.5	1.4	9.8	19.3	23.8
SQP2-14	1000	43.3	40.2	36.8	35.8	1.2	6.4	12.2	15.1
	1200	52.0	48.5	45.5	44.5	1.3	7.5	14.5	18.0
	1500	65.0	61.9	58.5	57.5	1.5	9.4	18.0	22.4
	1800	78.0	74.9	71.5	70.5	1.7	11.1	21.5	26.7
SQP2-15	1000	46.7	43.7	40.7	39.2	1.2	6.8	13.0	15.9
	1200	56.0	53.0	50.0	48.5	1.3	8.0	15.5	19.0
	1500	70.0	67.0	64.0	62.5	1.5	9.9	19.3	23.6
	1800	84.0	81.0	78.0	76.5	1.7	11.8	23.0	28.3
SQP2-17	1000	52.5	49.7	46.5	44.5	1.4	7.4	14.3	17.6
	1200	63.0	60.6	57.0	55.0	1.5	9.0	17.0	21.0
	1500	78.8	76.0	72.8	70.8	1.7	10.8	21.1	26.1
	1800	94.5	91.7	88.5	86.5	1.9	12.9	25.1	31.2
SQP2-19	1000	59.2	56.2	53.2	50.2	1.5	8.5	16.0	20.1
	1200	71.0	68.0	65.0	62.0	1.7	10.0	19.0	24.0
	1500	88.7	85.7	82.7	79.7	1.9	12.3	24.1	29.8
	1800	106.5	103.7	100.7	97.7	2.2	14.7	28.2	35.7
SQP2-21	1000	65.0	62.2	59.0	57.0	1.6	9.2	17.6	21.8
	1200	78.0	75.0	72.0	70.0	1.8	11.0	21.0	26.0
	1500	97.5	94.7	91.5	89.5	2.1	13.4	26.1	32.3
	1800	117	114	111	109	2.3	16.0	31.1	38.6



工作参数 Operating parameters

特定转速下的典型流量，测试条件：50°C，空载，26cSt下的10W液压油

Typical flow at certain rotationspeed under the testing conditions of 50°C, no load, 10W type hydraulicoil with viscosity of 26cst

泵壳号 Pump shell No	转速r/min Driving speed r/min	输出流量L/min Output flow L/min				输入功率KW Input power KW			
		0.69MPa	6.9MPa	13.8MPa	17.2MPa	0.69MPa	6.9MPa	13.8MPa	17.2MPa
SQP3-21	1000	66.7	60.7	54.7	51.7	1.6	8.9	16.8	20.6
	1200	80.0	74.0	68.0	65.0	1.8	10.5	20.0	24.5
	1500	100	94.0	88.0	85.0	2.0	12.9	24.8	30.4
	1800	120	114	108.0	105.0	2.3	15.4	30.5	36.4
SQP3-25	1000	79.2	73.5	67.2	54.2	1.8	10.7	20.5	25.1
	1200	95.0	89.0	83.0	80.0	2.0	12.5	24.5	30.0
	1500	119	113	107.0	104.0	2.3	15.7	30.4	37.3
	1800	142	136	130.0	127.0	2.6	18.7	36.4	44.6
SQP3-30	1000	95.0	86.4	81.0	78.0	1.8	12.6	24.7	30.5
	1200	114	107	100	97.0	2.0	15.0	29.5	36.5
	1500	142	136	128	125	2.4	18.6	36.7	45.5
	1800	171	164	157	154	2.7	22.2	44.0	54.5
SQP3-32	1000	100	92.0	85.0	82.0	2.1	13.5	26.0	32.2
	1200	120	112	105	102	2.3	16.0	31.0	38.5
	1500	150	142	135	132	2.7	19.8	38.6	47.9
	1800	180	172	165	162	3.1	23.6	46.1	57.4
SQP3-35	1000	109	103	95.2	92.2	2.2	14.2	27.6	34.3
	1200	131	124	117	114	2.5	17.0	33.0	41.0
	1500	164	157	150	147	2.9	20.9	41.0	51.0
	1800	196	189	182	179	3.3	24.9	50.4	61.1
SQP3-38	1000	118	111	102	99.3	2.7	15.5	29.8	36.9
	1200	142	134	126	123	3.0	18.5	35.5	44.0
	1500	177	170	161	158	3.4	22.7	44.0	54.7
	1800	213	205	197	194	3.9	27.0	52.6	65.4
SQP3-45	1000	140	131	121	116	2.9	17.9	35.4	43.7
	1200	168	159	149	144	3.2	21.2	42.2	52.2
	1500	210	201	190	185	3.7	26.2	53.5	64.9
	1800	252	243	233	228	4.2	31.2	62.7	77.7
SQP4-42	1000	134	125	115	110	2.7	17.7	35.2	43.5
	1200	161	152	142	137	3.0	21.0	42.0	52.0
	1500	201	192	182	177	3.5	26.0	52.3	64.7
	1800	241	232	222	217	4.0	31.0	62.5	77.5
SQP4-45	1000	140	131	121	116	2.9	17.9	35.4	43.7
	1200	168	159	149	144	3.2	21.2	42.2	52.2
	1500	210	201	190	185	3.7	26.2	53.5	64.9
	1800	252	243	233	228	4.2	31.2	62.7	77.7
SQP4-50	1000	156	147	137	132	3.1	20.2	39.4	49.3
	1200	187	178	168	163	3.5	24.0	47.0	59.0
	1500	234	225	215	210	4.0	29.7	58.5	73.4
	1800	280	271	261	256	4.7	35.4	69.9	87.9
SQP4-57	1000	178	168	157	151	3.8	22.9	45.1	53.7
	1200	213	203	192	186	4.3	27.3	55.2	65.8
	1500	269	259	248	242	5.0	36.6	66.3	82.5
	1800	320	310	299	292	5.7	43.3	75.5	97.3
SQP4-60	1000	189	178	166	160	4.0	24.4	46.9	58.6
	1200	227	216	204	198	4.5	29.0	56.0	70.0
	1500	284	273	261	255	5.2	35.8	69.6	87.1
	1800	340	329	317	311	5.9	42.7	83.2	104
SQP4-66	1000	207	195	182	174	4.4	26.7	51.4	62.9
	1200	248	236	223	215	4.9	31.6	61.2	76.0
	1500	310	298	285	277	5.6	39.0	76.0	94.6
	1800	372	360	347	339	6.4	46.7	91.0	113.3
SQP4-75	1000	237	223	208	200	5.0	30.5	58.7	73.2
	1200	284	269	255	247	5.6	36.1	70.0	87.3
	1500	355	340	326	318	6.5	44.5	86.9	108.0
	1800	426	411	397	389	7.3	53.5	104.1	130.0

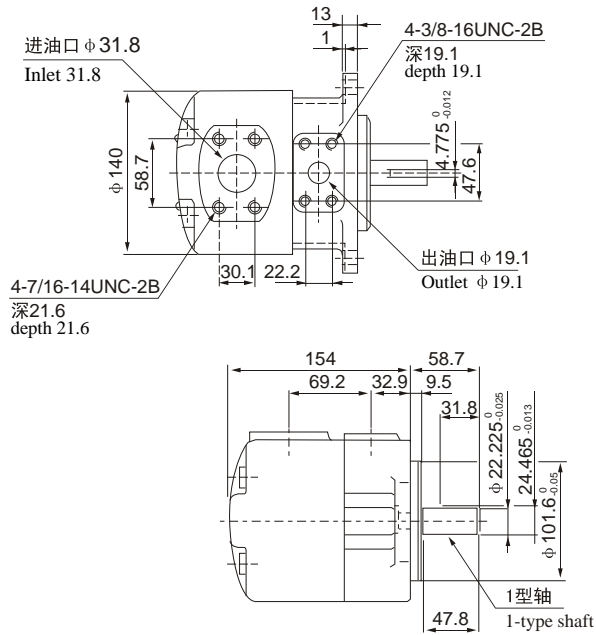
SQP系列叶片泵

SQP series vane pumps



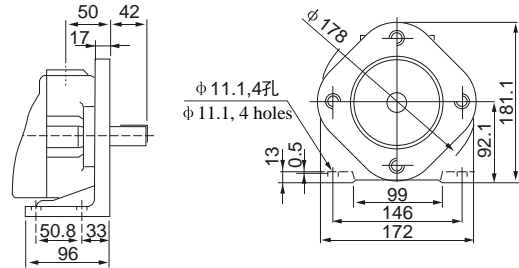
安装连接尺寸 Installation sizes

SQP1法兰安装型 SQP1 Flange mounting

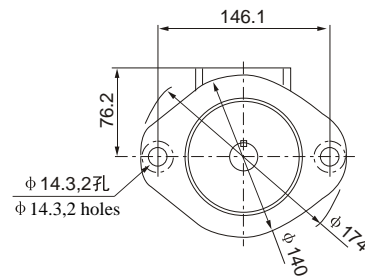


其它轴伸尺寸请参见53页
Please refer to shaft extension sizes in page 53 for rest sizes

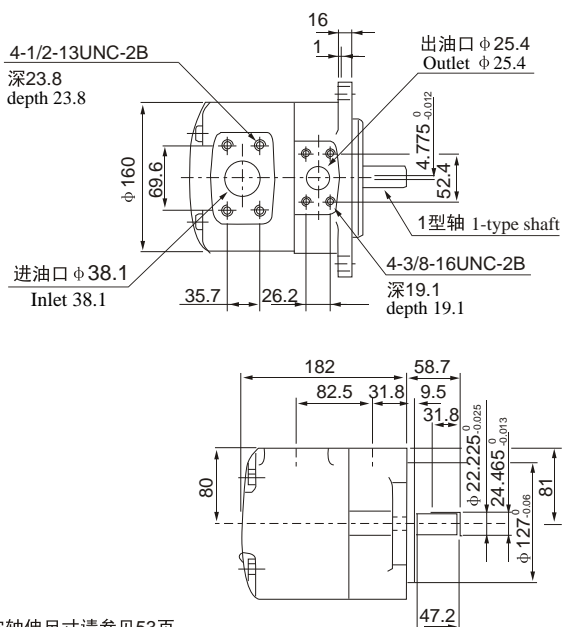
SQP1脚座安装型 SQP1 foot mounting



其余尺寸请参照法兰安装型
Please refer to Flange mounting for rest sizes

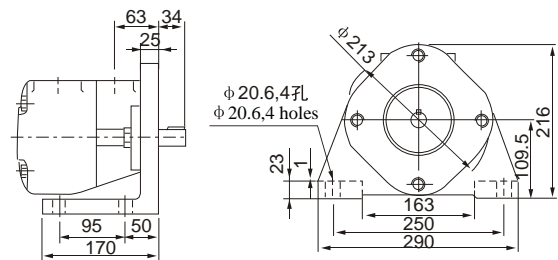


SQP2法兰安装型 SQP2 Flange mounting

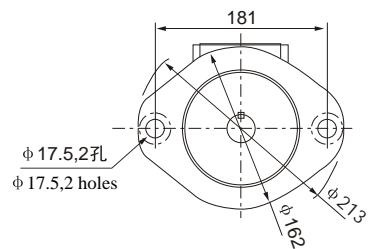


其它轴伸尺寸请参见53页
Please refer to shaft extension sizes in page 53 for rest sizes

SQP2脚座安装型 SQP2 foot mounting

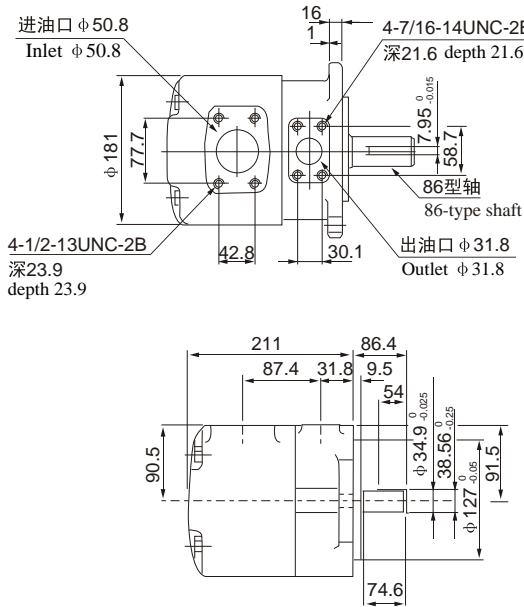


其余尺寸请参照法兰安装型
Please refer to Flange mounting for rest sizes



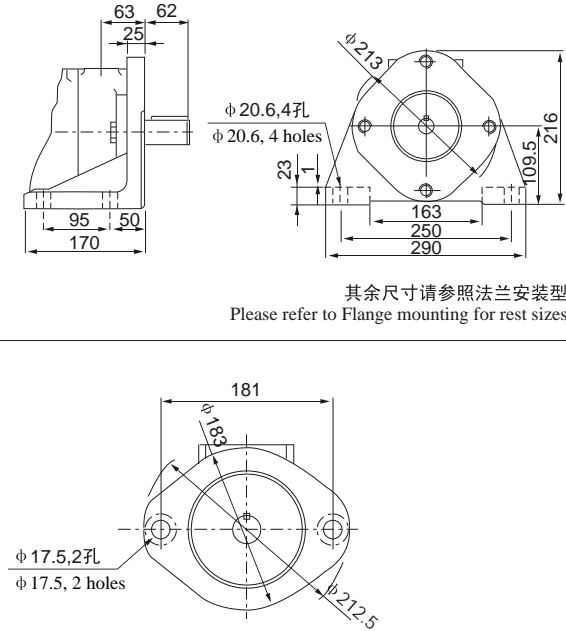
安装连接尺寸 Installation sizes

SQP3法兰安装型 SQP3 Flange mounting

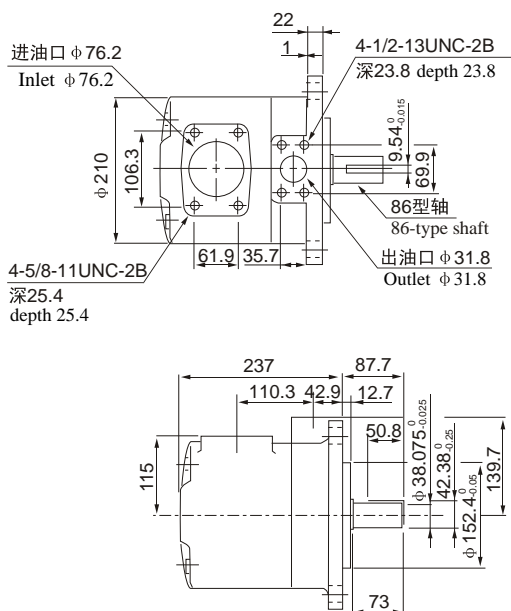


其它轴伸尺寸请参见53页
Please refer to shaft extension sizes in page 53 for rest sizes

SQP3脚座安装型 SQP3 foot mounting

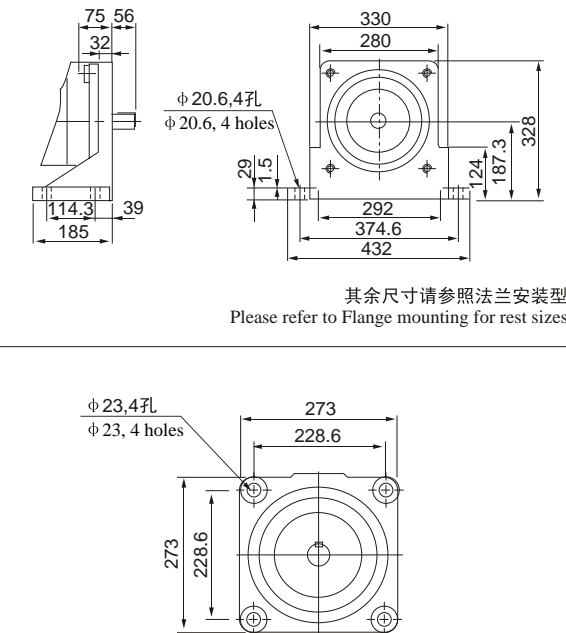


SQP4 法兰安装型 SQP4 Flange mounting



其它轴伸尺寸请参见53页
Please refer to shaft extension sizes in page 53 for rest sizes

SQP4 脚座安装型 SQP4 foot mounting

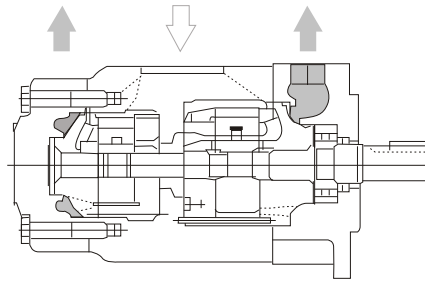


SQP系列叶片泵

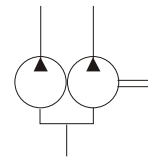
SQP series vane pumps

SQP系列双联泵 SQP series double vane pumps

产品外观 Shape



功能符号
Functional signs



型号说明 Model descriptions:

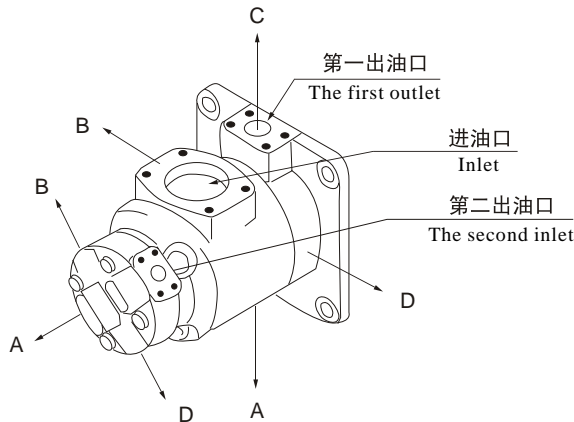
(F3)	SQP32	35	17	86	CD	(F)	-(LH)	18
前注 Front marks	系列号 Code of series	▲排量代号轴端泵 Displacement code Shaft end pump	▲排量代号盖端泵 Displacement code cover end pump	轴伸形式 Shaft extension	油口位置 Pump position	安装型式 Mounting type	旋转方向 Direction of rotation	设计号 Designing No.
无标记- 使用抗磨液压油或磷酸酯液 No mark-anti-wear hydraulic oil or Sulphosuccinic ester fluid F11- 使用水乙二醇液 F1-adopt water-glycol F3- 使用油包水乳化液 F3- water-in-oil emulsion	SQP21 SQP31 SQP32 SQP41 SQP42 SQP43	10,12,14,15,17,19,21 21,25,30,32,35,38,45 21,25,30,32,35,38,45 42,45,50,57,60,66,75 42,45,50,57,60,66,75 42,45,50,57,60,66,75	2,3,4,5,6,7,8,9,10,11,12,14 2,3,4,5,6,7,8,9,10,11,12,14 10,12,14,15,17,19,21 2,3,4,5,6,7,8,9,10,11,12,14 10,12,14,15,17,19,21 21,25,30,32,35,38,45	1-带键直轴 1- straight shaft with key 86-重型带键直轴 86-heavy-duty straight shaft with key	见下表 See as the following table	无标记- 法兰安装型 No marks- Flange mounting F- 脚座安装型 foot mounting	(从泵的轴端看) (from shaft end pump) LH-逆时针旋转 LH-counterclockwise rotation 无标记 逆时针旋转 No marks counterclockwise	18

▲在1200r/min和0.69MPa(100psi)下的额定排量USgpm。

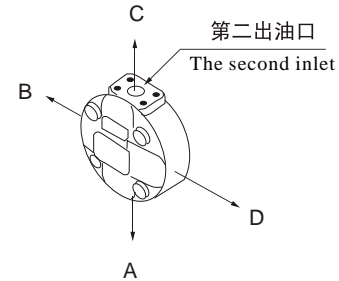
The rated displacement USgpm is under the conditions of 1200r/min and 0.69Mpa(100psi).

油口位置表 (从泵的盖端看) Pump oil port position (viewed from cover end pump)

油口位置 Pump position



SQP43



油口位置 Pump position		所有系列 (除SQP43外) All series (except for SQP43)	SQP43
第一出油口 在进油口对侧 The first outlet is the opposition side of inlet.	AA	第二出油口在进油口逆时针转135° The second outlet is to counterclockwise rotation of 135° from inlet	第二出油口在进油口对侧 The second outlet is the opposition side of inlet.
	AB	第二出油口在进油口逆时针转45° The second outlet is to counterclockwise rotation of 45° from inlet	第二出油口在进油口逆时针转90° The second outlet is to counterclockwise rotation of 90° from inlet
	AC	第二出油口在进油口顺时针转45° The second outlet is to clockwise rotation of 45° from inlet	第二出油口在进油口同侧 The second outlet is the same side of inlet.
	AD	第二出油口在进油口顺时针转135° The second outlet is to clockwise rotation of 135° from inlet	第二出油口在进油口顺时针转90° The second outlet is to clockwise rotation of 90° from inlet
第一出油口 从进油口逆 时针转90° The first outlet is to counterclockwise rotation of 90° from inlet	BA	第二出油口在进油口逆时针转135° The second outlet is to counterclockwise rotation of 135° from inlet	第二出油口在进油口对侧 The second outlet is the opposition side of inlet.
	BB	第二出油口在进油口逆时针转45° The second outlet is to counterclockwise rotation of 45° from inlet	第二出油口在进油口逆时针转90° The second outlet is to counterclockwise rotation of 90° from inlet
	BC	第二出油口在进油口顺时针转45° The second outlet is to clockwise rotation of 45° from inlet	第二出油口在进油口同侧 The second outlet is the same side of inlet.
	BD	第二出油口在进油口顺时针转135° The second outlet is to clockwise rotation of 135° from inlet	第二出油口在进油口顺时针转90° The second outlet is to clockwise rotation of 90° from inlet
第一出油口 在进油口同侧 The first outlet is the same side of inlet.	CA	第二出油口在进油口逆时针转135° The second outlet is to counterclockwise rotation of 135° from inlet	第二出油口在进油口对侧 The second outlet is the opposition side of inlet.
	CB	第二出油口在进油口逆时针转45° The second outlet is to counterclockwise rotation of 45° from inlet	第二出油口在进油口逆时针转90° The second outlet is to counterclockwise rotation of 90° from inlet
	CC	第二出油口在进油口顺时针转45° The second outlet is to clockwise rotation of 45° from inlet	第二出油口在进油口同侧 The second outlet is the same side of inlet.
	CD	第二出油口在进油口顺时针转135° The second outlet is to clockwise rotation of 135° from inlet	第二出油口在进油口顺时针转90° The second outlet is to clockwise rotation of 90° from inlet
第一出油口 从进油口顺 时针转90° The first outlet is to clockwise rotation of 90° from inlet	DA	第二出油口在进油口逆时针转135° The second outlet is to counterclockwise rotation of 135° from inlet	第二出油口在进油口对侧 The second outlet is the opposition side of inlet.
	DB	第二出油口在进油口逆时针转45° The second outlet is to counterclockwise rotation of 45° from inlet	第二出油口在进油口逆时针转90° The second outlet is to counterclockwise rotation of 90° from inlet
	DC	第二出油口在进油口顺时针转45° The second outlet is to clockwise rotation of 45° from inlet	第二出油口在进油口同侧 The second outlet is the same side of inlet.
	DD	第二出油口在进油口顺时针转135° The second outlet is to clockwise rotation of 135° from inlet	第二出油口在进油口顺时针转90° The second outlet is to clockwise rotation of 90° from inlet

SQP系列叶片泵

SQP series vane pumps



主要工作参数 Main operating parameters

泵壳号 Pump shell No	轴端泵（第一出油口） Shaft end pump (the first outlet)			盖端泵（第二出油口） Cover end pump (the first outlet)			最高转速 Max driving speed (r/min)	最低转速 Mini driving speed (r/min)	
	●排量代号 Displacement codes	几何排量 Geometric displacement (ml/r)	最大压力 Max pressure (Mpa)	●排量代号 Displacement codes	几何排量 Geometric displacement (ml/r)	最大压力 Max pressure (Mpa)			
SQP21	10	32.5	▲17.2 F3=16.9 F11=15.7	2	7.5	▲13.8 F3=6.9 F11=13.8	1800 F3=1200 F11=1200	600	
	12	38.3		3	10.2				
	15	43.3		4	12.8	▲17.2 F3=6.9 F11=13.8			
	15	46.7		5	16.7	▲20.7 F3=6.9 F11=15.7			
	17	52.5		6	19.2				
	19	59.2		7	22.9				
21	65.0	8	26.2						
SQP31	21	66.7	▲17.2 F3=16.9 F11=15.7	9	28.8				▲15.7 F3=6.9 F11=13.8
	25	79.2		10	31.0				
	30	95.0		11	35.0				
	32	100		12	37.9	▲13.8 F3=6.9 F11=13.8v			
	35	109		14	44.2	▲17.2 F3=6.9 F11=15.7			
	38	118		15	46.7				
45	140	17	52.5						
SQP41	42	134	▲17.2 F3=16.9 F11=15.7	19	59.2		▲17.2 F3=6.9 F11=15.7		
	45	140		21	65.0				
	50	156		25	79.2				
	57	178		30	95.0				
	60	189		32	100				
	66	207		35	109				
SQP32	75	237	▲17.2 F3=16.9 F11=15.7	38	118	▲17.2 F3=6.9 F11=15.7			
	21	66.7		45	140				
	25	79.2		50	156				
	30	95.0		57	178				
	32	100		60	189				
	35	109		66	207				
SQP42	38	118	▲17.2 F3=16.9 F11=15.7	75	237	▲17.2 F3=6.9 F11=15.7			
	42	134		21	66.7				
	45	140		25	79.2				
	50	156		30	95.0				
	57	178		32	100				
	60	189		35	109				
SQP43	66	207	▲17.2 F3=16.9 F11=15.7	38	118	▲17.2 F3=6.9 F11=15.7			
	75	237		45	140				
	42	134		21	66.7				
	45	140		25	79.2				
	50	156		30	95.0				
	57	178		32	100				

●在1200r/min和0.69Mpa（100psi）下的额定排量USgpm。▲0.5秒内，允许超过最高压力10%的瞬时压力。

●The rated displacement USgpm is under the conditions of 1200r/min and 0.69Mpa(100psi).

▲The instantaneous pressure is allowed to exceed 10% of the Max pressure for within 0.5 seconds long.

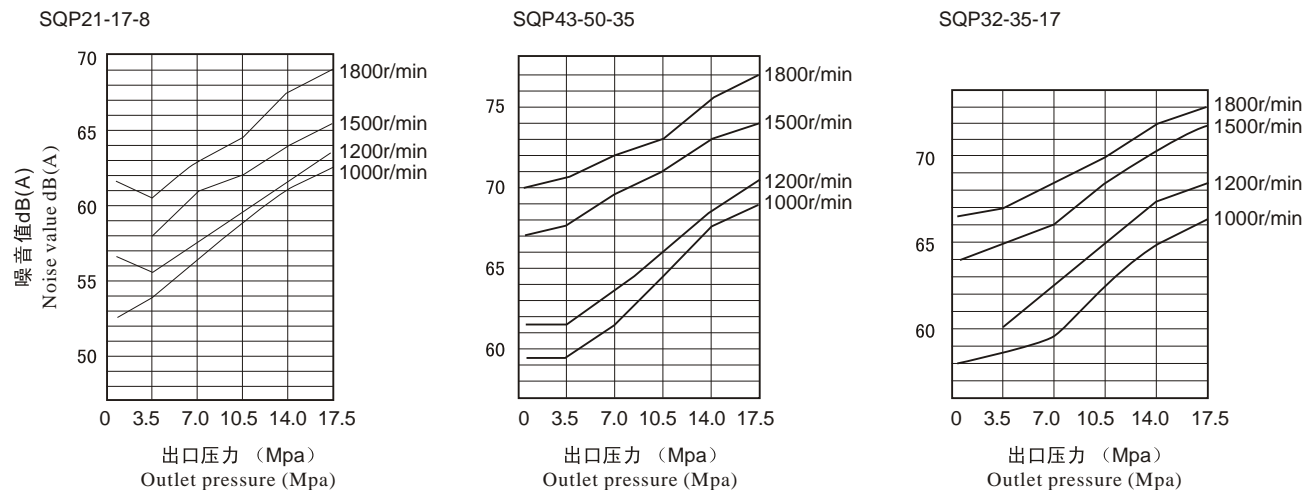


工作参数 Operating parameters

泵壳号 Pump shell No	流量及功率特性 Flow and power features		重量kg Weight kg
	轴端泵 Shaft end pump	盖端泵 Cover end pump	
SQP21	数据与SQP2相同 The same data with SQP2	数据与SQP1相同 The same data with SQP1	31.5kg
SQP31	数据与SQP3相同 The same data with SQP3		46kg
SQP32	数据与SQP3相同 The same data with SQP3	数据与SQP2相同 The same data with SQP2	48kg
SQP41	数据与SQP4相同 The same data with SQP4	数据与SQP1相同 The same data with SQP1	74kg
SQP42		数据与SQP2相同 The same data with SQP2	80kg
SQP43		数据与SQP3相同 The same data with SQP3	88.5kg

噪音数据 测试条件: ISO VG32 (50°C) 距离泵盖1m

Noise data testing conditions: ISOVG32 (50°C) the distance is 1m from pump cover.



使用与维护 Operation and Maintenance

● 液压用油 Hydraulic oil

推荐使用40°C时粘度等级为32-68cst抗磨液压油或带有字母标记SC、SD、SE或SF的汽车曲轴箱油。额定转速和压力下的推荐粘度: 最低13cst、最高54cst、最低49°C、最高65°C。

It is recommended to adopt anti-wear hydraulic fluids with viscosity of 32cst-68cst under the temperature of 40°C, or automobile crankcase oil with alphabetic marks of SC, SD, SE or SF. The recommended viscosity under rated rotation speed and rated pressure should range from 13cst to 54cst with the temperature range of 49°C to 65°C.

● 冷启动 Cold start

当使用SAE10W油在860至54cst范围内工作时, 转速和压力应限制在它们各自额定的50%以内, 直到系统热起来。油液粘度超过860cst启动时要特别注意, 要使整个系统包括远处的缸和马达都热起来。

In the case of adopting SAE 10W type hydraulic oil with viscosity between 860cst and 54cst, the operating rotation speed and pressure shall be limited within 50% of rated rotation speed and rated pressure respectively, until the system warms up. Particular attention should be paid to make sure that the whole system including the cylinder and motor on the far away side shall be all warmed up, when the pump starts up with the hydraulic oil viscosity exceeding 860cst.

● 高温运行 High temperature operation

在高温运行时, 粘度不得低于13cst, 温度不得超过99°C, 因为泵芯组件和密封件的期望寿命将缩短。

While working under high temperature, the viscosity shall not be less than 13cst, and the temperature shall not exceed 99°C. Otherwise, the service lifetime of pump core components and sealing parts will be reduced.

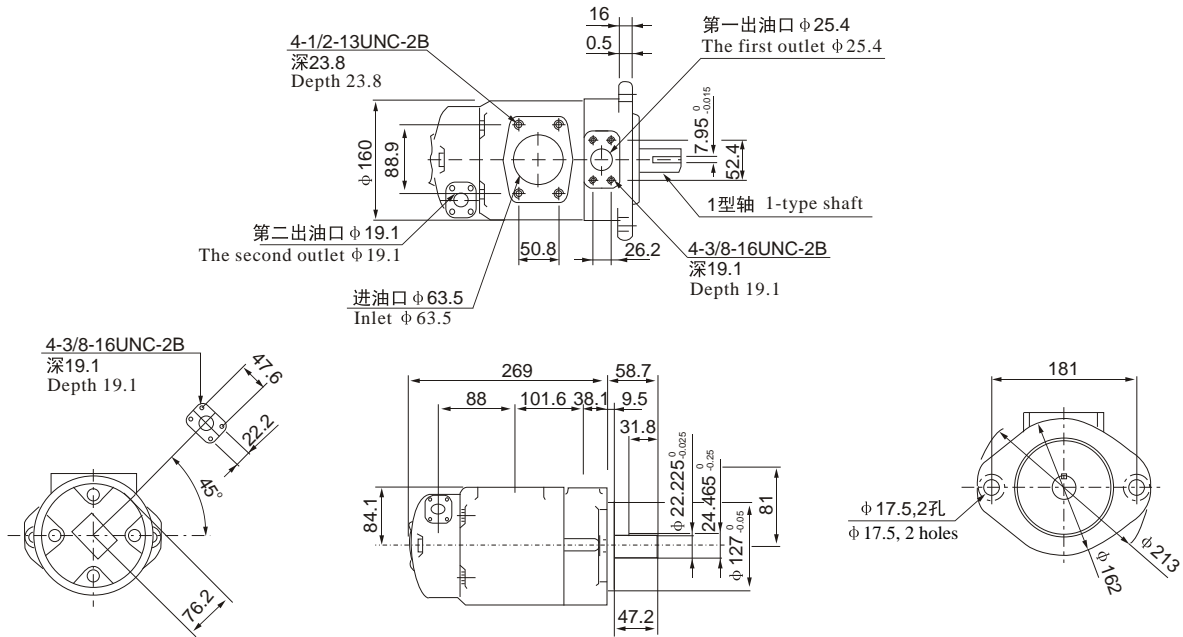
SQP系列叶片泵

SQP series vane pumps



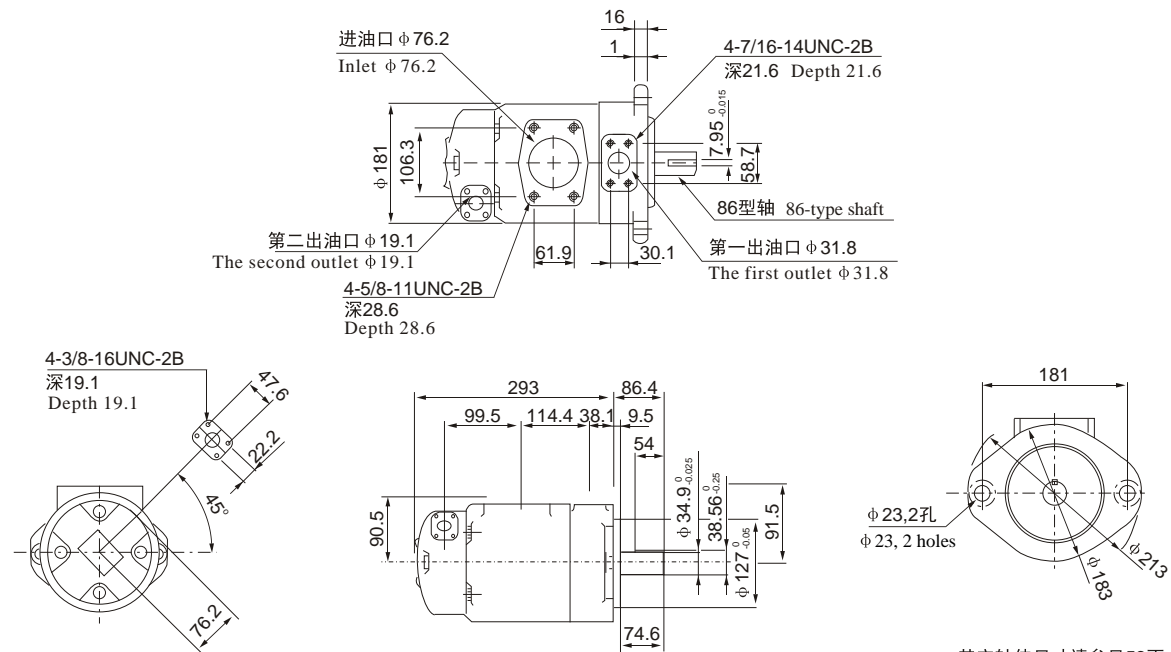
安装连接尺寸 Installation sizes

SQP21法兰安装型 SQP21 Flange mounting



其它轴伸尺寸请参见53页
Please refer to shaft extension sizes in page 53 for rest sizes

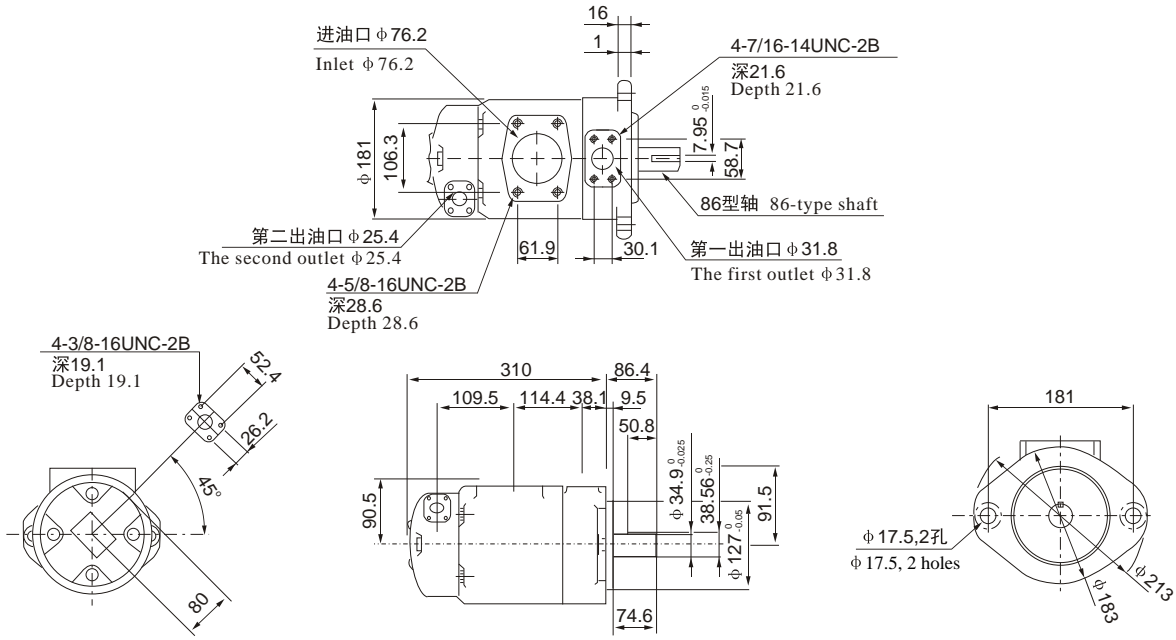
SQP31 法兰安装型 SQP31 Flange mounting



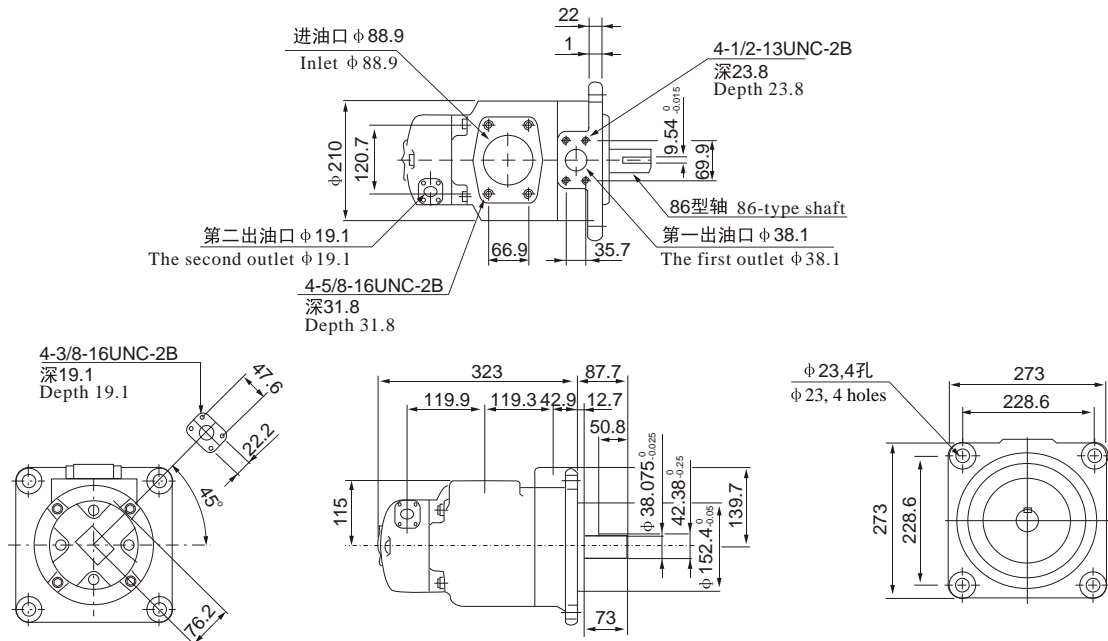
其它轴伸尺寸请参见53页
Please refer to shaft extension sizes in page 53 for rest sizes

安装连接尺寸 Installation sizes

SQP32法兰安装型 SQP32 Flange mounting



SQP41法兰安装型 SQP41 Flange mounting

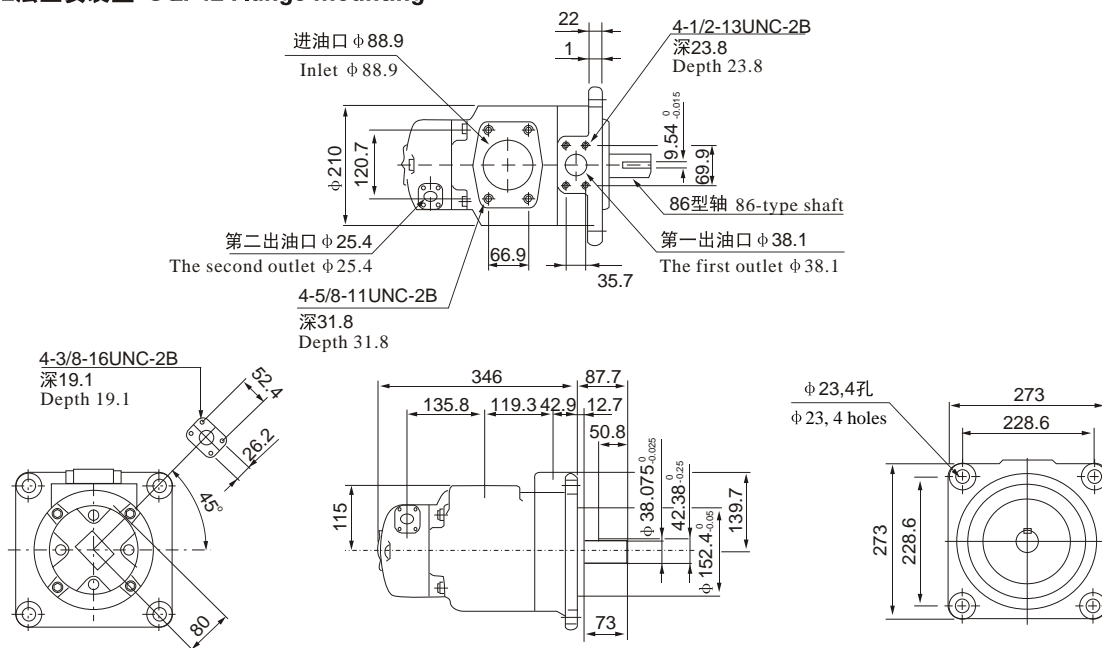


SQP系列叶片泵 SQP series vane pumps



安装连接尺寸 Installation sizes

SQP42法兰安装型 SQP42 Flange mounting



SQP43 法兰安装型 SQP43 Flange mounting

